



IPY-ZY7825LDS2T

8 MP 25X PTZ IR Dual-light PTZ Camera

Built-in Mic & Speaker

Human Tracking and Vehicle Detection



■ Features

- 1/2.8" Sony CMOS sensor
- 4K resolution 3840 x 2160P
- Low illumination 0.01Lux
- 25x optical zoom
- Smart Human and Vehicle Detection Alarm
- Smart Human Motion Auto Tracking
- Day/Night, AWB/MWB, BLC, HLC, 2D/3D-DNR, Shutter, IR-CUT
- D-WDR, Flip, Defogging
- Multiply Style OSD Overlay, Motion Detection, Privacy Mask
- RTSP and Onvif 17.06 compatible with many third-party NVR
- H.264/H.265 dual-stream media server
- Easy-to-use P2P Cloud service
- Support user authentication, video data encryption
- Support Alarm Snapshot to Email and FTP
- Multiply WEB browser IE,Firefox,Chrome,Edge,Safari
- Free PC Client, Mobile APP remote access
- RJ45 100mbps network port, IEEE802.3af 48v PoE
- Lightning protection 4000V
- Strong metal water-proof housing, IP66
- 10 pcs Array Led(6 dual-light Led + 4 laser IR led)
- IR distance 150-180 meters
- Built-in Mic and speaker, two-way audio
- Support audio alarm to warn intruders off
- Support warm light on and colorful imaging when detect human body/vehicle





IPY-ZY7825LDS2T

8 MP 25X PTZ IR Dual-light PTZ Camera

■ Specification

Camera

Image Sensor	1/2.8" Sony CMOS
Effective Pixels	8 megapixels
Electronic Shutter	AUTO, 1/10s ~ 1/100000s
Min. Illumination	0.01Lux@F1.2(AGC ON)
Day/Night	Auto/Color/(B/W)/Timing
WDR	Digital WDR
White Balance	Auto/Manual
BLC /HLC	Support
DNR	2D/3D DNR
Other	Image adjust, Flip

Encode

Video Standard	H.265+/H.265/H.264/MJPEG
Video Resolution	MainStream:20fps@8MP(3840x2160),30fps@6MP(3072x2048)/5MP(2592x1944)/4MP/3MP/1080P/720P,etc.Sub stream: 720x480/VGA(640x480)/360P/QVGA@30fps,etc.Third stream:1080P/720P/CIF@10fps
Video Bitrates	512Kbps - 12Mbps, VBR/CBR
Audio Standard	G.711-u/G.711-a/AAC
Two-way audio	Yes; Built-in Mic and speaker
Smart Detection	Motion Detection Human Detection Vehicle Detection

IR & Warmlight Led

Led	10pcs(6 dual-light Led + 4 laser IR led)
IR Distance	150-180 M

Lens

Focal length	4.8-120mm
IRIS	F1.5-F22
View angle	57.6 - 2.5 °
Zoom	25x optical zoom; support auto tracking

Function

High power PoE, Build in MicroSD Card Slot(Max 512GB), Reset Button

PTZ

Pan/Tilt Range	Pan: 0° ~ 360°; Tilt: -5° ~ 90°
Preset Point	256
Control Speed	Pan: 0.5° ~60° /s; Tilt: 0.5° ~60° /s
A-B Scanning	Support
Auto Cruising	Support 8 groups patrol, Max. 16 presets in group
Power on Action	Preset/Scan/Cruise
Power-off Recovery	Support
Smart Tracking	Human Detection Tracking together with patrol

Network Services

Protocol	HTTP/RTSP/FTP/SMTP/DHCP/NTP/NFS/RTMP, etc.
P2P	Yes
Web	IE, Firefox, Chrome, Edge, Safari
Media	CMS, Android, IOS
ONVIF	17.06 compatible

General

Network Port	1-RJ45, 100Mbps, PoE+ 48V in
Power Supply	12 VDC ± 10% 3A
Power Consumption	< 25 W
Operating Temp.	-30°C-(+60)°C, 10%-90%RH





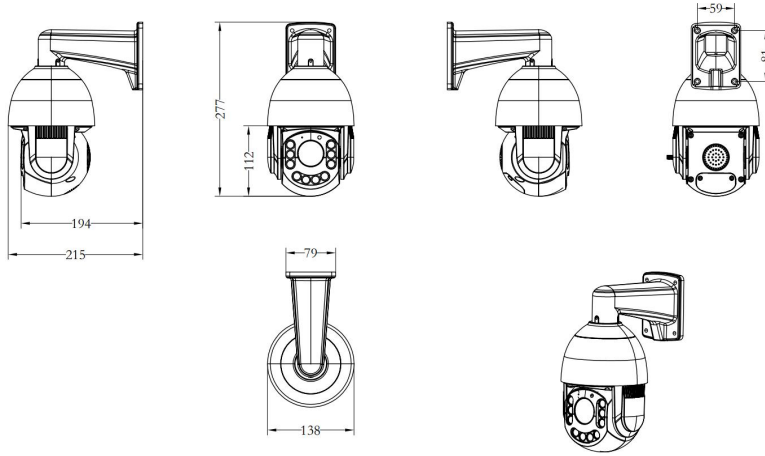
IPY-ZY7825LDS2T
8 MP 25X PTZ IR Dual-light PTZ Camera

■ **Available Model**

IPY-ZY7820LDS2T (Zoom 20X)

IPY-ZY7825LDS2T (Zoom 25X)

■ **Dimension**

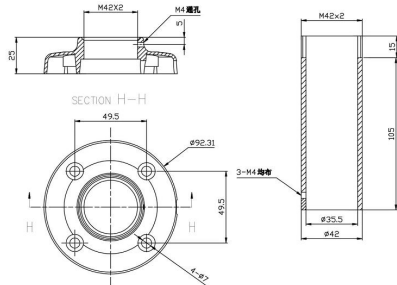


■ **Accessory**

■ **Optional**



■ **Ceiling mount: (optional)**



Uin Technology Co., Ltd.

+86-871 63586112

www.uin-tech.com

4F,Block 7 Lijincheng High Tech Garden,Longhua District,Shenzhen China

