



# Network Speed Dome

## Quick Start Guide

## **Table of Contents**

**English 21**

**Polski 48**

**Français 24**

**Română 50**

**Deutsch 26**

**Slovenčina 53**

**Español 29**

**Bahasa Indonesia 55**

**Italiano 32**

**မြန်မာ 58**

**Português 34**

**Türkçe 63**

**Nederlands 37**

**Русский 65**











**Čeština 40**

**Українська 68**

**Dansk 42**

**العربية 71**

**Magyar 45**

	<p>Notice/ Attention/ Hinweis/ Aviso/ Avviso/ Aviso/ Mededeling/ Poznámka/ Meddelelse/ Utasítás/ Uwaga/ Informare/ Poznámka/ Pemberitahuan/ အသိပေးချက်/ Dikkat/Примечание/Примітка</p>
	<p>Warning/ Avertissement/ Warnhinweis/ Advertencia/ Avvertenza/ Advertência/ Waarschuwing/ Varování/ Advarsel/ Figyelmeztetés/ Ostrzeżenie/ Avertisment/ Výstraha/ Peringatan/ သတိပေးချက်/ Уваги/Внимание/Увага</p>
	<p>Forbidden/ Interdit/ Verboden/ Prohibidas/ Non consentito/ Proibido/ Verboden/ Zakázáno/ Forbudt/ Tilos/ Zabranióne/ Interzis/ Zakázané/ Dilarang/ တားမြစ်ချက်/ Yasak/Запрещено/Заборонено</p>
	<p>Correct/ Correct/ Richtig/ Correcto/ Corretto/ Correto/ Juist/ Správně/ Korrekt/ Helyes/ Prawidłowo/ Corect/ Správné/ Benar/ မှန်သည်/ Doğru/Правильно/Правильно</p>
	<p>Incorrect/ Incorrect/ Falsch/ Incorrecto/ Non corretto/ Incoretto/ Onjuist/ Nesprávně/ Forkert/ Helytelen/ Nieprawidłowo/ Incorect/ Nesprávne/ Salah/ မမှန်ပါ/ Yanlış/Неправильно/Неправильно</p>
	<p>Turn to step A and continue./ Revenez à l'étape A et continuez./ Gehen Sie zu Schritt A und fahren Sie fort./ Pase la página al paso A y continúe./ Tornare al passaggio A e continuare./ Virar para o passo A e continuar./ Ga naar stap A en ga door./ Přejděte na krok A a pokračujte./ Spring over til trin A, og fortsæt./ Folytassa az A lépéstől./ Przejdź do kroku A i kontynuuj./ Treceți la pasul A și continuați./ Přejďte na krok A a pokračujte./ Ikuti langkah A dan lanjutkan./ အဆင့် A သို့ ပြောင်းပြီး ဆက်လုပ်ပါ။/ A adimna dõnup devam edin./ Перейдите к шагу A и продолжите./ Перейдіть до кроку A і продовжуйте.</p>
	<p>* Not necessarily included. /Variable accessory amount. /Skip this step if not required.  Pas nécessairement inclus. /Nombre variable d'accessoires. /Ignorez cette étape si elle n'est pas nécessaire.  Nicht unbedingt mitgeliefert. /Variabler Zubehörfumfang. /Überspringen Sie diesen Schritt, wenn er nicht erforderlich ist.  No necesariamente incluido. /Cantidad variable del accesorio. /Omita este paso si no fue necesario.  Non necessariamente incluso. /Quantità dell'accessorio variabile. /Saltare questo passaggio se non necessario.  Não necessariamente incluído. /Quantidade variável de acessórios. /Ignore este passo se não for necessário.  Niet per se inbegrepen. /Variabel aantal accessoires. /Sla deze stap over als deze niet is vereist.  Nemusi být součástí dodávky. /Variabilní počet příslušenství. /Přeskočit tento krok, pokud není vyžadován.  Medfølger ikke altid. /Variabelt antal tilbehør. /Spring dette trin over, hvis det ikke er nødvendigt.  Nem feltétlenül tartalmazza. /Változó mennyiségű tartozék. /Ha nem szükséges, hagyja ki ezt a lépést.  Opcjonalnie uwzględniane w pakiecie z produktem. /Zmienna liczba akcesoriów. /Pomiń ten krok, jeżeli nie jest wymagany.  Nu este inclus în mod necesar. /Număr variabil de accesorii. /Omiteți acest pas dacă nu este necesar.  Nemusi byť nevyhnutne priložené. /Premennivé množstvo príslušenstva. /Tento krok je možné vynechať, ak nie je nutný.  Belum tentu disertakan. /Jumlah aksesorì dapat beragam. /Lewati langkah ini jika tidak diperlukan.  ဝင်ရင်း မသေချာပါ။ /ပြောင်းလဲနိုင်သော အပိုပစ္စည်း မဟာဏ။ /မလိုအပ်ပါက ဤအဆင့်ကို ကျော်လွှတ်ပါ။  Bu ürün olmayabilir. /Farklı aksesuar miktarı. /Gerekli değilse bu adımı atlayın.  Эта принадлежность может отсутствовать в комплекте поставки. /Количество принадлежностей зависит от модели устройства. /Пропустите этот шаг, если он не требуется.  Može biti відсутнім. /Аксесуар перемінної кількості. /Пропустіть цей крок, якщо не потрібно.</p>
	<p>Grounding/ Mise à la terre/ Erdung/ Conexión a tierra/ Messa a terra/ Ligação à terra/ Aarding/ Uzemnění/ Jordforbindelse/ Földelés/ Masa/uziemienie/ Ímpământare/ Uzemnenie/ Pentanahan/ မြေစိုက်/ Topraklama/Заземление/Заземлення</p>
	<p>Disposal/ Mise au rebut/ Entsorgung/ Eliminación/ Smaltimento/ Eliminação/ Afvoer/ Likvidace/ Bortskaffelse/ Hulladék/ Utylizacja/ Eliminarea/ Likvidácia/ Pembuangan/ စွန့်ပစ်ခြင်း/ Atma/Утилизация/Утилізація</p>
	<p>Purchase separately/À acheter séparément/ Separat erhältlich/ Se vende por separado/ Acquistabile separatamente/ Compré separatamente/ Afzonderlijk aankopen/ K zakopeni samostatně/ Skal købes separat/ Kùlön vásárolható meg/ Nabywane oddzielnie/ Cumpărați separat/ Kupuje sa samostatne/ Dijual terpisah/ သီးခြား ဝယ်ယူသည်/ Аyrıca satın alın/Приобретается отдельно/Придбати окремо</p>



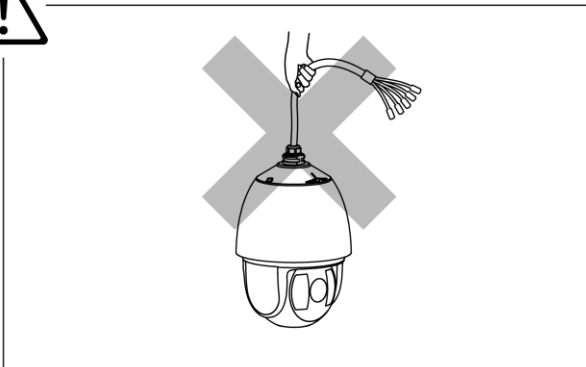
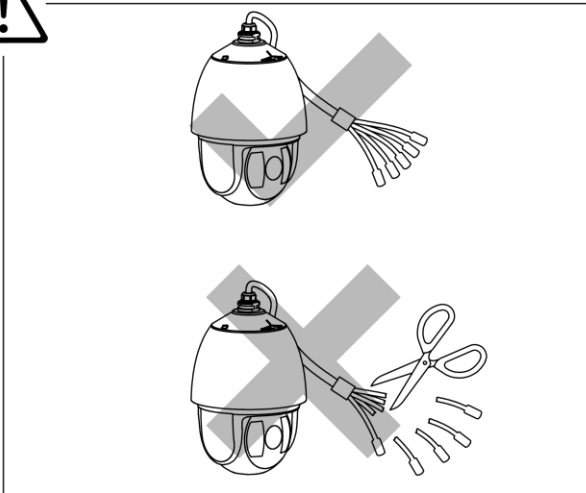
Waterproof material/ Matériel résistant à l'eau/ Wasserfestes Material/ Material a prueba de agua/ Materiale impermeabile/ Material impermeável/ Waterproof materiaal/ Voděodolný materiál/ Vandtæt materiale/ Vízálló anyag/ Materiał wodoodporny/ Material impermeabil/ Vodotesný materiál/ Bahan tahan air/ ရေစိမ့်သော ပစ္စည်း/ Su geçirmez malzeme/ Водонепроницаемый материал/ Водостойкий материал

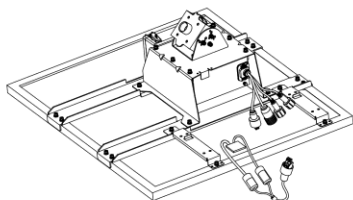


Possible options/ Options possibles/ Mögliche Optionen/ Opciones posibles/ Opzioni disponibili/ Opções possíveis/ Beschikbare opties/ Možné voľby/ Mulige indstillinger/ Lehetséges opciók/ Možliwe opcje/ Opțiuni posibile/ Dostupné možnosti/ Opsi yang mungkin/ ဖြစ်နိုင်သော ရွေးချယ်စရာများ/ Olası seçenekler/ Возможные опции/ Можливі опції

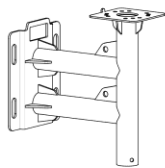


Other options/ Autres options/ Sonstige Optionen/ Otras opciones/ Altre opzioni/ Outras opções/ Overige opties/ Jiné voľby/ Andre indstillinger/ Egyéb opciók/ Inne opcje/ Alte opțiuni/ Iné možnosti/ Opsi lain/ အခြား ရွေးချယ်စရာများ/ Diğer seçenekler/ Другие опции/ Інші опції





1x



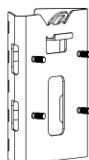
1x



4x



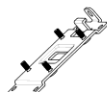
1x



1x



5x



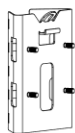
1x



1x



1x



1x



3x

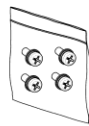


1x



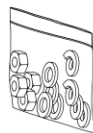
HSFM6×18

1x



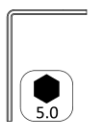
PSFM4×10

1x

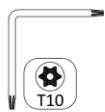


M10

1x



1x



1x



1x



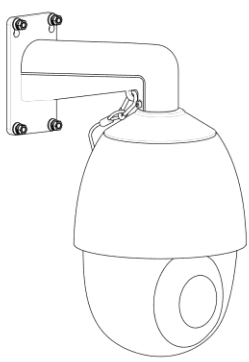
1x



15x



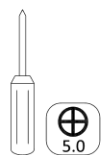
2x\*



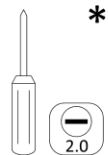
17mm



20mm



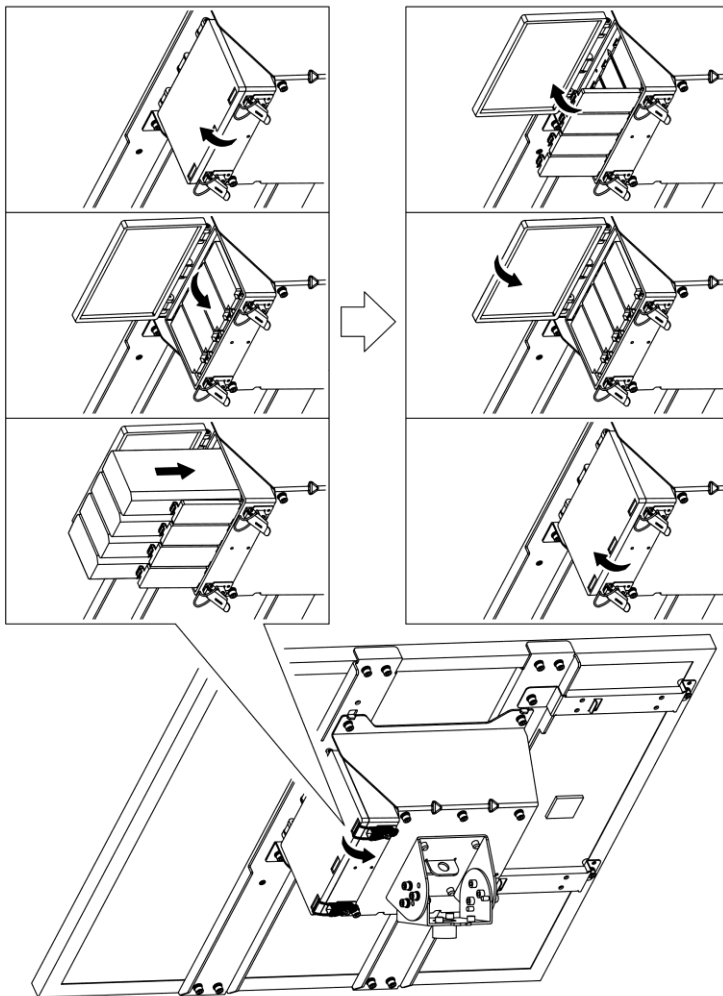
5.0



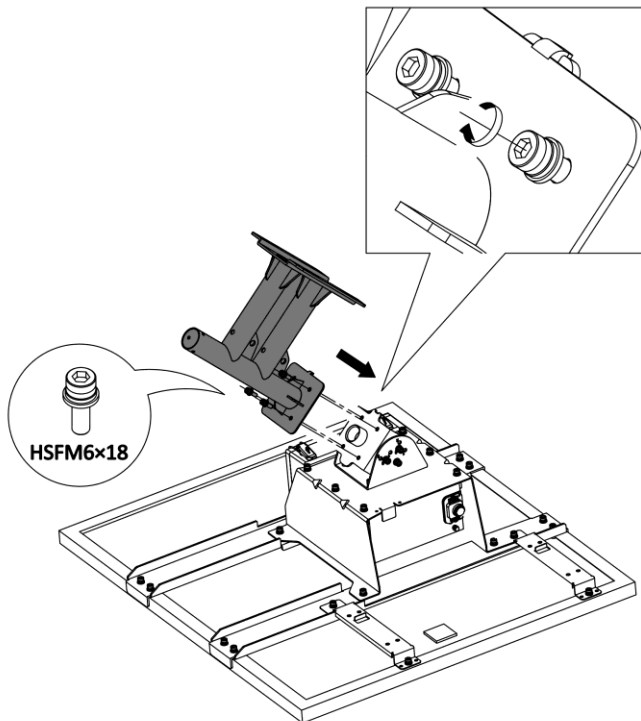
2.0

\*

# 1.1

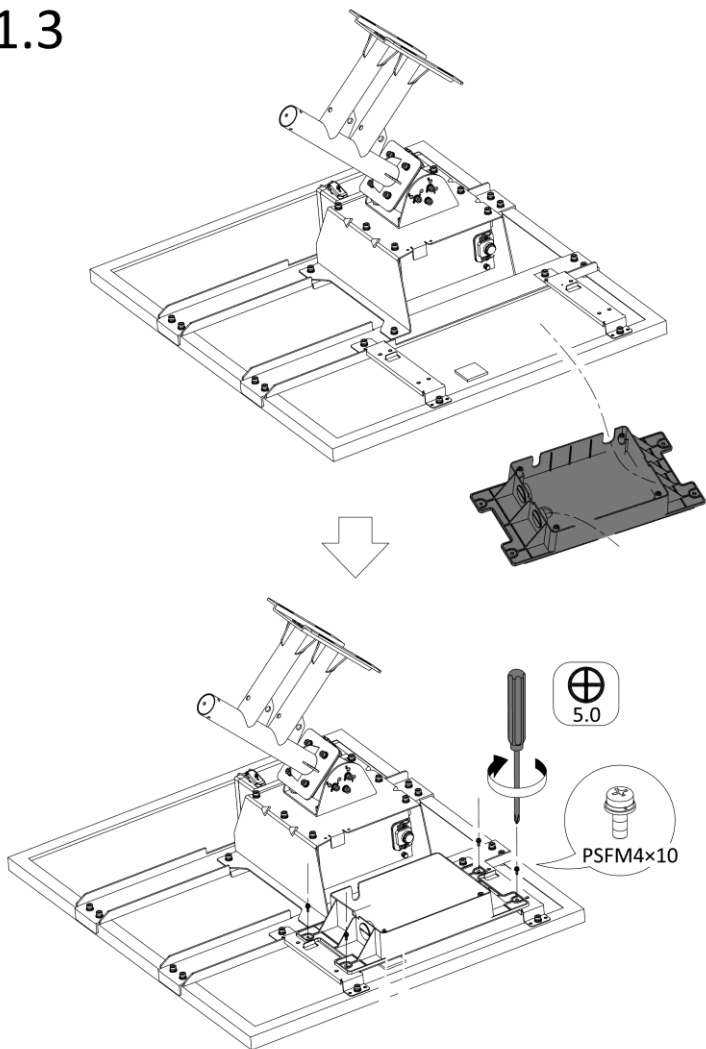


# 1.2

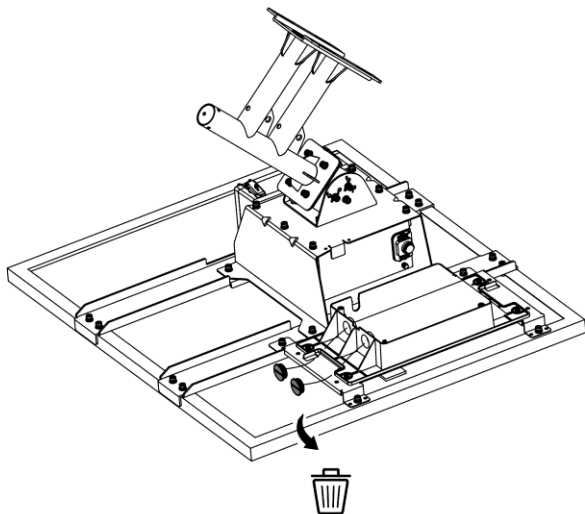




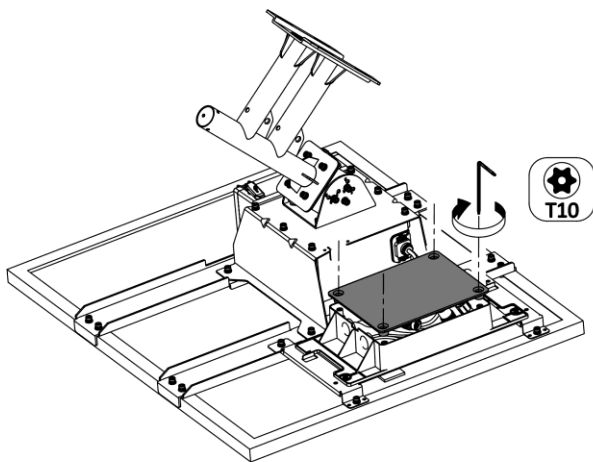
# 1.3



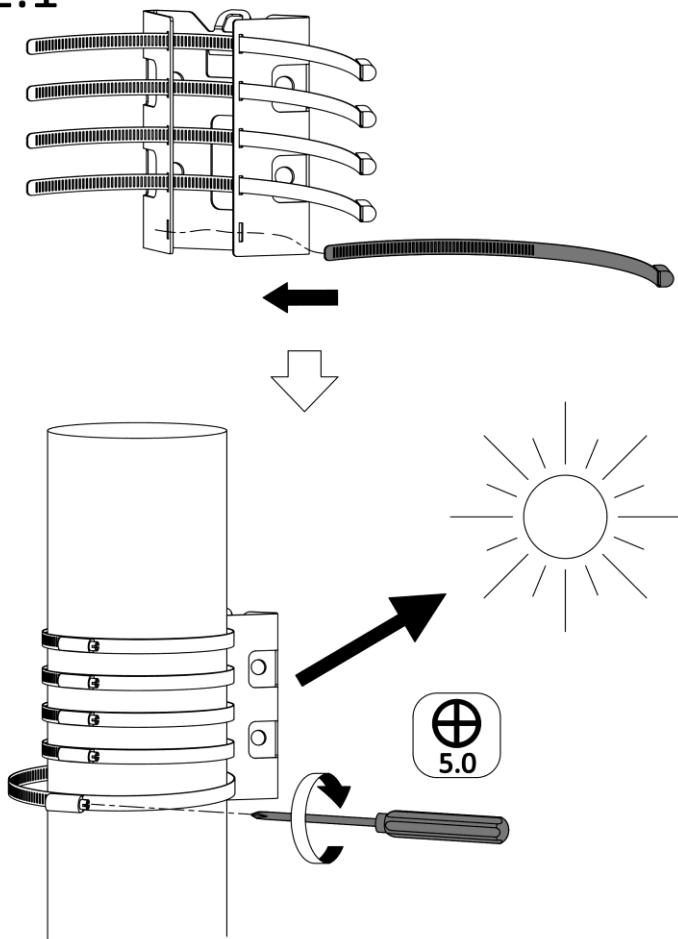
# 1.4



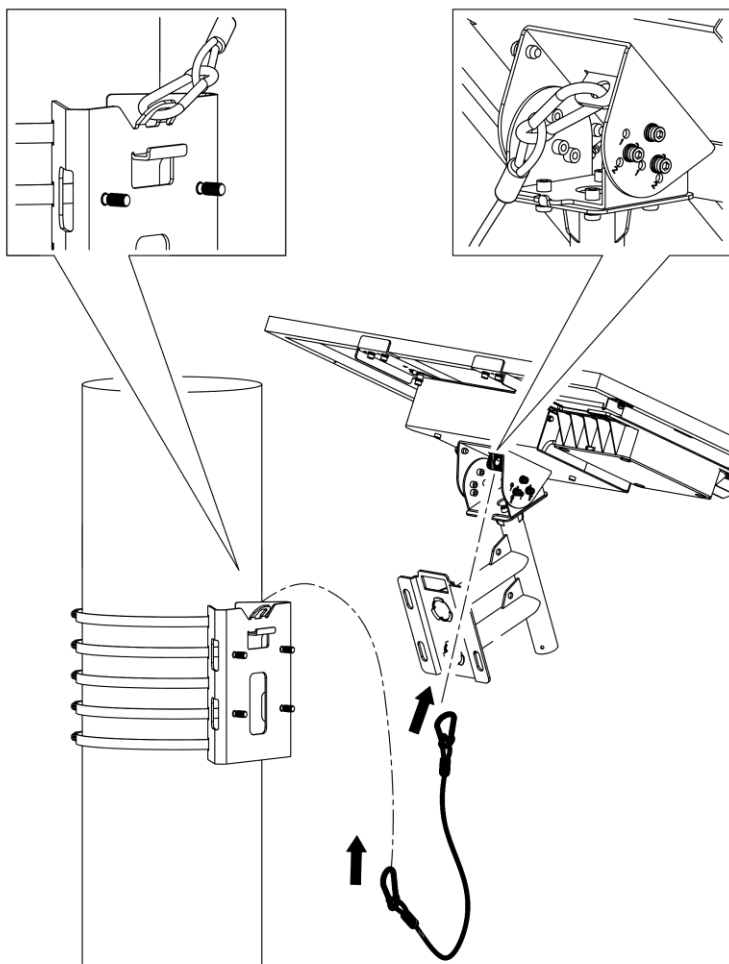
# 1.5



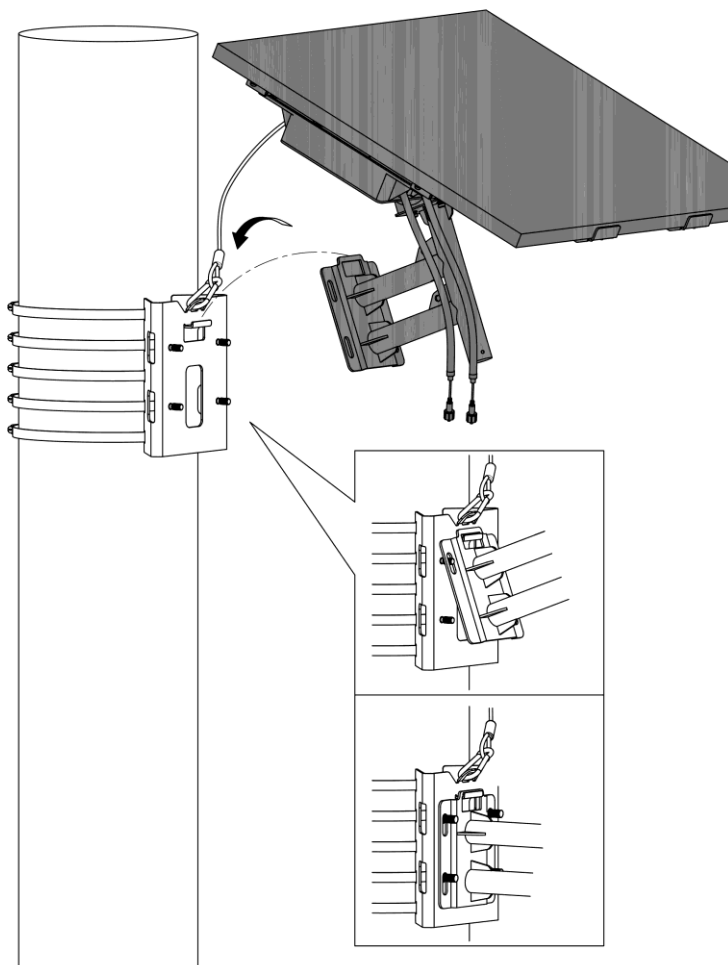
2.1



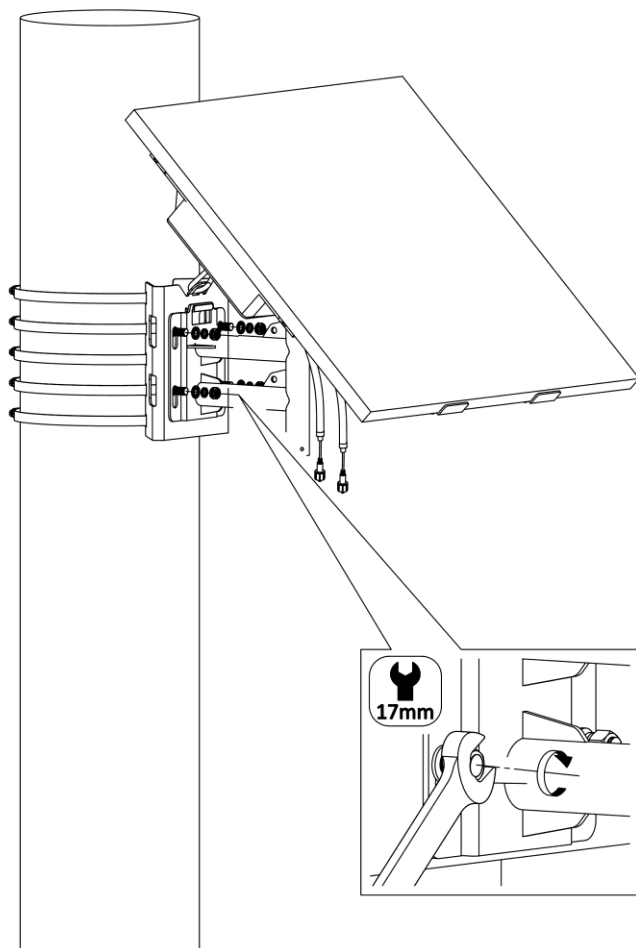
## 2.2



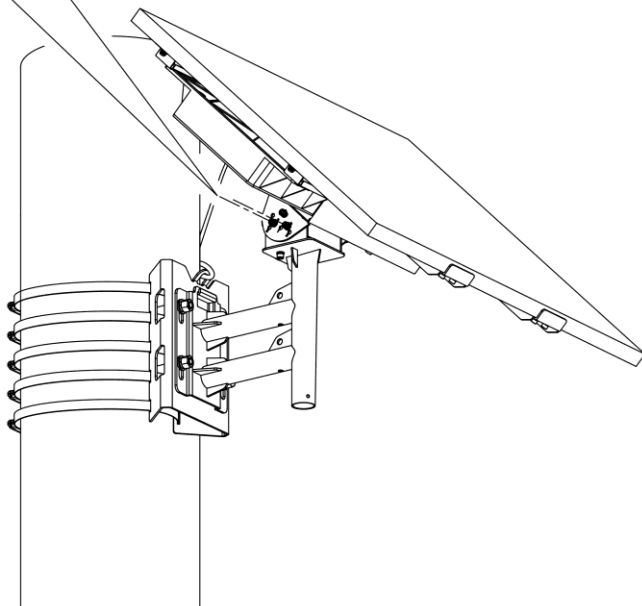
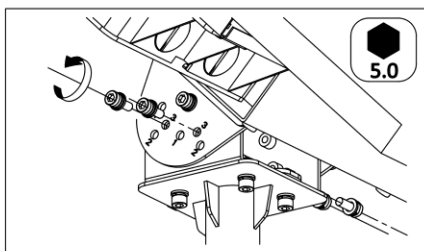
## 2.3



## 2.4

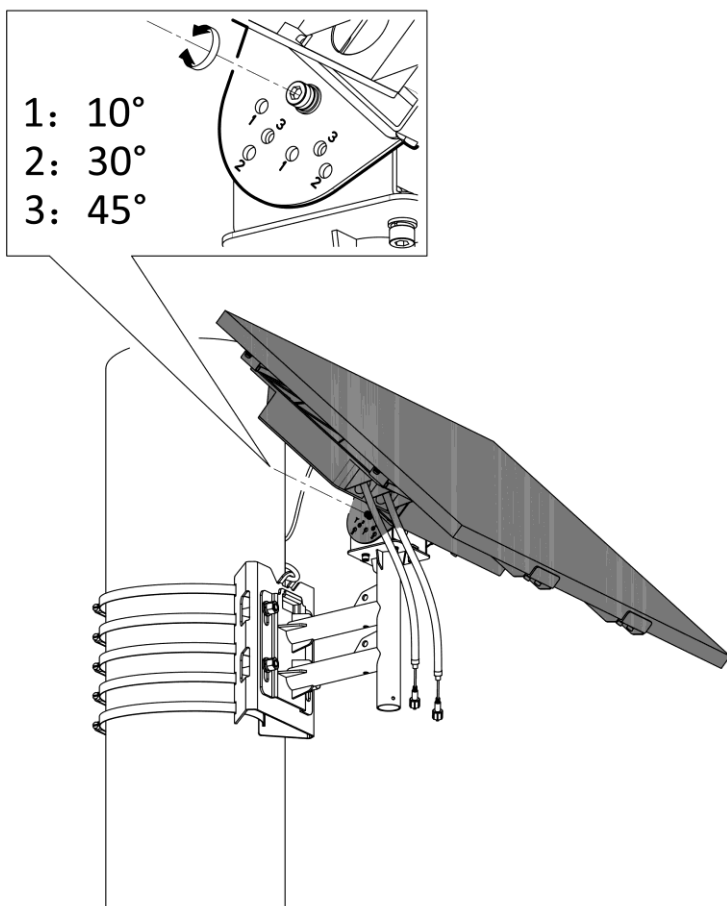


# 3.1

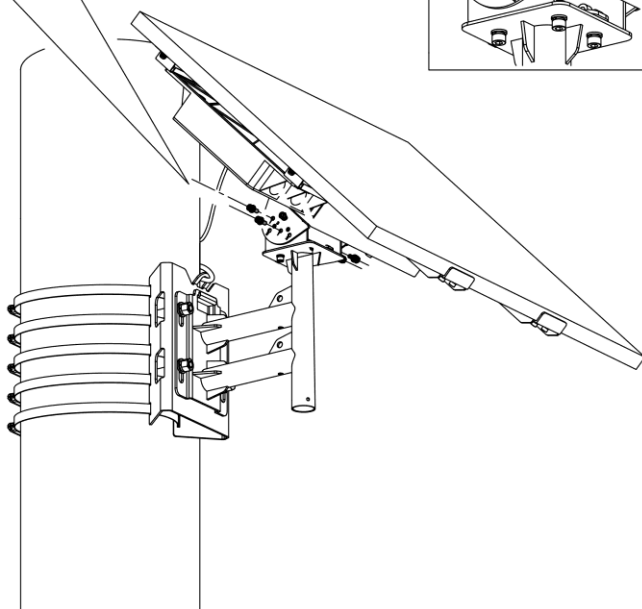
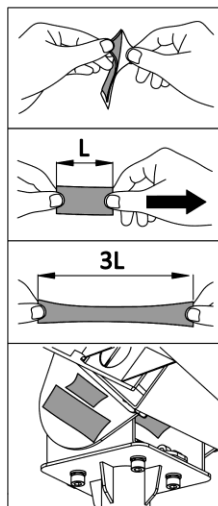
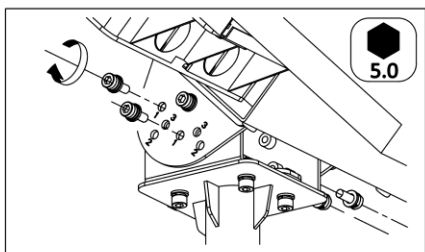
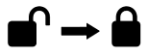




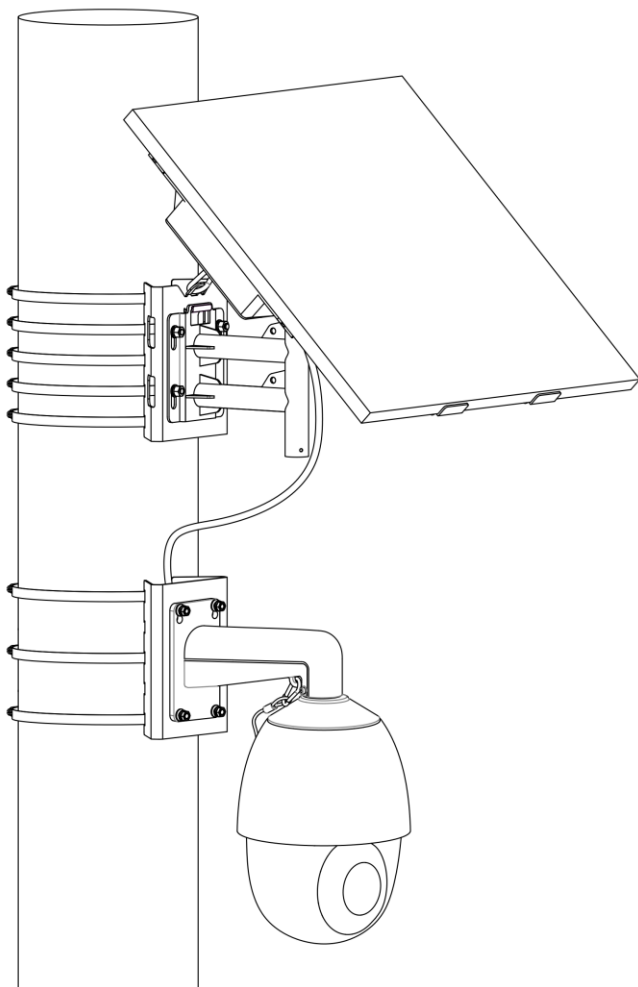
## 3.2

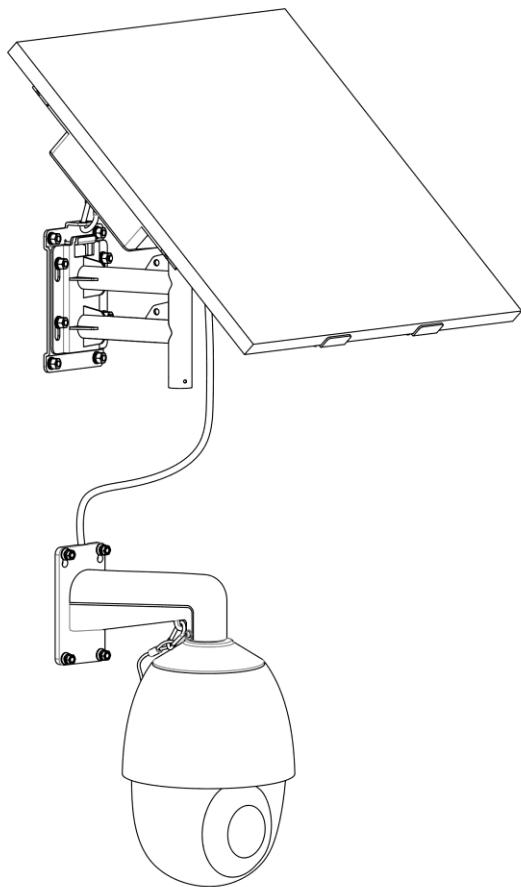


# 3.3



### 3.4







Protective Measures for Outdoor Installation



Activate and Access Network Camera



Product appearance is for reference only and may differ from the actual product.

© 2023 Hangzhou Hikvision Digital Technology Co., Ltd. All rights reserved.

**About this Manual**

The Manual includes instructions for using and managing the Product. Pictures, charts, images and all other information hereinafter are for description and explanation only. The information contained in the Manual is subject to change, without notice, due to firmware updates or other reasons. Please find the latest version of this Manual at the Hikvision website (<https://www.hikvision.com/>).

Please use this Manual with the guidance and assistance of professionals trained in supporting the Product.

**Trademarks**

**HIKVISION** and other Hikvision's trademarks and logos are the properties of Hikvision in various jurisdictions.

Other trademarks and logos mentioned are the properties of their respective owners.

**DISCLAIMER**

TO THE MAXIMUM EXTENT PERMITTED BY APPLICABLE LAW, THIS MANUAL AND THE PRODUCT DESCRIBED, WITH ITS HARDWARE, SOFTWARE AND FIRMWARE, ARE PROVIDED "AS IS" AND "WITH ALL FAULTS AND ERRORS". HIKVISION MAKES NO WARRANTIES, EXPRESS OR IMPLIED, INCLUDING WITHOUT LIMITATION, MERCHANTABILITY, SATISFACTORY QUALITY, OR FITNESS FOR A PARTICULAR PURPOSE. THE USE OF THE PRODUCT BY YOU IS AT YOUR OWN RISK. IN NO EVENT WILL HIKVISION BE LIABLE TO YOU FOR ANY SPECIAL, CONSEQUENTIAL, INCIDENTAL, OR INDIRECT DAMAGES, INCLUDING, AMONG OTHERS, DAMAGES FOR LOSS OF BUSINESS PROFITS, BUSINESS INTERRUPTION, OR LOSS OF DATA, CORRUPTION OF SYSTEMS, OR LOSS OF DOCUMENTATION, WHETHER BASED ON BREACH OF CONTRACT, TORT (INCLUDING NEGLIGENCE), PRODUCT LIABILITY, OR OTHERWISE, IN CONNECTION WITH THE USE OF THE PRODUCT, EVEN IF HIKVISION HAS BEEN ADVISED OF THE POSSIBILITY OF SUCH DAMAGES OR LOSS.

YOU ACKNOWLEDGE THAT THE NATURE OF THE INTERNET PROVIDES FOR INHERENT SECURITY RISKS, AND HIKVISION SHALL NOT TAKE ANY RESPONSIBILITIES FOR ABNORMAL OPERATION, PRIVACY LEAKAGE OR OTHER DAMAGES RESULTING FROM CYBER-ATTACK, HACKER ATTACK, VIRUS INFECTION, OR OTHER INTERNET SECURITY RISKS; HOWEVER, HIKVISION WILL PROVIDE TIMELY TECHNICAL SUPPORT IF REQUIRED.

YOU AGREE TO USE THIS PRODUCT IN COMPLIANCE WITH ALL APPLICABLE LAWS, AND YOU ARE SOLELY RESPONSIBLE FOR ENSURING THAT YOUR USE CONFORMS TO THE APPLICABLE LAW. ESPECIALLY, YOU ARE RESPONSIBLE, FOR USING THIS PRODUCT IN A MANNER THAT DOES NOT INFRINGE ON THE RIGHTS OF THIRD PARTIES, INCLUDING WITHOUT LIMITATION, RIGHTS OF PUBLICITY, INTELLECTUAL PROPERTY RIGHTS, OR DATA PROTECTION AND OTHER PRIVACY RIGHTS. YOU SHALL NOT USE THIS PRODUCT FOR ANY

PROHIBITED END-USES, INCLUDING THE DEVELOPMENT OR PRODUCTION OF WEAPONS OF MASS DESTRUCTION, THE DEVELOPMENT OR PRODUCTION OF CHEMICAL OR BIOLOGICAL WEAPONS, ANY ACTIVITIES IN THE CONTEXT RELATED TO ANY NUCLEAR EXPLOSIVE OR UNSAFE NUCLEAR FUEL-CYCLE, OR IN SUPPORT OF HUMAN RIGHTS ABUSES.

IN THE EVENT OF ANY CONFLICTS BETWEEN THIS MANUAL AND THE APPLICABLE LAW, THE LATTER PREVAILS.

**Regulatory Information**

**These clauses apply only to the products bearing the corresponding mark or information.**

**EU/UK Compliance Statement**

**CE** This product and - if applicable - the supplied accessories too are marked with "CE" and comply therefore with the applicable harmonized European standards listed under the Directive 2014/30/EU (EMCD), Directive 2014/35/EU (LVD), Directive 2011/65/EU (RoHS).

**UK CA** This product and - if applicable - the supplied accessories too are marked with "UKCA" and comply therefore with the following directives: Radio Equipment Regulations 2017, Electromagnetic Compatibility Regulations 2016, Electrical Equipment (Safety) Regulations 2016, the Restriction of the Use of Certain Hazardous Substances in Electrical and Electronic Equipment Regulations 2012.

Hereby, Hangzhou Hikvision Digital Technology Co., Ltd. declares that this device (refer to the label) is in compliance with Directive 2014/53/EU. The full text of the EU declaration of conformity is available at the following internet address: <https://www.hikvision.com/europe/support/download/declaration-of-conformity/>.

For the device without a supplied power adapter, use the power adapter provided by a qualified manufacturer. Refer to the product specification for detailed power requirements.

For the device without a supplied battery, use the battery provided by a qualified manufacturer. Refer to the product specification for detailed battery requirements.

**Frequency Bands and Power (for CE/UKCA)**

The frequency bands and transmitting power (radiated and/or conducted) nominal limits applicable to the following radio equipment are as follows:

**EXPOSURE TO RADIOFREQUENCY RF**

Apply to the following device model:

DS-2DE\*4G\*

The frequency band and mode and the nominal limits of transmitted power (radiated and/or conducted) applicable to this radio device are the following:

Wi-Fi 2.4 GHz (2.4 GHz - 2.4835 GHz)	20 dBm
GSM850: 824 – 849	32.5±1 dBm

MHz	
GSM900: 880 – 915 MHz	32.5±1 dBm
DCS1800: 1710 – 1785 MHz	29.5±1 dBm
WCDMA Band I: 1920 – 1980 MHz	23.5±1 dBm
WCDMA Band V: 824 – 849 MHz	23.5±1 dBm
WCDMA Band VIII: 880 – 915 MHz	23.5±1 dBm
LTE Band 1: 1920 – 1980 MHz	23±1 dBm
LTE Band 3: 1710 – 1785 MHz	23±1 dBm
LTE Band 5: 824 – 849 MHz	23±1 dBm
LTE Band 7: 2500 – 2570 MHz	23±1 dBm
LTE Band 8: 880 – 915 MHz	23±1 dBm
LTE Band 20: 832 – 862 MHz	23±1 dBm
LTE Band 28: 703 – 748 MHz	23±1 dBm
LTE Band 38: 2570 – 2620 MHz	23±1 dBm
LTE Band 40: 2300 – 2400 MHz	23±1 dBm
LTE Band 41: 2555 – 2655 MHz	23±1 dBm

Note: Some models are only supported to work on specific Wi-Fi channels. Refer to datasheet for details.



2012/19/EU (WEEE directive): Products marked with this symbol cannot be disposed of as unsorted municipal waste in the European Union. For proper recycling,

return this product to your local supplier upon the purchase of equivalent new equipment, or dispose of it at designated collection points. For more information see: [www.recyclethis.info](http://www.recyclethis.info)

According to the Waste Electrical and Electronic Equipment Regulations 2013: Products marked with this symbol cannot be disposed of as unsorted municipal waste in the United Kingdom. For proper recycling, return this product to your local supplier upon the purchase of equivalent new equipment, or dispose of it at designated collection points. For more information see: [www.recyclethis.info](http://www.recyclethis.info).



2006/66/EC and its amendment 2013/56/EU (battery directive): This product contains a battery that cannot be disposed of as unsorted municipal waste in the European

Union. See the product documentation for specific battery information. The battery is marked with this symbol, which may include lettering to indicate cadmium (Cd), lead (Pb), or mercury (Hg). For proper recycling, return the battery to your supplier or to a

designated collection point. For more information see: [www.recyclethis.info](http://www.recyclethis.info).

According to the Batteries and Accumulators (Placing on the Market) Regulations 2008 and the Waste Batteries and Accumulators Regulations 2009: This product contains a battery that cannot be disposed of as unsorted municipal waste in the United Kingdom. See the product documentation for specific battery information. The battery is marked with this symbol, which may include lettering to indicate cadmium (Cd), lead (Pb), or mercury (Hg). For proper recycling, return the battery to your supplier or to a designated collection point. For more information see: [www.recyclethis.info](http://www.recyclethis.info).

### Industry Canada ICES-003 Compliance

This device meets the CAN ICES-003 (B)/NMB-003 (B) standards requirements.

This device complies with Industry Canada licence-exempt RSS standard(s). Operation is subject to the following two conditions:

- (1) this device may not cause interference, and
- (2) this device must accept any interference, including interference that may cause undesired operation of the device.

Le présent appareil est conforme aux CNR d'Industrie Canada applicables aux appareils radioexempts de licence. L'exploitation est autorisée aux deux conditions suivantes :

- (1) l'appareil ne doit pas produire de brouillage, et
- (2) l'utilisateur de l'appareil doit accepter tout brouillage radioélectrique subi, même si le brouillage est susceptible d'en compromettre le fonctionnement.

This equipment complies with IC RSS-102 radiation exposure limits set forth for an uncontrolled environment. This equipment should be installed and operated with minimum distance 20cm between the radiator & your body.

ce matériel est conforme aux limites de dose d'exposition aux rayonnements, CNR-102 énoncée dans un autre environnement.cette équipement devrait être installé et exploité avec distance minimale de 20 entre le radiateur et votre corps.

### KC

B급 기기: 이 기기는 가정용(B급) 전자파적합기기로서 주로 가정에서 사용하는 것을 목적으로 하며, 모든 지역에서 사용할 수 있습니다.

### Safety Instruction



Warnings

## Laws and Regulations

The device should be used in compliance with local laws, electrical safety regulations, and fire prevention regulations.

## Electrical Safety

**CAUTION:** To reduce the risk of fire, replace only with the same type and rating of fuse.

This equipment shall be installed incorporated with UPS to avoid the risk of restart.

## Battery

This equipment is not suitable for use in locations where children are likely to be present.

**CAUTION:** Risk of explosion if the battery is replaced by an incorrect type.

Improper replacement of the battery with an incorrect type may defeat a safeguard (for example, in the case of some lithium battery types).

Do not dispose of the battery into fire or a hot oven, or mechanically crush or cut the battery, which may result in an explosion.

Do not leave the battery in an extremely high temperature surrounding environment, which may result in an explosion or the leakage of flammable liquid or gas.

Do not subject the battery to extremely low air pressure, which may result in an explosion or the leakage of flammable liquid or gas.

Dispose of used batteries according to the instructions.



## Cautions

### Fire Prevention

No naked flame sources, such as lighted candles, should be placed on the equipment.

The serial port of the equipment is used for debugging only.

### Hot Surface

**CAUTION:** Hot parts! Burned fingers when handling the parts.

This sticker is to indicate that the marked item can be hot and should not be touched without taking care. Wait one-half hour after switching off before handling parts.

The device with this sticker is intended for installation in a restricted access location. Access can only be gained by service persons or by users who have been instructed about the reasons for the restrictions applied to the location and about any precautions that shall be taken.

### Installation

Install the equipment according to the instructions in this manual.

To prevent injury, this equipment must be securely attached to the ceiling/wall in accordance with the installation instructions.

Be sure that there is enough space to install the device and accessories.

Make sure that the wall is strong enough to withstand at least 8 times the weight of the device and the mount.

Make sure that the power has been disconnected before you wire, install, or disassemble the device.

## Transportation

Keep the device in original or similar packaging while transporting it.

Do not drop the product or subject it to physical shock.

## Power Supply

The power source should meet limited power source or PS2 requirements according to IEC 60950-1 or IEC 62368-1 standard.

Refer to the device label for the standard power supply. Please make sure your power supply matches with your device.

Use a power adapter provided by qualified manufacturers. It is recommended to provide an independent power adapter for each device as adapter overload may cause over-heating or a fire hazard.

## System Security

Please understand that you have the responsibility to configure all the passwords and other security settings about the device, and keep your user name and password.

## Maintenance

If the product does not work properly, please contact your dealer or the nearest service center. We shall not assume any responsibility for problems caused by unauthorized repair or maintenance.

A few device components (e.g., electrolytic capacitor) require regular replacement. The average lifespan varies, so periodic checking is recommended. Contact your dealer for details.

## Cleaning

Please use a soft and dry cloth to clean the interior and exterior surfaces. Do not use alkaline detergents.

## Using Environment

When any laser equipment is in use, make sure that the device lens is not exposed to the laser beam, or it may burn out.

Do not aim the lens at the sun or any other bright light.

To avoid heat accumulation, good ventilation is required for a proper operating environment.

DO NOT expose the device to extremely hot, cold, dusty, corrosive, saline-alkali, or damp environments.

For outdoor devices, the working temperature shall be -30°C to 65°C (-22°F to 149°F) and the working humidity shall be lower than 90%. For indoor devices, the working temperature shall be -10°C to 50°C (-14°F to 122°F) and the working humidity shall be lower than 90%.

DO NOT expose the device to high electromagnetic radiation.

## Illuminator

Make sure that there is no reflective surface too close to the device lens. The light from the device may reflect back into the lens causing reflection.

The beam of the light at the distance of 200 mm is classified as Risk Group 1 (RG1). The minimum safe distance is approximately 1350 mm away from the device.

Possible hazardous optical radiation emitted from this product. IR emitted from this product. DO NOT stare at operating light source. May be harmful to the eyes.



If appropriate shielding or eye protection is not available, turn on the light only at a safe distance or in the area that is not directly exposed to the light.

When assembling, installing or maintaining the device, DO NOT turn on the light, or wear eye protection.

## Emergency

If smoke, odor, or noise arises from the device, immediately turn off the power, unplug the power cable, and contact the service center.

## Time Synchronization

Set up device time manually for the first time access if the local time is not synchronized with that of the network. Visit the device via web browser/client software and go to time settings interface.

## Français



L'image du produit est donnée uniquement à titre de référence et le produit réel peut présenter un aspect différent.

©2023 Hangzhou Hikvision Digital Technology Co., Ltd. Tous droits réservés.

## À propos de ce manuel

Ce manuel fournit des instructions d'utilisation et de gestion du produit. Les images, les tableaux, les figures et toutes les autres informations ci-après ne sont donnés qu'à titre de description et d'explication. Les informations contenues dans ce manuel sont modifiables sans préavis, en raison d'une mise à jour d'un micrologiciel ou pour d'autres raisons. Veuillez trouver la dernière version de ce manuel sur le site Internet de Hikvision (<https://www.hikvision.com/>).

Veuillez utiliser ce mode d'emploi avec les conseils et l'assistance de professionnels spécialement formés dans la prise en charge de ce produit.

## Marques déposées

**HIKVISION** et d'autres marques de commerce et logos de Hikvision appartiennent à Hikvision dans divers pays.

Toutes les autres marques et tous les logos mentionnés appartiennent à leurs propriétaires respectifs.

## CLAUDE D'EXCLUSION DE RESPONSABILITÉ

DANS LES LIMITES AUTORISÉES PAR LA LOI EN VIGUEUR, LE PRÉSENT MANUEL ET LE PRODUIT DÉCRIT, AINSI QUE SON MATÉRIEL, SES LOGICIELS ET SES MICROLOGICIELS, SONT FOURNIS « EN L'ÉTAT » ET « AVEC CES FAIBLESSES ET ERREURS ». HIKVISION NE FAIT AUCUNE GARANTIE, EXPLICITE OU IMPLICITE, Y COMPRIS, MAIS SANS S'Y LIMITER, DE QUALITÉ MARCHANDE, DE QUALITÉ SATISFAISANTE, OU D'ADÉQUATION À UN USAGE PARTICULIER. VOUS UTILISEZ LE PRODUIT À VOS PROPRES RISQUES. HIKVISION NE SERA EN AUCUN CAS TENU RESPONSABLE POUR TOUT DOMMAGE SPÉCIAL, CONSÉCUTIF, ACCESSOIRE OU INDIRECT, Y COMPRIS, ENTRE AUTRES, LES DOMMAGES RELATIFS À LA PERTE DE PROFITS D'ENTREPRISE, À L'INTERRUPTION D'ACTIVITÉS COMMERCIALES, OU LA PERTE DES DONNÉES, LA CORRUPTION DES SYSTÈMES, OU LA PERTE DES DOCUMENTS, S'ILS SONT BASÉS SUR UNE VIOLATION DE CONTRAT, UNE FAUTE (Y COMPRIS LA NÉGLIGENCE), LA RESPONSABILITÉ EN MATIÈRE DE PRODUITS, OU AUTRE, EN RAPPORT AVEC

L'UTILISATION DU PRODUIT, MÊME SI HIKVISION A ÉTÉ INFORMÉ DE LA POSSIBILITÉ D'UN TEL DOMMAGE OU D'UNE TELLE PERTE.

VOUS RECONNAISSEZ QUE LA NATURE D'INTERNET EST SOURCE DE RISQUES DE SÉCURITÉ inhérents, ET HIKVISION SE DÉGAGE DE TOUTE RESPONSABILITÉ EN CAS DE FONCTIONNEMENT ANORMAL, DIVULGATION D'INFORMATIONS CONFIDENTIELLES OU AUTRES DOMMAGES DÉCOULANT D'UNE CYBERATTAQUE, D'UN PIRATAGE INFORMATIQUE, D'UNE INFECTION PAR DES VIRUS, OU AUTRES RISQUES DE SÉCURITÉ LIÉS À INTERNET ; TOUTEFOIS, HIKVISION FOURNIRA UNE ASSISTANCE TECHNIQUE DANS LES DÉLAIS, LE CAS ÉCHÉANT.

VOUS ACCEPTEZ D'UTILISER CE PRODUIT CONFORMÉMENT À L'ENSEMBLE DES LOIS EN VIGUEUR. IL EST DE VOTRE RESPONSABILITÉ EXCLUSIVE DE VEILLER À CE QUE VOTRE UTILISATION SOIT CONFORME À LA LOI APPLICABLE. IL VOUS APPARTIEN SURTOUT D'UTILISER CE PRODUIT D'UNE MANIÈRE QUI NE PORTE PAS ATTEINTE AUX DROITS DE TIERS, Y COMPRIS, MAIS SANS S'Y LIMITER, LES DROITS DE PUBLICITÉ, LES DROITS DE PROPRIÉTÉ INTELLECTUELLE, OU LA PROTECTION DES DONNÉES ET D'AUTRES DROITS À LA VIE PRIVÉE. VOUS NE DEVEZ PAS UTILISER CE PRODUIT POUR TOUTE UTILISATION FINALE INTERDITE, NOTAMMENT LA MISE AU POINT OU LA PRODUCTION D'ARMES DE DESTRUCTION MASSIVE, LA MISE AU POINT OU LA FABRICATION D'ARMES CHIMIQUES OU BIOLOGIQUES, LES ACTIVITÉS DANS LE CONTEXTE LIÉ AUX EXPLOSIFS NUCLÉAIRES OU AU CYCLE DU COMBUSTIBLE NUCLÉAIRE DANGEREUX, OU SOUTENANT LES VIOLATIONS DES DROITS DE L'HOMME.

EN CAS DE CONFLIT ENTRE CE MANUEL ET LES LOIS EN VIGUEUR, CES DERNIÈRES PRÉVALENT.

## Réglementation

**Ces clauses ne s'appliquent qu'aux produits portant la marque ou l'information correspondante.**

## Déclaration de conformité UE

**CE** Ce produit et, le cas échéant, les accessoires qui l'accompagnent, sont estampillés « CE » et sont donc conformes aux normes européennes harmonisées en vigueur répertoriées sous la directive 2014/30/UE (EMCD), la directive 2014/35/UE (LVD) et la directive 2011/65/UE (RoHS).

Par la présente, Hangzhou Hikvision Digital Technology Co., Ltd. déclare que cet appareil (se référer à l'étiquette) est conforme à la directive 2014/53/UE. Le texte intégral de la Déclaration de conformité UE est disponible à l'adresse Internet suivante : <https://www.hikvision.com/europe/support/download/declaration-of-conformity/>.

Pour les appareils sans adaptateur d'alimentation offert, utilisez l'adaptateur d'alimentation fourni par un fabricant qualifié. Reportez-vous aux spécifications du produit pour les dispositions nécessaires et détaillées en matière d'alimentation. Pour les appareils sans batterie offerte, utilisez la batterie fournie par un fabricant qualifié.

Reportez-vous aux spécifications du produit pour les détails concernant la batterie.

### Bandes de fréquence et puissance (pour la CE)

Les bandes de fréquences et les limites nominales de la puissance d'émission (rayonnée ou conduite) applicables aux équipements radio suivants sont les suivantes :

#### EXPOSITION AUX RADIOFRÉQUENCES (RF)

S'applique aux modèles d'appareil suivants : DS-2DE\*4G\*

Les bandes et modes de fréquence et les limites nominales de la puissance transmise (rayonnée ou par conduction) applicables à ce dispositif radio sont les suivantes :

Wi-Fi 2,4 GHz (2,4 à 2,4835 GHz)	20 dBm
GSM850 : 824 à 849 MHz	32,5±1 dBm
GSM900 : 880 à 915 MHz	32,5±1 dBm
DCS1800 : 1 710 à 1 785 MHz	29,5±1 dBm
WCDMA bande I : 1 920 à 1 980 MHz	23,5±1 dBm
WCDMA bande V : 824 à 849 MHz	23,5±1 dBm
WCDMA bande VIII : 880 à 915 MHz	23,5±1 dBm
Bande LTE 1 : 1 920 à 1 980 MHz	23±1 dBm
Bande LTE 3 : 1 710 à 1 785 MHz	23±1 dBm
Bande LTE 5 : 824 à 849 MHz	23±1 dBm
Bande LTE 7 : 2 500 à 2 570 MHz	23±1 dBm
Bande LTE 8 : 880 à 915 MHz	23±1 dBm
Bande LTE 20 : 832 à 862 MHz	23±1 dBm
Bande LTE 28 : 703 à 748 MHz	23±1 dBm
Bande LTE 38 : 2 570 à 2 620 MHz	23±1 dBm
Bande LTE 40 : 2 300 à 2 400 MHz	23±1 dBm
Bande LTE 41 : 2555 à 2655 MHz	23±1 dBm

Remarque : certains modèles ne peuvent fonctionner que sur des canaux Wi-Fi spécifiques. Reportez-vous à la fiche technique pour les détails.



2012/19/UE (directive DEEE) : dans l'Union européenne, les produits portant ce pictogramme ne doivent pas être déposés dans une décharge municipale où le tri des déchets n'est pas pratiqué. Pour un recyclage adéquat, remettez ce produit à votre revendeur lors de l'achat d'un nouvel équipement équivalent, ou déposez-le dans un lieu de collecte prévu à cet effet. Pour plus de précisions, rendez-vous sur : [www.recyclethis.info](http://www.recyclethis.info)



2006/66/CE et son amendement 2013/56/UE (directive sur les batteries) : ce produit renferme une pile qui ne doit pas être déposée dans une décharge municipale où le tri des déchets n'est pas pratiqué, dans l'Union européenne. Pour plus de précisions sur la pile, reportez-vous à sa documentation. La pile porte le pictogramme ci-contre, qui peut inclure la mention Cd (cadmium), Pb (plomb) ou Hg (mercure). Pour la recycler correctement, renvoyez-la à votre

revendeur ou déposez-la dans un point de collecte prévu à cet effet. Pour plus de précisions, rendez-vous sur : [www.recyclethis.info](http://www.recyclethis.info).

### Consignes de sécurité



#### Avertissements

#### Lois et réglementations

L'appareil doit être utilisé conformément à la législation locale ainsi qu'aux réglementations en matière de sécurité électrique et de prévention des incendies.

#### Sécurité électrique

**ATTENTION** : Pour réduire le risque d'incendie, remplacez-le uniquement par un fusible de même type et de même calibre.

Cet équipement doit être installé avec un onduleur pour éviter tout risque de redémarrage.

#### Pile/Batterie

Cet équipement n'est pas adapté à un usage dans les endroits où des enfants sont susceptibles d'être présents.

**ATTENTION** : Il y a un risque d'explosion lorsque la pile est remplacée par une pile de type incorrect.

Le remplacement de la pile par une pile du mauvais type peut conduire à l'annulation d'une protection (par exemple, dans le cas de certains types de piles au lithium).

Ne jetez pas une batterie au feu ou dans un four chaud, ni ne broyez mécaniquement ou découpez une batterie, car cela pourrait engendrer une explosion.

Ne laissez pas une batterie dans un environnement ambiant extrêmement chaud, car vous encourez un risque d'explosion ou une fuite de liquide ou de gaz inflammable.

N'exposez pas une batterie à des pressions atmosphériques extrêmement basses, car vous encourez un risque d'explosion ou une fuite de liquide ou de gaz inflammable.

Éliminez les batteries usées conformément aux instructions.



#### Précautions

#### Prévention des incendies

Aucune source de flamme nue, telle que des bougies allumées, ne doit être placée sur l'équipement.

Le port série de l'équipement est utilisé uniquement à des fins de débogage.

#### Surface chaude



**ATTENTION** : Composants chauds ! La manipulation des pièces risque de brûler les doigts.

Cet autocollant indique que l'élément marqué peut être chaud et qu'il doit être manipulé avec précaution. Attendez une demi-heure après l'arrêt de l'appareil avant de manipuler les pièces.

La présence de cet autocollant sur un appareil indique qu'il doit être installé dans une zone dont l'accès est restreint. L'accès est réservé au personnel de service ou aux utilisateurs ayant été formés sur les raisons des restrictions appliquées à cette zone et sur

toutes les précautions à prendre.

## Installation

Installez l'équipement conformément aux instructions de ce manuel.

Afin d'éviter tout accident, cet appareil doit être correctement attaché au plafond/mur conformément aux instructions d'installation.

Assurez-vous qu'il y a assez d'espace pour l'installation de l'appareil et de ses accessoires.

Assurez-vous que le mur est suffisamment solide pour supporter au moins huit fois le poids de l'appareil et de son support.

S'assurer que l'alimentation est coupée avant de procéder au câblage, à l'installation ou au démontage de l'appareil.

## Transport

Gardez l'appareil dans son emballage d'origine ou dans un emballage similaire lors de son transport.

Ne pas faire tomber le produit ou le soumettre à un choc physique.

## Alimentation électrique

La source d'alimentation doit répondre aux exigences AE2 ou relatives à une source d'alimentation limitée conformément à la norme CEI 60950-1 ou CEI 62368-1.

Reportez-vous à l'étiquette de l'appareil pour connaître les caractéristiques de l'alimentation électrique. Assurez-vous que les caractéristiques de votre alimentation électrique correspondent à celles de votre appareil.

Utilisez un adaptateur d'alimentation fourni par un fabricant qualifié. Il est recommandé de prévoir un adaptateur d'alimentation indépendant pour chaque appareil, car toute surcharge peut entraîner un risque de surchauffe voire d'incendie.

## Sécurité du système

Vous êtes responsable de la configuration de tous les mots de passe et d'autres paramètres de sécurité concernant l'appareil. Gardez votre nom d'utilisateur et votre mot de passe en sécurité.

## Maintenance

Si le produit ne fonctionne pas correctement, contactez votre revendeur ou le centre de service le plus proche. Nous n'assumerons aucune responsabilité concernant les problèmes causés par une réparation ou une opération de maintenance non autorisée.

Certains composants de l'appareil (p. ex., condensateur électrolytique) doivent être remplacés régulièrement. Leur durée de vie moyenne est variable, c'est pourquoi des contrôles périodiques sont recommandés. Veuillez contacter votre distributeur pour plus d'informations.

## Nettoyage

Veuillez nettoyer les parois internes et externes à l'aide d'un chiffon doux et sec. N'utilisez pas de détergent alcalin.

## Environnement d'exploitation

Pendant l'utilisation de tout équipement générant un laser, veillez à ce que l'objectif de l'appareil ne soit pas exposé au faisceau laser, car il pourrait brûler. N'orientez pas l'objectif vers le soleil ou toute autre source de lumière vive.

Pour éviter l'accumulation de chaleur, une bonne

aération est requise afin de fournir au produit un environnement de fonctionnement adéquat.

N'exposez PAS l'appareil à des environnements extrêmement chauds, froids, poussiéreux, corrosifs, salins-alcalins ou humides.

Pour les appareils extérieurs, la température de fonctionnement doit être comprise entre -30 °C et 65 °C (-22 °F et 149 °F) et le taux d'humidité de fonctionnement doit être inférieur à 90 %. Pour les appareils intérieurs, la température de fonctionnement doit être comprise entre -10 °C et 50 °C (-14 °F et 122 °F) et le taux d'humidité de fonctionnement doit être inférieur à 90 %.

N'exposez PAS l'appareil à de puissants rayonnements électromagnétiques.

## Bloc d'éclairage

Assurez-vous qu'aucune surface réfléchissante ne se trouve à proximité de l'objectif de l'appareil. La lumière de l'appareil peut se réfléchir dans l'objectif et entraîner des problèmes de réflexion.

Le faisceau lumineux à une distance de 200 mm est classé dans le groupe de risque 1 (RG1). La distance minimale de sécurité est d'environ 1350 mm de l'appareil.

Ce produit est susceptible d'émettre des rayonnements optiques dangereux. IR émis par ce produit. NE regardez PAS la source lumineuse lorsqu'elle est allumée. Elle peut être nocive pour les yeux.

Si vous ne disposez pas d'un blindage ou d'une protection oculaire appropriés, n'activez la lumière qu'à une distance sûre ou dans la zone qui n'est pas directement exposée à la lumière.

Lors de l'assemblage, de l'installation ou de l'entretien de l'appareil, N'allumez PAS la lumière et ne portez pas de lunettes de protection.

## Urgence

Si de la fumée, des odeurs ou du bruit s'échappent de l'appareil, mettez immédiatement l'appareil hors tension et débranchez le câble d'alimentation, puis contactez un centre de réparation.

## Synchronisation de l'heure

Si l'heure locale de l'appareil n'est pas synchronisée avec celle du réseau, configurez-la manuellement lors du premier accès. Accédez à l'appareil à l'aide d'un navigateur Internet/logiciel client, puis rendez-vous dans l'interface des réglages de l'heure.

## Deutsch



Das Erscheinungsbild des Produkts dient nur als Referenz und kann vom tatsächlichen Produkt abweichen.

©2023 Hangzhou Hikvision Digital Technology Co., Ltd. Alle Rechte vorbehalten.

## Hinweise zu dieser Bedienungsanleitung

Die Bedienungsanleitung enthält Anleitungen zur Verwendung und Verwaltung des Produkts. Bilder, Diagramme, Abbildungen und alle sonstigen Informationen dienen nur der Beschreibung und Erklärung. Die Änderung der in der Bedienungsanleitung enthaltenen Informationen ist aufgrund von Firmware-Aktualisierungen oder aus anderen Gründen vorbehalten. Die neueste Version dieser Bedienungsanleitung finden Sie auf der

Hikvision-Website (<https://www.hikvision.com/>).

Bitte verwenden Sie diese Bedienungsanleitung unter Anleitung und Unterstützung von Fachleuten, die für den Support des Produkts geschult sind.

#### Markenzeichen

**HIKVISION**

und andere Marken sowie Logos von Hikvision sind das Eigentum von Hikvision in verschiedenen Ländern.

Andere hier erwähnte Marken und Logos sind Eigentum ihrer jeweiligen Inhaber.

#### HAFTUNGSAUSSCHLUSS

DIESE BETRIEBUNGSANLEITUNG UND DAS BESCHRIEBENE PRODUKT MIT SEINER HARDWARE, SOFTWARE UND FIRMWARE WERDEN, SOWEIT GESETZLICH ZULÄSSIG, IN DER „VORLIEGENDEN FORM“ UND MIT „ALLEN FEHLERN UND IRRTÜMERN“ BEREITGESTELLT. HIKVISION ÜBERNIMMT KEINE AUSDRÜCKLICHEN ODER STILLSCHWEIGENDEN GARANTIE, EINSCHLIESSLICH, ABER NICHT BESCHRÄNKT AUF DIE MARKTGÄNGIGKEIT, ZUFRIEDENSTELLENDEN QUALITÄT ODER EIGNUNG FÜR EINEN BESTIMMTEN ZWECK. DIE NUTZUNG DES PRODUKTS DURCH SIE ERFOLGT AUF IHRE EIGENE GEFAHR. IN KEINEM FALL IST HIKVISION IHNEN GEGENÜBER HAFTBAR FÜR BESONDERE, ZUFÄLLIGE, DIREKTE ODER INDIREKTE SCHÄDEN, EINSCHLIESSLICH, JEDOCH NICHT DARAUf BESCHRÄNKt, VERLUST VON GESCHÄFTSGEWINNEN, GESCHÄFTSUNTERBRECHUNG, DATENVERLUST, SYSTEMBESCHÄDIGUNG, VERLUST VON DOKUMENTATIONEN, SEI ES AUFGRUND VON VERTRAGSBRUCH, UNERLAUBTER HANDLUNG (EINSCHLIESSLICH FAHRLÄSSIGKEIT), PRODUKTHAFTUNG ODER ANDERWEITIG, IN VERBINDUNG MIT DER VERWENDUNG DIESES PRODUKTS, SELBST WENN HIKVISION ÜBER DIE MÖGLICHKEIT DERARTIGER SCHÄDEN ODER VERLUSTE INFORMIERT WAR.

SIE ERKENNEN AN, DASS DIE NATUR DES INTERNETS DAMIT VERBUNDENE SICHERHEITSRISIKEN BEINHÄLTET. HIKVISION ÜBERNIMMT KEINE VERANTWORTUNG FÜR ANORMALEN BETRIEB, DATENVERLUST ODER ANDERE SCHÄDEN, DIE SICH AUS CYBERANGRIFFEN, HACKERANGRIFFEN, VIRUSINFESTION ODER ANDEREN SICHERHEITSRISIKEN IM INTERNET ERGEBEN. HIKVISION LEISTET JEDOCH BEI BEDARF ZEITNAH TECHNISCHEM SUPPORT.

SIE STIMMEN ZU, DIESES PRODUKT IN ÜBEREINSTIMMUNG MIT ALLEN GELTENDEN GESETZEN ZU VERWENDEN, UND SIE SIND ALLEIN DAFÜR VERANTWORTLICH, DASS IHRE VERWENDUNG GEGEN KEINE GELTENDEN GESETZE VERSTÖßT. INSBESONDERE SIND SIE DAFÜR VERANTWORTLICH, DIESES PRODUKT SO ZU VERWENDEN, DASS DIE RECHTE DRITTER NICHT VERLETZT WERDEN, EINSCHLIESSLICH, ABER NICHT BESCHRÄNKt AUF VERÖFFENTLICHUNGSRECHTE, DIE RECHTE AN GEISTIGEM EIGENTUM ODER DEN DATENSCHUTZ UND ANDERE PERSÖNLICHKEITSRECHTE. SIE DÜRFEN DIESES PRODUKT NICHT FÜR VERBOTENE ENDANWENDUNGEN VERWENDEN, EINSCHLIESSLICH DER ENTWICKLUNG ODER HERSTELLUNG VON MASSENVERNICHTUNGSWAFFEN, DER ENTWICKLUNG ODER HERSTELLUNG CHEMISCHER ODER BIOLOGISCHER WAFFEN, JEGLICHER

AKTIVITÄTEN IM ZUSAMMENHANG MIT EINEM NUKLEAREN SPRENGKÖRPER ODER UNSICHEREN NUKLEAREN BRENNSTOFFKREISLAUF BZW. ZUR UNTERSTÜTZUNG VON MENSCHENRECHTSVERLETZUNGEN.

IM FALL VON KONFLIKTEN ZWISCHEN DIESER BETRIEBUNGSANLEITUNG UND GELTENDEM RECHT IST LETZTERES MASSGEBLICH.

#### Behördliche Informationen

**Diese Bestimmungen gelten nur für Produkte, die das entsprechende Zeichen oder die entsprechenden Informationen tragen.**

#### Erklärung zur EU-Konformität



Dieses Produkt und – gegebenenfalls – das mitgelieferte Zubehör tragen das

„CE“-Kennzeichen und entsprechen daher den geltenden harmonisierten europäischen Normen, die in der Richtlinie 2014/30/EU (EMV), der Richtlinie 2014/35/EU (NSR) und der Richtlinie 2011/65/EU (RoHS) aufgeführt sind.

Hiermit erklärt Hangzhou Hikvision Digital Technology Co., Ltd., dass dieses Gerät (siehe Etikett) mit der Richtlinie 2014/53/EU übereinstimmt. Der vollständige Text der EU-Konformitätserklärung ist unter folgender Internetadresse abrufbar: <https://www.hikvision.com/europe/support/download/declaration-of-conformity/>.

Verwenden Sie bei einem Gerät ohne mitgeliefertes Netzteil nur ein Netzteil von einem zugelassenen Hersteller. Detaillierte Angaben zum Strombedarf finden Sie in der Produktspezifikation.

Verwenden Sie bei einem Gerät ohne mitgelieferte Batterien nur Batterien/Akkus von einem zugelassenen Hersteller. Detaillierte Angaben zu den Batterie-/Akku-Anforderungen finden Sie in der Produktspezifikation.

#### Frequenzbänder und Leistung (für CE)

Die für das folgende Funkgerät geltenden Frequenzbänder und die nominalen Grenzwerte für die Sendeleistung (gestrahlt und/oder leitungsgeführt) sind wie folgt:

#### HOCHFREQUENZBELASTUNG (HF)

Gilt für die folgenden Gerätemodelle:

DS-2DE\*4G\*

Die für dieses Funkgerät geltenden Frequenzbänder und Modi und Nenngrenzwerte der Sendeleistung (abgestrahlt und/oder leitungsgeführt) sind folgende:

WLAN 2,4 GHz (2,4 - 2,4835 GHz)	20 dBm
GSM850: 824 - 849 MHz	32,5 ±1 dBm
GSM900: 880 - 915 MHz	32,5 ±1 dBm
DCS1800: 1710 - 1785 MHz	29,5±1 dBm
WCDMA Band I: 1920 - 1980 MHz	23,5±1 dBm
WCDMA Band V: 824 - 849 MHz	23,5±1 dBm
WCDMA Band VIII: 880 - 915 MHz	23,5±1 dBm
LTE-Band 1: 1920 - 1980 MHz	23±1 dBm
LTE Band 3: 1710 - 1785 MHz	23±1 dBm

LTE Band 5: 824 - 849 MHz	23±1 dBm
LTE Band 7: 2500 - 2570 MHz	23±1 dBm
LTE Band 8: 880 - 915 MHz	23±1 dBm
LTE Band 20: 832 - 862 MHz	23±1 dBm
LTE Band 28: 703 - 748 MHz	23±1 dBm
LTE Band 38: 2570 - 2620 MHz	23±1 dBm
LTE Band 40: 2300 - 2400 MHz	23±1 dBm
LTE Band 41: 2555 - 2655 MHz	23±1 dBm

Hinweis: Einige Modelle werden nur auf bestimmten WLAN-Kanälen unterstützt. Ausführliche Informationen finden Sie im Datenblatt.



2012/19/EU (Elektroaltgeräte-Richtlinie):

Produkte, die mit diesem Symbol gekennzeichnet sind, dürfen innerhalb der Europäischen Union nicht mit dem Hausmüll entsorgt werden. Für korrektes Recycling geben Sie dieses Produkt an Ihren örtlichen Fachhändler zurück oder entsorgen Sie es an einer der Sammelstellen. Für weitere Informationen siehe: [www.recyclethis.info](http://www.recyclethis.info)



2006/66/EG und deren Änderung  
2013/56/EU (Batterie-Richtlinie): Dieses Produkt enthält einen Akku, der innerhalb der Europäischen Union nicht mit dem

Haumüll entsorgt werden darf. Siehe Produktdokumentation für spezifische Hinweise zu Akku oder Batterien. Der Akku ist mit diesem Symbol gekennzeichnet, das zusätzlich die Buchstaben Cd für Cadmium, Pb für Blei oder Hg für Quecksilber enthalten kann. Für korrektes Recycling geben Sie den Akku an Ihren örtlichen Fachhändler oder entsorgen Sie ihn bei einer entsprechenden Sammelstelle. Für weitere Informationen siehe: [www.recyclethis.info](http://www.recyclethis.info).

## Sicherheitshinweis



### Warnung

#### Gesetze und Vorschriften

Das Gerät muss in Übereinstimmung mit lokalen Gesetzen, Vorschriften zur elektrischen Sicherheit und Brandschutzvorschriften verwendet werden.

#### Elektrische Sicherheit

**ACHTUNG:** Um die Feuergefahr zu verringern, ersetzen Sie Sicherungen nur durch Sicherungen des gleichen Typs und der gleichen Leistung. Dieses Gerät muss mit einer USV installiert werden, um das Risiko eines Neustarts zu vermeiden.

#### Akku

Das Gerät ist nicht für den Einsatz an Orten geeignet, an denen sich wahrscheinlich Kinder aufhalten.

**ACHTUNG:** Bei Austausch der Batterie durch einen falschen Typ besteht Explosionsgefahr.

Unschonemäßiger Austausch des Akkus durch einen falschen Typ kann eine Schutzvorrichtung umgehen (z. B. bei einigen Lithium-Batterietypen).

Batterien nicht durch Verbrennen, in einem heißen Ofen oder Zerkleinern oder Zerschneiden entsorgen. Das kann zu einer Explosion führen.

Bewahren Sie Batterien nicht in einer Umgebung mit extrem hoher Temperatur auf. Das kann zu einer Explosion oder zum Auslaufen von entflammbarer Flüssigkeit oder Gas führen.

Setzen Sie Batterien keinem extrem niedrigen Luftdruck aus. Das kann zu einer Explosion oder zum Auslaufen von entflammbarer Flüssigkeit oder Gas führen.

Entsorgen Sie die verbrauchten Batterien gemäß den Anweisungen.



## Sicherheitshinweise

### Brandschutz

Stellen Sie keine offenen Flammen (wie brennende Kerzen) auf dem Gerät ab.

Die serielle Schnittstelle des Geräts wird nur zur Fehlersuche verwendet.

### Heiße Oberfläche



**ACHTUNG:** Heiße Teile! Sie können sich bei Berührung der Teile Verbrennungen zuziehen.

Dieser Aufkleber weist darauf hin, dass der markierte Gegenstand heiß sein kann und nur vorsichtig angefasst werden darf. Warten Sie nach dem Ausschalten eine halbe Stunde, bevor Sie Teile anfassen.

Ein Gerät mit diesem Aufkleber ist für die Installation an Orten mit beschränktem Zugang vorgesehen.

Zugang dürfen nur Wartungspersonal oder Benutzer erhalten, die über die Gründe für die Zugangsbeschränkungen und über die zu treffenden Vorsichtsmaßnahmen informiert wurden.

### Installation

Installieren Sie das Gerät gemäß den Anweisungen in diesem Handbuch.

Um Verletzungen zu vermeiden, muss dieses Gerät gemäß den Installationsanweisungen sicher an der Decke/Wand montiert werden.

Stellen Sie sicher, dass ausreichend Platz für die Installation des Geräts und des Zubehörs vorhanden ist.

Stellen Sie sicher, dass die Wand stark genug ist, um mindestens das achtfache Gewicht von Gerät und Halterung tragen zu können.

Stellen Sie sicher, dass die Stromversorgung unterbrochen wurde, bevor Sie das Gerät verkabeln, installieren oder demontieren.

### Transportwesen

Bewahren Sie das Gerät beim Transport in der ursprünglichen oder einer vergleichbaren Verpackung auf.

Lassen Sie das Produkt nicht fallen und vermeiden Sie heftige Stöße.

### Spannungsversorgung

Die Stromquelle muss die Anforderungen an eine Stromquelle mit begrenzter Leistung oder PS2 gemäß der Norm IEC 60950-1 oder IEC 62368-1 erfüllen.

Die Angaben zur standardmäßigen Stromversorgung finden Sie auf dem Geräteetikett. Achten Sie darauf, dass die Stromversorgung mit der Ihres Geräts übereinstimmt.

Verwenden Sie ein von qualifizierten Herstellern mitgeliefertes Netzteil. Es wird empfohlen, für jedes

Gerät ein unabhängiges Netzteil vorzusehen, da eine Überlastung des Netzteils zu einer Überhitzung oder Brandgefahr führen kann.

### Systemsicherheit

Bitte nehmen Sie zur Kenntnis, dass Sie die Verantwortung dafür tragen, alle Passwörter und andere Sicherheitseinstellungen für das Gerät zu konfigurieren und Ihren Benutzernamen und Ihr Passwort aufzubewahren.

### Wartung

Falls das Produkt nicht einwandfrei funktionieren sollte, wenden Sie sich an Ihren Händler oder den nächstgelegenen Kundendienst. Wir übernehmen keine Haftung für Probleme, die durch nicht Reparatur- oder Instandhaltungsarbeiten von nicht autorisierten Dritten verursacht werden.

Einige Gerätekomponten (z. B. Elektrolytkondensator) müssen regelmäßig ausgetauscht werden. Die durchschnittliche Lebensdauer variiert, weshalb eine regelmäßige Prüfung empfohlen wird. Einzelheiten erfahren Sie von Ihrem Händler.

### Reinigung

Bitte verwenden Sie ein weiches und trockenes Tuch zur Reinigung der Innen- und Außenflächen. Verwenden Sie keine alkalischen Reinigungsmittel.

### Einsatzumgebung

Achten Sie bei Verwendung eines Lasergeräts darauf, dass das Objektiv des Geräts nicht dem Laserstrahl ausgesetzt wird. Andernfalls könnte es durchbrennen.

Richten Sie das Objektiv nicht auf die Sonne oder eine andere helle Lichtquelle.

Zur Vermeidung eines Hitzestaus sollte in der Betriebsumgebung eine gute Lüftung gewährleistet sein.

Setzen Sie das Gerät NICHT extrem heißen, kalten, staubigen, korrosiven, salzhaltigen, alkalischen oder feuchten Umgebungen aus.

Bei Geräten für den Außenbereich muss die Betriebstemperatur bei -30 °C bis +65 °C und die Betriebsluftfeuchtigkeit unter 90 % liegen. Bei Geräten für den Innenbereich muss die Betriebstemperatur bei -10 °C bis +50 °C und die Betriebsluftfeuchtigkeit unter 90 % liegen.

Setzen Sie das Gerät KEINER hohen elektromagnetischen Strahlung aus.

### Beleuchtung

Stellen Sie sicher, dass sich keine reflektierende Oberfläche zu nahe am Geräteobjektiv befindet. Das Licht vom Gerät kann in das Objektiv zurückreflektiert werden und Reflexionen verursachen.

Der Lichtstrahl im Abstand von 200 mm wird in die Risikogruppe 1 (RG1) eingestuft. Der minimale Sicherheitsabstand beträgt etwa 1350 mm zum Gerät.

Es wird möglicherweise gefährliche optische Strahlung von diesem Produkt emittiert. Von diesem Produkt abgestrahltes IR-Licht. Schauen Sie während des Betriebs NICHT in die Lichtquelle. Das kann schädlich für die Augen sein.

Wenn keine angemessene Abschirmung bzw. kein angemessener Augenschutz verfügbar ist, schalten Sie das Licht nur in einer sicheren Entfernung oder in

einem nicht direkt dem Licht ausgesetzten Bereich ein.

Schalten Sie bei Montage, Installation oder Wartung des Geräts NICHT das Licht ein, oder tragen Sie einen Augenschutz.

### Notruf

Sollten sich Rauch, Gerüche oder Geräusche in dem Gerät entwickeln, so schalten Sie es unverzüglich aus und ziehen Sie den Netzstecker. Wenden Sie sich dann an den Kundendienst.

### Zeitsynchronisation

Stellen Sie die Gerätezeit beim erstmaligen Gebrauch manuell ein, wenn die lokale Zeit nicht mit der des Netzwerks synchronisiert ist. Rufen Sie das Gerät über einen Webbrowser/Client-Software auf und gehen Sie zum Fenster für Zeiteinstellungen.

## Español



La apariencia del producto es solo una referencia y puede diferir de la apariencia real del producto.

©2023 Hangzhou Hikvision Digital Technology Co., Ltd. Todos los derechos reservados.

### Sobre este manual

Este manual incluye las instrucciones de utilización y gestión del producto. Las figuras, gráficos, imágenes y cualquier otra información que encontrará en lo sucesivo tienen únicamente fines descriptivos y aclaratorios. La información incluida en el manual está sujeta a cambios, sin aviso previo, debido a las actualizaciones de software u otros motivos. Visite el sitio web de Hikvision —<https://www.hikvision.com/>— para acceder a la última versión de este manual.

Utilice este manual con la guía y asistencia de profesionales capacitados en el soporte del producto.

### Marcas registradas

**HIKVISION** y otras marcas comerciales y logotipos de Hikvision son propiedad de Hikvision en diferentes jurisdicciones.

Las demás marcas comerciales y logotipos mencionados son propiedad de sus respectivos dueños.

### DESCARGO DE RESPONSABILIDAD

EN LA MEDIDA MÁXIMA PERMITIDA POR LAS LEYES APPLICABLES, ESTE MANUAL Y EL PRODUCTO DESCRITO —INCLUIDOS SU HARDWARE, SOFTWARE Y FIRMWARE— SE SUMINISTRAN «TAL CUAL» Y «CON TODOS SU FALLOS Y ERRORES». HIKVISION NO OFRECE GARANTÍAS, EXPLÍCITAS O IMPLÍCITAS, INCLUIDAS, A MODO ENUNCIATIVO, COMERCIALIZACIÓN, CALIDAD SATISFACTORIA O IDONEIDAD PARA UN PROPÓSITO EN PARTICULAR. EL USO QUE HALLO DEL PRODUCTO CORRE BAJO SU ÚNICO RIESGO. EN NINGÚN CASO, HIKVISION PODRÁ CONSIDERARSE RESPONSABLE ANTE USTED DE NINGÚN DAÑO ESPECIAL, CONSECUENTE, INCIDENTAL O INDIRECTO, INCLUYENDO, ENTRE OTROS, DAÑOS POR PÉRDIDAS DE BENEFICIOS COMERCIALES, INTERRUPCIÓN DE LA ACTIVIDAD COMERCIAL, PÉRDIDA DE DATOS, CORRUPCIÓN DE LOS SISTEMAS O PÉRDIDA DE DOCUMENTACIÓN, YA SEA POR INCUMPLIMIENTO DEL CONTRATO,



AGRAVIO (INCLUYENDO NEGLIGENCIA), RESPONSABILIDAD DEL PRODUCTO O EN RELACIÓN CON EL USO DEL PRODUCTO, INCLUSO CUANDO HIKVISION HAYA RECIBIDO UNA NOTIFICACION DE LA POSIBILIDAD DE DICHS DAÑOS O PÉRDIDAS.

USTED RECONOCE QUE LA NATURALEZA DE INTERNET IMPLICA RIESGOS DE SEGURIDAD INHERENTES Y HIKVISION NO TENDRÁ NINGUNA RESPONSABILIDAD POR EL FUNCIONAMIENTO ANORMAL, FILTRACIONES DE PRIVACIDAD U OTROS DAÑOS RESULTANTES DE ATAQUES CIBERNÉTICOS, ATAQUES DE HACKERS, INFECCIONES DE VIRUS U OTROS RIESGOS DE SEGURIDAD DE INTERNET; SIN EMBARGO, HIKVISION PROPORCIONARÁ APOYO TÉCNICO OPORTUNO DE SER NECESARIO.

USTED ACEPTA USAR ESTE PRODUCTO DE CONFORMIDAD CON TODAS LAS LEYES APLICABLES Y SOLO USTED ES EL ÚNICO RESPONSABLE DE ASEGURAR QUE EL USO CUMPLA CON DICHAS LEYES. EN ESPECIAL, USTED ES RESPONSABLE DE USAR ESTE PRODUCTO DE FORMA QUE NO INFRINJA LOS DERECHOS DE TERCEROS, INCLUYENDO, A MODO ENUNCIATIVO, DERECHOS DE PUBLICIDAD, DERECHOS DE PROPIEDAD INTELECTUAL, DERECHOS RELATIVOS A LA PROTECCIÓN DE DATOS Y OTROS DERECHOS RELATIVOS A LA PRIVACIDAD. NO UTILIZARÁ ESTE PRODUCTO PARA NINGÚN USO FINAL PROHIBIDO, INCLUYENDO EL DESARROLLO O LA PRODUCCIÓN DE ARMAS DE DESTRUCCIÓN MASIVA, EL DESARROLLO O PRODUCCIÓN DE ARMAS QUÍMICAS O BIOLÓGICAS, NINGUNA ACTIVIDAD EN EL CONTEXTO RELACIONADO CON ALGÚN EXPLOSIVO NUCLEAR O EL CICLO DE COMBUSTIBLE NUCLEAR INSEGURO O EN APOYO DE ABUSOS DE LOS DERECHOS HUMANOS.

EN EL CASO DE EXISTIR UN CONFLICTO ENTRE ESTE MANUAL Y LA LEY APLICABLE, LA ÚLTIMA PREVALECE.

## Información normativa

**Estas cláusulas solo se aplican a los productos que lleven la marca o la información correspondiente.**

## Declaración de cumplimiento de la UE



Este producto, así como los accesorios suministrados (si procede), tienen el marcado «CE» y, por lo tanto, cumplen con las normativas europeas armonizadas aplicables que se enumeran en la Directiva 2014/30/UE (CEM), la Directiva 2014/35/UE (baja tensión) y la Directiva 2011/65/UE (RoHS).

Por la presente, Hangzhou Hikvision Digital Technology Co., Ltd. declara que este dispositivo (consulte la etiqueta) cumple con la Directiva 2014/53/UE. El texto completo de la declaración de conformidad con la UE está disponible en la siguiente dirección de internet: <https://www.hikvision.com/europe/support/download/declaration-of-conformity/>.

En el caso de los dispositivos suministrados sin adaptador de corriente, utilice un adaptador de corriente de un fabricante cualificado. Consulte las especificaciones técnicas del producto para conocer los requisitos eléctricos detallados.

En el caso de los dispositivos suministrados sin

batería, utilice una batería de un fabricante cualificado. Consulte las especificaciones técnicas del producto para conocer los requisitos detallados de la batería.

## Bandas de frecuencia y potencia (para la CE)

Las bandas de frecuencia y los límites de potencia de transmisión (radiada y/o conducida) aplicables a los siguientes equipos de radio son:

### EXPOSICIÓN A RADIOFRECUENCIA RF

Aplicable para los siguientes modelos:

DS-2DE\*4G\*

Las bandas de frecuencia y los modos, así como los límites nominales de la potencia transmitida (radiada o conducida) aplicables a este dispositivo de radio se indican a continuación:

Wifi a 2,4 GHz (2,4 GHz – 2,4835 GHz)	20 dBm
GSM850: 824 – 849 MHz	32,5±1 dBm
GSM900: 880 – 915 MHz	32,5±1 dBm
DCS1800: 1710 – 1785 MHz	29,5±1 dBm
Banda WCDMA I: 1920 – 1980 MHz	23,5±1 dBm
Banda WCDMA V: 824 – 849 MHz	23,5±1 dBm
Banda WCDMA VIII: 880 – 915 MHz	23,5±1 dBm
Banda LTE 1: 1920 – 1980 MHz	23±1 dBm
Banda LTE 3: 1710 – 1785 MHz	23±1 dBm
Banda LTE 5: 824 – 849 MHz	23±1 dBm
Banda LTE 7: 2500 – 2570 MHz	23±1 dBm
Banda LTE 8: 880 – 915 MHz	23±1 dBm
Banda LTE 20: 832 – 862 MHz	23±1 dBm
LTE Banda 28: 703 – 748 MHz	23±1 dBm
Banda LTE 38: 2570 – 2620 MHz	23±1 dBm
Banda LTE 40: 2300 – 2400 MHz	23±1 dBm
Banda LTE 41: 2555 – 2655 MHz	23±1 dBm

Nota: Algunos modelos solo pueden funcionar en canales wifi específicos. Consulte la hoja de datos técnicos para conocer los detalles.



2012/19/UE (directiva RAEE, residuos de aparatos eléctricos y electromagnéticos): En la Unión Europea, los productos marcados con este símbolo no pueden ser desechados en el sistema de basura municipal sin recogida selectiva. Para un reciclaje adecuado, entregue este producto en el lugar de compra del equipo nuevo equivalente o deshágase de él en el punto de recogida designado a tal efecto. Para más información vea la página web: [www.recyclethis.info](http://www.recyclethis.info)



2006/66/CE y su enmienda 2013/56/UE (directiva sobre baterías): Este producto lleva una batería que no puede ser desechada en el sistema municipal de basuras sin recogida selectiva dentro de la Unión Europea. Consulte la documentación del producto

para ver la información específica de la batería. La batería lleva marcado este símbolo, que incluye unas letras indicando si contiene cadmio (Cd), plomo (Pb), o mercurio (Hg). Para un reciclaje adecuado, devuelva la batería a su vendedor o a un punto designado de recogida selectiva de residuos. Para más información vea la página web: [www.recyclethis.info](http://www.recyclethis.info).

### Instrucciones de seguridad



#### Advertencias

#### Leyes y normativas

El dispositivo debe ser utilizado cumpliendo con la legislación local y las normativas de seguridad eléctrica y prevención de incendios.

#### Seguridad eléctrica

**PRECAUCIÓN:** Para reducir el riesgo de incendio, reemplace el fusible por otro del mismo tipo y clasificación.

Este equipo tiene que instalarse con un sistema de alimentación ininterrumpida (SAI) incorporado para evitar el riesgo de reinicio.

#### Batería

Este equipo no es adecuado para utilizarlo en lugares donde pueda haber niños.

**PRECAUCIÓN:** Riesgo de explosión si se reemplaza la batería por otra de tipo incorrecto.

Una sustitución inadecuada de la batería por otra de tipo incorrecto podría inhabilitar alguna medida de protección (por ejemplo, en el caso de algunas baterías de litio).

No arroje la batería al fuego ni la meta en un horno caliente, ni intente aplastar o cortar mecánicamente la batería, ya que podría explotar.

No deje la batería en lugares con temperaturas extremadamente altas, ya que podría explotar o tener fugas de líquido electrolítico o gas inflamable.

No permita que la batería quede expuesta a una presión de aire extremadamente baja, ya que podría explotar o tener fugas de líquido electrolítico o gas inflamable.

Deshágase de las baterías usadas conforme a las instrucciones.



#### Precauciones

#### Prevención de incendios

No coloque llamas abiertas, como velas encendidas, sobre el equipo.

El puerto serie del equipo se utiliza únicamente con fines de depuración.

#### Superficie caliente

**WARNING  
HOT SURFACE  
DO NOT TOUCH**

**PRECAUCIÓN:** ¡Elementos calientes! Puede quemarse los dedos al manipular esas partes.

Esta pegatina indica que el elemento señalado puede estar caliente, por lo que hay que prestar atención antes de tocarlo. Espere media hora después de apagar el equipo para tocar las partes.

Los dispositivos con esta etiqueta han sido diseñados para instalarlos en una ubicación de acceso

restringido. El acceso solo está permitido al personal de servicio o a los usuarios conscientes de las razones por las que la ubicación está restringida y que conocen las precauciones que se deben tener en cuenta.

#### Instalación

Instale el equipo de acuerdo con las instrucciones de este manual.

Con el fin de evitar lesiones, este equipo se debe sujetar firmemente al techo o a una pared de conformidad con las instrucciones de instalación.

Asegúrese de que hay suficiente espacio para instalar el dispositivo y los accesorios.

Asegúrese de que la pared o el techo sean lo suficientemente resistentes para soportar 8 veces el peso del dispositivo y el soporte de montaje.

Asegúrese de que se ha cortado la alimentación eléctrica antes de conectar, instalar o desmontar el dispositivo.

#### Transporte

Guarde el dispositivo en su paquete original o en uno similar cuando lo transporte.

No deje caer el producto ni lo someta a impactos físicos.

#### Fuente de alimentación

La fuente de alimentación debe cumplir con los requisitos de fuente de alimentación limitada o PS2 conforme a las normas IEC 60950-1 o IEC 62368-1.

Consulte la etiqueta del dispositivo para conocer la fuente de alimentación normalizada. Compruebe que la fuente de alimentación sea compatible con el dispositivo.

Utilice un adaptador de corriente provisto por un fabricante autorizado. Se recomienda utilizar un adaptador eléctrico independiente para cada dispositivo, ya que una sobrecarga del adaptador puede entrañar un riesgo de sobrecalentamiento o incendio.

#### Seguridad del sistema

Recuerde que es su responsabilidad instalar las contraseñas y las demás configuraciones de seguridad del dispositivo. Proteja su nombre de usuario y contraseña.

#### Mantenimiento

Si el producto no funciona correctamente, por favor, póngase en contacto con su distribuidor o con el centro de servicio técnico más próximo. No nos haremos responsables de los problemas derivados de una reparación o mantenimiento no autorizados.

Algunos componentes del dispositivo (p. ej.: el condensador electrolítico) necesita una sustitución periódica. La vida útil promedio puede variar, por lo que se recomienda una revisión periódica. Contacte con su vendedor para más detalles.

#### Limpieza

Utilice un paño suave y seco para limpiar las superficies interiores y exteriores. No utilice detergentes alcalinos.

#### Entorno de uso

Cuando utilice equipos láser, asegúrese de que el objetivo del dispositivo no quede expuesto al rayo láser ya que podría quemarse.

No oriente la lente hacia el sol ni a otras luces brillantes.



Una buona ventilación es necesaria a fin de evitar el sobrecalentamiento y poder garantizar un apropiado entorno de funcionamiento.

NO exponga el dispositivo a entornos excesivamente cálidos, fríos, con polvo, corrosivos, salinos-alcálinos o húmedos.

En dispositivos de exterior, la temperatura debe ser de -30 °C a 65 °C (-22 °F a 149 °F) y la humedad de funcionamiento debe ser inferior al 90 %. En dispositivos de interior, la temperatura debe ser de -10 °C a 50 °C (-14 °F a 122 °F) y la humedad de funcionamiento debe ser inferior al 90 %.

NO exponga el dispositivo a radiaciones electromagnéticas intensas.

## **Illuminador**

Asegúrese de que ninguna superficie reflectante esté demasiado cerca de la lente del dispositivo. La luz del dispositivo puede reflejarse y regresar a la lente, causando reflexión.

El haz de luz a una distancia de 200 mm se clasifica como grupo de riesgo 1 (RG1). La distancia mínima de seguridad es de aproximadamente 1350 mm respecto al dispositivo.

Este equipo puede emitir radiaciones ópticas peligrosas. Este dispositivo emite infrarrojos. NO mire directamente a la fuente de luz en funcionamiento. Podría dañar sus ojos.

Si no cuenta con un equipo de protección visual adecuado, encienda la luz únicamente a una distancia segura o en un área que no esté directamente expuesta a la luz.

Cuando vaya a ensamblar, instalar o realizar el mantenimiento del dispositivo, NO encienda la luz o utilice protección visual.

## **Emergencia**

Si hay presencia de humo, olores o ruidos procedentes del dispositivo, apague la alimentación inmediatamente, desenchufe el cable de alimentación y contacte con el servicio técnico.

## **Sincronización de hora**

En el caso de que la hora local no esté sincronizada con la hora de la red, ajuste la hora manualmente la primera vez que acceda. Acceda al dispositivo usando el navegador web/software cliente y entre en la interfaz de ajuste de la hora.

## **Italiano**



L'immagine del prodotto serve solo come riferimento e potrebbe differire dal prodotto effettivo.

©2023 Hangzhou Hikvision Digital Technology Co., Ltd. Tutti i diritti riservati.

## **Informazioni sul presente Manuale**

Il presente Manuale contiene le istruzioni per l'uso e la gestione del prodotto. Le illustrazioni, i grafici e tutte le altre informazioni che seguono hanno solo scopi illustrativi ed esplicativi. Le informazioni contenute nel Manuale sono soggette a modifiche senza preavviso in seguito ad aggiornamenti del firmware o per altri motivi. Scaricare la versione più recente del presente Manuale dal sito web di Hikvision (<https://www.hikvision.com/>).

Utilizzare il presente Manuale con la supervisione e l'assistenza di personale qualificato nel supporto del prodotto.

## **Marchi commerciali**

**HIKVISION** e gli altri marchi commerciali registrati e loghi di Hikvision sono di proprietà di Hikvision nelle varie giurisdizioni.

Gli altri marchi registrati e loghi menzionati appartengono ai rispettivi proprietari.

## **ESCLUSIONE DI RESPONSABILITÀ**

NELLA MISURA MASSIMA CONSENTITA DALLA LEGGE VIGENTE, QUESTO MANUALE E IL PRODOTTO DESCRITTO, CON IL SUO HARDWARE, SOFTWARE E FIRMWARE, SONO FORNITI "COSÌ COME SONO" E "CON TUTTI I DIFETTI E GLI ERRORI". HIKVISION NON RILASCIATA ALCUNA GARANZIA, NÉ ESPRESSA NÉ IMPLICITA COME, SOLO A TITOLO DI ESEMPIO, GARANZIE DI COMMERCIALITÀ, QUALITÀ SODDISFACENTE O IDONEITÀ PER UN USO SPECIFICO. L'UTENTE UTILIZZA IL PRODOTTO A PROPRIO RISCHIO. HIKVISION DECLINA QUALSIASI RESPONSABILITÀ VERSO L'UTENTE IN RELAZIONE A DANNI SPECIALI, CONSEGUENZIALI E INCIDENTALI, COMPRESI, TRA GLI ALTRI, I DANNI DERIVANTI DA MANCATO PROFITTO, INTERRUZIONE DELL'ATTIVITÀ O PERDITA DI DATI, DANNEGGIAMENTO DI SISTEMI O PERDITA DI DOCUMENTAZIONE, DERIVANTI DA INADEMPIENZA CONTRATTUALE, ILLECITO (COMPRESA LA NEGLIGENZA), RESPONSABILITÀ PER DANNI AI PRODOTTI O ALTRIMENTI IN RELAZIONE ALL'USO DEL PRODOTTO, ANCHE QUALORA HIKVISION SIA STATA INFORMATTA DELLA POSSIBILITÀ DI TALI DANNI O PERDITE.

L'UTENTE RICONOSCE CHE LA NATURA DI INTERNET PREVEDE RISCHI DI SICUREZZA INTRINSECI E CHE HIKVISION DECLINA QUALSIASI RESPONSABILITÀ IN RELAZIONE A FUNZIONAMENTI ANOMALI, VIOLAZIONE DELLA RISERVATEZZA O ALTRI DANNI RISULTANTI DA ATTACCHI INFORMATICI, INFEZIONE DA VIRUS O ALTRI RISCHI LEGATI ALLA SICUREZZA SU INTERNET; TUTTAVIA, HIKVISION FORNIRÀ TEMPESTIVO SUPPORTO TECNICO, SE NECESSARIO. L'UTENTE ACCETTA DI UTILIZZARE IL PRODOTTO IN CONFORMITÀ A TUTTE LE LEGGI VIGENTI E DI ESSERE IL SOLO RESPONSABILE DI TALE UTILIZZO CONFORME. IN PARTICOLARE, L'UTENTE È RESPONSABILE DEL FATTO CHE L'UTILIZZO DEL PRODOTTO NON VIELI DIRITTI DI TERZI COME, SOLO A TITOLO DI ESEMPIO, DIRITTI DI PUBBLICITÀ, DIRITTI DI PROPRIETÀ INTELLETTUALE O DIRITTI RELATIVI ALLA PROTEZIONE DEI DATI E ALTRI DIRITTI RIGUARDANTI LA PRIVACY. NON È CONSENTITO UTILIZZARE QUESTO PRODOTTO PER SCOPI PROIBITI, COME, TRA GLI ALTRI, LA PRODUZIONE DI ARMI DI DISTRUZIONE DI MASSA, LO SVILUPPO O LA PRODUZIONE DI ARMI CHIMICHE O BIOLOGICHE, QUALSIASI ATTIVITÀ SVOLTA IN CONTESTI CORRELATI A ESPLOSIONI NUCLEARI O COMBUSTIBILI NUCLEARI NON SICURI O ATTIVITÀ CHE CAUSINO VIOLAZIONI DEI DIRITTI UMANI. IN CASO DI CONFLITTO TRA IL PRESENTE MANUALE E LA LEGGE VIGENTE, PREVERRÀ QUEST'ULTIMA.

## **Informazioni sulle norme**

**Queste clausole si applicano solo ai prodotti recanti il marchio o le informazioni corrispondenti.**

## Dichiarazione di conformità UE



Questo prodotto e gli eventuali accessori in dotazione sono contrassegnati con il marchio "CE", quindi sono conformi alle norme europee armonizzate vigenti di cui alle direttive 2014/30/UE (CEM), 2014/35/UE (direttiva Bassa Tensione) e 2011/65/UE (RoHS).

Con la presente, Hangzhou Hikvision Digital Technology Co., Ltd. dichiara che il dispositivo (fare riferimento all'etichetta) è conforme alla direttiva 2014/53/UE. Il testo completo della dichiarazione di conformità UE è disponibile al seguente indirizzo: <https://www.hikvision.com/europe/support/download/declaration-of-conformity/>.

Per dispositivi senza alimentatore in dotazione, usare alimentatori forniti da un produttore qualificato. Fare riferimento alle specifiche del prodotto per i requisiti di alimentazione dettagliati.

Per i dispositivi senza batteria in dotazione, utilizzare una batteria fornita da un produttore qualificato. Fare riferimento alle specifiche del prodotto per i requisiti di batteria dettagliati.

## Bande di frequenza e potenza (per CE)

I limiti nominali delle bande di frequenza e della potenza di trasmissione (irradiata e/o condotta) applicabili alla seguente apparecchiatura radio sono:

### ESPOSIZIONE A SEGNALI RADIO

Informazioni riguardanti i seguenti modelli:  
DS-2DE\*4G\*

Le bande di frequenza e le modalità e i limiti nominali di potenza trasmessa (irradiata e/o condotta) applicabili al presente dispositivo radio sono i seguenti:

Wi-Fi da 2,4 GHz (2,4 – 2,4835 GHz)	20 dBm
GSM850: 824 – 849 MHz	32,5 ± 1 dBm
GSM900: 880 – 915 MHz	32,5 ± 1 dBm
DCS1800: 1710 – 1785 MHz	29,5 ± 1 dBm
Banda 1 WCDMA: 1920 – 1980 MHz	23,5 ± 1 dBm
Banda 5 WCDMA: 824 – 849 MHz	23,5 ± 1 dBm
Banda 8 WCDMA: 880 – 915 MHz	23,5 ± 1 dBm
Banda 1 LTE: 1920 – 1980 MHz	23 ± 1 dBm
Banda 3 LTE: 1710 – 1785 MHz	23 ± 1 dBm
Banda 5 LTE: 824 – 849 MHz	23 ± 1 dBm
Banda 7 LTE: 2500 – 2570 MHz	23 ± 1 dBm
Banda 8 LTE: 880 – 915 MHz	23 ± 1 dBm
Banda 20 LTE: 832 – 862 MHz	23 ± 1 dBm
Banda 28 LTE: 703 – 748 MHz	23 ± 1 dBm
Banda 38 LTE: 2570 – 2620 MHz	23 ± 1 dBm
Banda 40 LTE: 2300 – 2400 MHz	23 ± 1 dBm
Banda 41 LTE: 2555 – 2655 MHz	23 ± 1 dBm

Nota: Alcuni modelli funzionano solo su canali Wi-Fi specifici. Per i dettagli, consultare la scheda tecnica.



2012/19/UE (Direttiva RAEE): i prodotti contrassegnati con il presente simbolo non possono essere smaltiti come rifiuti domestici indifferenziati nell'Unione europea. Per lo smaltimento corretto, restituire il prodotto al rivenditore in occasione dell'acquisto di un nuovo dispositivo o smaltirlo nei punti di raccolta autorizzati. Ulteriori informazioni sono disponibili sul sito: [www.recyclethis.info](http://www.recyclethis.info)



Direttiva 2006/66/CE, modificata dalla direttiva 2013/56/UE (direttiva sulle batterie): questo prodotto contiene una batteria e non è possibile smaltirlo con i rifiuti domestici indifferenziati nell'Unione europea. Consultare la documentazione del prodotto per le informazioni specifiche sulla batteria. La batteria è contrassegnata con il presente simbolo, che potrebbe includere le sigle di cadmio (Cd), piombo (Pb) o mercurio (Hg). Per un corretto smaltimento, restituire la batteria al rivenditore locale o consegnarla a un punto di raccolta autorizzato. Ulteriori informazioni sono disponibili sul sito: [www.recyclethis.info](http://www.recyclethis.info).

## Istruzioni per la sicurezza



### Avvertenze

### Leggi e regolamenti

Il dispositivo deve essere utilizzato rispettando le leggi locali, le norme sulla sicurezza elettrica e le norme sulla prevenzione degli incendi.

### Sicurezza elettrica

**ATTENZIONE:** Per ridurre il rischio di incendi, sostituire i fusibili solo con altri dello stesso tipo e dello stesso valore nominale.

L'apparecchio dovrà essere installato integrandovi un gruppo di continuità per evitare che il sistema possa riavviarsi.

### Batteria

Non utilizzare il dispositivo in ambienti in cui possono essere presenti bambini.

**ATTENZIONE:** esiste il rischio di esplosione se la batteria viene sostituita con una di tipo non corretto.

La sostituzione della batteria con una di tipo non idoneo può impedire il corretto funzionamento dei sistemi di sicurezza (ad esempio con alcuni tipi di batterie al litio).

Non gettare le batterie nel fuoco o in un forno caldo ed evitare di schiacciarle o tagliarle, per prevenire il rischio di esplosioni.

Le batterie esposte a temperature ambientali eccessive possono esplodere o perdere liquidi o gas infiammabili.

Le batterie sottoposte a una pressione atmosferica estremamente bassa possono esplodere o perdere liquidi o gas infiammabili.

Smaltire le batterie usate seguendo le istruzioni.



### Precauzioni

## Prevenzione degli incendi

Non collocare sull'attrezzatura sorgenti di fiamme libere, come candele accese.

La porta seriale del dispositivo serve solo per attività di debugging.

## Superficie calda

**WARNING  
HOT SURFACE  
DO NOT TOUCH**

**ATTENZIONE:** Elementi caldi! Rischio di ustioni alle dita se si maneggiano questi elementi.

Questo adesivo indica che l'elemento contrassegnato può essere caldo e non deve essere toccato senza prestare la dovuta attenzione. Attendere mezz'ora dopo lo spegnimento dell'attrezzatura prima di toccare questi elementi.

I dispositivi con questo adesivo sono destinati all'installazione in ambienti ad accesso limitato. L'accesso è consentito solo a personale di servizio o utenti istruiti sui motivi delle limitazioni applicate all'ambiente e sulle eventuali precauzioni da adottare.

## Installazione

Installare l'attrezzatura seguendo le istruzioni del presente manuale.

Per evitare il rischio di lesioni personali, questa attrezzatura deve essere saldamente fissata al soffitto o alla parete, come indicato nelle istruzioni di installazione.

Controllare che lo spazio sia sufficiente per installare il dispositivo e gli accessori.

Verificare che la parete sia abbastanza resistente da sopportare almeno 8 volte il peso del dispositivo e del supporto.

Controllare che l'alimentazione sia interrotta, prima di cablare, installare o disassemblare il dispositivo.

## Trasporto

Per trasportare il dispositivo, riporlo nella confezione originale o in una analoga.

Non lasciar cadere il prodotto e non sottoporlo a impatti.

## Alimentazione

La fonte di alimentazione deve soddisfare i requisiti previsti per le fonti di alimentazione limitate o PS2 in conformità alle norme IEC 60950-1 o IEC 62368-1.

Consultare l'etichetta sul dispositivo per quanto riguarda l'alimentazione standard. Verificare che l'alimentazione corrisponda a quella del dispositivo.

Utilizzare un alimentatore fornito da produttori qualificati. Si consiglia di utilizzare un alimentatore indipendente per ciascun dispositivo in quanto un sovraccarico dell'adattatore potrebbe provocare surriscaldamenti o rischi di incendio.

## Sicurezza del sistema

L'utente ha la responsabilità di configurare tutte le password e le altre impostazioni di sicurezza relative al dispositivo e di conservare nome utente e password in modo sicuro.

## Manutenzione

Se il prodotto non funziona correttamente, rivolgersi al rivenditore o al centro di assistenza più vicino. Decliniamo qualsiasi responsabilità in relazione a problemi causati da interventi di riparazione o manutenzione non autorizzati.

Alcuni componenti (ad esempio, il condensatore

elettrolitico) devono essere sostituiti periodicamente. La durata media di questi elementi è variabile, quindi devono essere controllati regolarmente. Contattare il rivenditore per i dettagli.

## Pulizia

Utilizzare un panno morbido e asciutto per pulire le superfici interne ed esterne. Non utilizzare detergenti alcalini.

## Ambiente di utilizzo

Quando si utilizzano apparecchiature laser, non esporre l'obiettivo del dispositivo al raggio laser, che potrebbe bruciarlo.

Non orientare l'obiettivo verso il sole o altre luci intense.

Per evitare l'accumulo di calore è necessaria una buona ventilazione in modo da garantire un ambiente operativo adeguato.

NON esporre il dispositivo ad ambienti estremamente caldi, freddi, polverosi, corrosivi, salino-alcalini o umidi.

Per i dispositivi esterni, la temperatura di esercizio deve essere compresa tra -30 °C e 65 °C e l'umidità di esercizio deve essere inferiore al 90%. Per i dispositivi interni, la temperatura di esercizio deve essere compresa tra -10 °C e 50 °C e l'umidità di esercizio deve essere inferiore al 90%.

NON esporre il dispositivo a radiazioni elettromagnetiche intense.

## Elemento illuminante

Controllare che non ci siano superfici riflettenti nelle vicinanze dell'obiettivo del dispositivo. La luce può rientrare nell'obiettivo provocando riflessi.

Il raggio di luce alla distanza di 200 mm è classificato come Gruppo di rischio 1 (RG1). La distanza di sicurezza minima dal dispositivo è di circa 1.350 mm.

Il prodotto può emettere radiazioni ottiche pericolose. IR emesso da questo prodotto. NON fissare la sorgente luminosa mentre è accesa. Può essere dannosa per gli occhi.

Se non è disponibile una schermatura o una protezione adeguata per gli occhi, accendere la luce solo a distanza di sicurezza o in un'area non direttamente esposta alla luce.

Durante il montaggio, l'installazione o la manutenzione del dispositivo, indossare protezioni adeguate per gli occhi oppure NON accendere la luce.

## Emergenza

Se il dispositivo emette fumo, odori o rumori, spegnerlo immediatamente e scollegare il cavo di alimentazione, quindi rivolgersi a un centro di assistenza.

## Sincronizzazione dell'ora

Impostare l'ora del dispositivo manualmente per il primo accesso se l'ora locale non è sincronizzata con quella della rete. Accedere al dispositivo tramite browser/software client e passare alla sezione delle impostazioni dell'ora.

## Português



A aparência do produto serve apenas de referência e pode ser diferente do produto real.

©2023 Hangzhou Hikvision Digital Technology Co., Ltd. Todos os direitos reservados.

#### Acerca deste Manual

O Manual inclui instruções para utilizar e gerir o produto. As fotografias, os gráficos, as imagens e todas as outras informações doravante apresentadas destinam-se apenas a fins de descritivos e informativos. As informações que constam do Manual estão sujeitas a alteração, sem aviso prévio, devido a atualizações de firmware ou a outros motivos. Pode encontrar a versão mais recente deste Manual no website da Hikvision (<https://www.hikvision.com/>).

Utilize este Manual sob orientação e com a assistência de profissionais formados neste Produto.

#### Marcas comerciais

**HIKVISION** e outros logótipos e marcas comerciais da Hikvision são propriedade da Hikvision em vários territórios.

Outras marcas comerciais e logótipos mencionados são propriedade dos respetivos proprietários.

#### AVISO LEGAL

NA MEDIDA MÁXIMA PERMITIDA PELA LEI APLICÁVEL, ESTE MANUAL E O PRODUTO DESCRITO, COM O SEU HARDWARE, SOFTWARE E FIRMWARE, SÃO FORNECIDOS "TAL COMO ESTÃO" E "COM TODAS AS SUAS FALHAS E ERROS". A HIKVISION EXCLUI, DE FORMA EXPLÍCITA OU IMPLÍCITA, GARANTIAS DE, INCLUINDO E SEM LIMITAÇÃO, COMERCIALIZABILIDADE, QUALIDADE DO SERVIÇO OU ADEQUAÇÃO A UMA FINALIDADE ESPECÍFICA. A SUA UTILIZAÇÃO DESTE PRODUTO É FEITA POR SUA CONTA E RISCO. EM NENHUMA CIRCUNSTÂNCIA, A HIKVISION SERÁ RESPONSÁVEL POR SI EM RELAÇÃO A QUALQUER DANOS ESPECIAIS, CONSEQUENCIAIS, INCIDENTAIS OU INDIRETOS, INCLUINDO, ENTRE OUTROS, DANOS PELA PERDA DE LUCROS COMERCIAIS, INTERRUPÇÃO DA ATIVIDADE, PERDA DE DADOS, CORRUPÇÃO DE SISTEMAS OU PERDA DE DOCUMENTAÇÃO SEJA COM BASE NUMA VIOLAÇÃO DO CONTRATO, ATOS ILÍCITOS (INCLUINDO NEGLIGÊNCIA), RESPONSABILIDADE PELO PRODUTO OU, DE OUTRO MODO, RELACIONADA COM A UTILIZAÇÃO DO PRODUTO, AINDA QUE A HIKVISION TENHA SIDO AVISADA SOBRE A POSSIBILIDADE DE TAIS DANOS OU PERDAS.

O UTILIZADOR RECONHECE QUE A NATUREZA DA INTERNET OFERECE RISCOS DE SEGURANÇA INERENTES E QUE A HIKVISION NÃO SERÁ RESPONSABILIZADA POR UM FUNCIONAMENTO ANORMAL, PERDA DE PRIVACIDADE OU OUTROS DANOS RESULTANTES DE ATAQUES INFORMÁTICOS, ATAQUES DE PIRATARIA, INFECÇÃO POR VÍRUS OU OUTROS RISCOS ASSOCIADOS À SEGURANÇA DA INTERNET. NO ENTANTO, A HIKVISION PRESTARÁ APOIO TÉCNICO ATEMPADO, SE SOLICITADO.

O UTILIZADOR ACEITA UTILIZAR ESTE PRODUTO EM CONFORMIDADE COM TODAS AS LEIS APLICÁVEIS E SER O ÚNICO RESPONSÁVEL POR GARANTIR QUE A SUA UTILIZAÇÃO É CONFORME À LEI APLICÁVEL. PARTICULARMENTE, O UTILIZADOR É O RESPONSÁVEL PELA UTILIZAÇÃO DESTE PRODUTO DE MODO QUE NÃO INFRINJA OS DIREITOS DE TERCEIROS, INCLUINDO, ENTRE OUTROS, OS DIREITOS DE PUBLICIDADE, DIREITOS DE PROPRIEDADE INTELECTUAL OU DE PROTEÇÃO DE

DADOS, OU QUALQUER OUTROS DIREITOS DE PRIVACIDADE. O UTILIZADOR NÃO PODERÁ UTILIZAR ESTE PRODUTO PARA QUALQUER UTILIZAÇÕES FINAIS PROIBIDAS, INCLUINDO O DESENVOLVIMENTO OU PRODUÇÃO DE ARMAS DE DESTRUÇÃO MACIÇA, DESENVOLVIMENTO OU PRODUÇÃO DE QUÍMICOS OU ARMAS BIOLÓGICAS, QUALQUER ATIVIDADES DESENVOLVIDAS NO ÂMBITO DE EXPLOSIVOS NUCLEARES OU CICLOS DE COMBUSTÍVEL NUCLEAR INSEGURO OU PARA APOIAR ABUSOS AOS DIREITOS HUMANOS.

NA EVENTUALIDADE DE QUALQUER CONFLITO ENTRE ESTE MANUAL E A LEI APLICÁVEL, A ÚLTIMA PREVALECE.

#### Informações sobre as normas reguladoras

**As presentes cláusulas aplicam-se apenas aos produtos que apresentam a marcação ou informação correspondentes.**

#### Declaração de conformidade da UE

**CE** Este produto e - se aplicável - os acessórios fornecidos também têm a marcação "CE" e estão em conformidade com as normas europeias harmonizadas aplicáveis enumeradas na Diretiva 2014/30/UE (EMC), Diretiva 2014/35/UE (LVD) e Diretiva 2011/65/UE (RoHS).

Pelo presente documento, a Hangzhou Hikvision Digital Technology Co., Ltd. declara que este dispositivo (consultar rótulo) se encontra em conformidade com a Diretiva 2014/53/UE. O texto integral da declaração de conformidade da UE está disponível no seguinte endereço de Internet: <https://www.hikvision.com/europe/support/download/declaration-of-conformity/>.

Para dispositivos sem adaptador de alimentação incluído, utilize um adaptador de alimentação fornecido por um fabricante qualificado. Para informações detalhadas sobre os requisitos relativos à alimentação, consulte as especificações do produto.

Para dispositivos sem bateria incluída, utilize uma bateria fornecida por um fabricante qualificado. Para informações detalhadas sobre os requisitos relacionados com a bateria, consulte as especificações do produto.

#### Bandas de frequência e potência (para CE)

As bandas de frequência e os limites nominais da potência de transmissão (radiada e/ou conduzida) aplicáveis ao equipamento de rádio abaixo são os seguintes:

#### EXPOSIÇÃO A RADIOFREQUÊNCIA (RF)


Aplica-se ao seguinte modelo de dispositivo: DS-2DE\*4G\*


As bandas e os modos de frequência e os limites nominais de potência transmitida (radiada e/ou conduzida) aplicáveis a este dispositivo de rádio são os seguintes:

Wi-Fi 2,4 GHz (2,4 GHz – 2,4835 GHz)	20 dBm
GSM850: 824 – 849 MHz	32,5±1 dBm
GSM900: 880 – 915 MHz	32,5±1 dBm

DCS1800: 1710 – 1785 MHz	29,5±1 dBm
Banda I WCDMA: 1920 – 1980 MHz	23,5±1 dBm
Banda V WCDMA: 824 – 849 MHz	23,5±1 dBm
Banda VIII WCDMA: 880 – 915 MHz	23,5±1 dBm
Banda LTE 1: 1920 – 1980 MHz	23±1 dBm
Banda LTE 3: 1710 – 1785 MHz	23±1 dBm
Banda LTE 5: 824 – 849 MHz	23±1 dBm
Banda LTE 7: 2500 – 2570 MHz	23±1 dBm
Banda LTE 8: 880 – 915 MHz	23±1 dBm
Banda LTE 20: 832 – 862 MHz	23±1 dBm
LTE Banda 28: 703 – 748 MHz	23±1 dBm
Banda LTE 38: 2570 – 2620 MHz	23±1 dBm
Banda LTE 40: 2300 – 2400 MHz	23±1 dBm
Banda LTE 41: 2555 – 2655 MHz	23±1 dBm

Nota: Alguns modelos funcionam apenas em canais Wi-Fi específicos. Consulte a ficha de dados para obter mais informação.

 2012/19/UE (Diretiva REEE): Os produtos com este símbolo não podem ser eliminados como resíduos urbanos indiferenciados na União Europeia. Para uma reciclagem adequada, devolva este produto ao seu fornecedor local quando adquirir um novo equipamento equivalente ou elimine-o através dos pontos de recolha adequados. Para obter mais informações consulte: [www.recyclethis.info](http://www.recyclethis.info)

 A Diretiva 2013/56/UE, que revoga a Diretiva 2006/66/CE (diretiva relativa a pilhas e acumuladores): Este produto contém uma bateria que não pode ser eliminada como resíduo urbano indiferenciado na União Europeia. Consulte a documentação do produto para obter informações específicas acerca da bateria. A bateria está marcada com este símbolo, que poderá incluir inscrições para indicar a presença de cádmio (Cd), chumbo (Pb), ou mercúrio (Hg). Para uma reciclagem adequada, devolva a bateria ao seu fornecedor local ou num ponto de recolha designado. Para obter mais informações consulte: [www.recyclethis.info](http://www.recyclethis.info).

## Instruções de segurança

 **Aviso**

### Legislação e regulamentos

O dispositivo deve ser utilizado em conformidade com as leis, regulamentos de segurança elétrica e regulamentos de prevenção de incêndios locais.

### Segurança elétrica

**ADVERTÊNCIA:** Para reduzir o risco de incêndio, o fusível deve ser substituído apenas por outro do mesmo tipo e com a mesma potência.

Este equipamento será instalado integrado com UPS (Fonte de Alimentação Ininterrupta) para evitar o

risco de reiniciar.

### Bateria

Este equipamento não se adequa a utilização em locais onde a presença de crianças seja provável.

**ADVERTÊNCIA:** Existe risco de explosão se a bateria for substituída por outra de tipo incorreto.


A substituição incorreta da bateria por outra de tipo incorreto pode destruir uma proteção (por exemplo, no caso de alguns tipos de bateria de lítio).

Não proceda à eliminação da bateria numa fogueira ou forno quente, ou mediante esmagamento ou corte mecânico da mesma pois tal pode resultar numa explosão.

Não deixe a bateria num ambiente com temperaturas extremamente elevadas pois tal pode resultar numa explosão ou na fuga de líquido inflamável ou gás.

Não sujeite a bateria a pressão de ar extremamente baixa pois tal poderá resultar numa explosão de líquido inflamável ou gás.

Elimine pilhas/baterias usadas de acordo com as instruções.


 **Advertência**

### Prevenção de incêndios

Não deverão ser colocadas fontes de chama livre, como velas acesas, sobre o equipamento.

A porta série do equipamento é utilizada apenas para a depuração.

### Superfície quente

 **ADVERTÊNCIA:** Peças quentes! Queimadura dos dedos resultante do manuseamento das peças.

Este autocolante indica que o elemento assinalado pode estar quente, pelo que não lhe deve tocar sem a devida precaução. Desligue o equipamento, aguarde trinta minutos e só então deverá manusear as peças.

O dispositivo com este autocolante deve ser instalado num local com acesso restrito. Apenas poderão ter acesso a esse dispositivo funcionários e utilizadores que tenham sido instruídos relativamente aos motivos pelos quais essas restrições de localização têm de ser aplicadas e que tenham sido alertados para os cuidados a adotar.

### Instalação

Instale o equipamento de acordo com as instruções constantes deste manual.

Para evitar ferimentos, este equipamento deve ser fixo corretamente ao teto/parede em conformidade com as instruções de instalação.

Certifique-se de que existe espaço suficiente para instalar o dispositivo e os acessórios.

Certifique-se de que a parede é suficientemente resistente para suportar, pelo menos, 8 vezes o peso do dispositivo e do suporte.

Certifique-se de que a alimentação está desligada antes de instalar ou desmontar o dispositivo, assim como antes de ligar cabos ao mesmo.

### Transporte

Mantenha o dispositivo na embalagem original ou similar, quando o transportar.

Não deixe o produto cair, nem o sujeite a impactos

físicos.

### Alimentação elétrica

A fonte de alimentação deve cumprir com os requisitos da fonte de alimentação limitada ou da PS2 (fonte de alimentação de classe 2) de acordo com a norma IEC 60950-1 ou IEC 62368-1.

Consulte na etiqueta do dispositivo qual a alimentação elétrica padrão. Certifique-se de que a alimentação elétrica disponível coincide com a do dispositivo.

Utilize um adaptador de alimentação fornecido por fabricantes qualificados. Recomenda-se a utilização de um adaptador de alimentação para cada dispositivo, uma vez que a sobrecarga do adaptador pode causar sobreaquecimento ou levar a risco de incêndio.

### Segurança do sistema

Por favor, tenha em consideração que a configuração das palavras-passe e de outras definições de segurança do dispositivo são da sua responsabilidade, assim como o guardar do seu nome de utilizador e da sua palavra-passe.

### Manutenção

Se o produto não funcionar corretamente, contacte o seu fornecedor ou o seu centro de assistência mais próximo. Não assumimos qualquer responsabilidade por problemas causados por reparações ou manutenções não autorizadas.

Alguns componentes do dispositivo (por exemplo, condensador eletrolítico) necessita de substituição regular. A duração média varia, portanto, recomenda-se verificação periódica. Entre em contacto com o respetivo revendedor para obter detalhes.

### Limpeza

Utilize um pano macio e seco para limpar as superfícies interiores e exteriores. Não utilize detergentes alcalinos.

### Ambiente da utilização

Quando estiver a utilizar qualquer equipamento a laser, verifique se a lente do dispositivo não se encontra exposta ao feixe de laser, caso contrário pode queimar.

Não direcione a lente para o sol nem para qualquer outra luz brilhante.

Para evitar acumulação de calor, é necessária uma boa ventilação para um bom ambiente de funcionamento.

**NÃO** exponha o dispositivo a ambientes extremamente quentes, frios, poeirentos, corrosivos, alcalino salinos ou húmidos.

Para os dispositivos exteriores, a temperatura de funcionamento deverá estar entre -30 °C e 65 °C e a humidade de funcionamento deverá ser inferior a 90%. Para os dispositivos interiores, a temperatura de funcionamento deverá estar entre -10 °C e 50 °C e a humidade de funcionamento deverá ser inferior a 90%.

**NÃO** exponha o dispositivo a radiação eletromagnética elevada.

### Iluminador

Certifique-se de que nenhuma superfície refletora está muito próxima da lente do dispositivo. A luz do dispositivo pode ser refletida na lente, provocando reflexo.

O feixe de luz à distância de 200 mm é classificado como Grupo de Risco 1 (GR1). A distância mínima de segurança é de aproximadamente 1350 mm do dispositivo.

Este produto emite radiação ótica potencialmente perigosa. IV emitidos por este produto. NÃO fixe o olhar na fonte de luz em funcionamento. Pode ser prejudicial aos olhos.

Se não tiver blindagem ou proteção ocular disponível, acenda a luz apenas a uma distância adequada ou numa área que não esteja exposta diretamente à luz.

Durante a montagem, instalação ou manutenção do dispositivo, NÃO acenda a luz, ou use proteção ocular.

### Emergência

Caso o dispositivo emita fumo, odores ou ruídos, desligue a alimentação elétrica de imediato, retire o cabo de alimentação da tomada e contacte o centro de assistência.

### Sincronização da hora

Se a hora local não estiver sincronizada com a da rede, configure a hora do dispositivo manualmente quando o utilizar pela primeira vez. Aceda ao dispositivo através do browser/software do cliente e visite a interface das definições da hora.

## Nederlands



Het uiterlijk van het product is alleen bedoeld als referentie en kan verschillen van het werkelijke product.

©2023 Hangzhou Hikvision Digital Technology Co., Ltd. Alle rechten voorbehouden.

### Over deze handleiding

De handleiding bevat instructies voor het gebruik en beheer van het product. Afbeeldingen, grafieken, afbeeldingen en alle andere informatie hierna worden verstrekt voor beschrijving en uitleg. De informatie in de handleiding is onderhevig aan verandering, zonder voorafgaande kennisgeving, als gevolg van firmware-updates of andere redenen. U kunt de nieuwste versie van deze handleiding vinden op de Hikvision-website (<https://www.hikvision.com/>).

Gebruik deze handleiding onder begeleiding en ondersteuning van professionals die zijn opgeleid voor het ondersteunen van het product.

### Handelsmerken

**HIKVISION** en andere handelsmerken en logo's van Hikvision zijn eigendom van Hikvision in de verschillende jurisdicties.

Andere handelsmerken en logo's zijn het eigendom van hun respectieve eigenaren.

### VRIJWARINGSCLAUSULE

VOOR ZOVER MAXIMAAL TOEGESTAAN OP GROND VAN HET TOEPASSELIJK RECHT, WORDEN DEZE HANDLEIDING EN HET OMSCHREVEN PRODUCT, INCLUSIEF HARDWARE, SOFTWARE EN FIRMWARE, GELEVERD 'ZOALS ZE ZIJN', INCLUSIEF 'FOUTEN EN GEBREKEN'. HIKVISION GEEFT GEEN GARANTIES, EXPLICIET NOCH IMPLICIET, INCLUSIEF ZONDER BEPERKING OMTRENT VERKOOPBAARHEID, TEVREDENHEID OMTRENT KWALITEIT OF



GESCHIKTHEID VOOR EEN BEPAALD DOEL. HET GEBRUIK VAN HET PRODUCT DOOR U IS OP EIGEN RISICO. IN GEEN GEVAL IS HIKVISION VERANTWOORDELIJK VOOR SPECIALE, BIJKOMENDE, INCIDENTELE OF INDIRECTE SCHADE, WAARONDER, ONDER ANDERE, SCHADE VAN VERLIES AAN ZAKELIJKE WINST, ZAKELIJKE ONDERBREKING OF VERLIES VAN GEGEVENS, CORRUPTE OF SYSTEMEN, OF VERLIES VAN DOCUMENTATIE, ONGEACHT OF DIT VOORTVLOEIT UIT CONTRACTBREUK, BENADELING (INCLUSIEF NALATIGHEID), PRODUCTAANSPRAKELIJKHEID OF ANDERS, MET BETREKKING TOT HET PRODUCT, ZELFS ALS HIKVISION OP DE HOOGTE IS GEBRACHT VAN ZULKE SCHADE OF VERLIES.

U ERKENT DAT DE AARD VAN INTERNET INHERENTE VEILIGHEIDSRISICO'S MET ZICH MEE BRENGT, EN HIKVISION GEEN ENKELE VERANTWOORDELIJKHEID NEEMT VOOR ABNORMALE WERKING, PRIVACYLEKKEN OF ANDERE SCHADE DIE VOORTVLOEIT UIT CYBERAANVAL, HACKERAANVAL, VIRUSINFECTIE, OF ANDERE INTERNETVEILIGHEIDSRISICO'S; HIKVISION BIEDT INDIEN NODIG ECHTER TIJDELIJK TECHNISCHE ONDERSTEUNING.

U GAAT AKKOORD MET HET GEBRUIK VAN DIT PRODUCT IN OVEREENSTEMMING MET ALLE TOEPASBARE WETTEN EN UITSLUITEND U BENT VERANTWOORDELIJK VOOR DE GARANTIE DAT UW GEBRUIK OVEREENSTEMT MET DE TOEPASBARE WET. U BENT VOORAL VERANTWOORDELIJK DAT HET GEBRUIK VAN DIT PRODUCT GEEN INBREUK MAAKT OP DE RECHTEN VAN DERDEN, INCLUSIEF EN ZONDER BEPERKING DE RECHTEN VAN PUBLICITEIT, INTELLECTUEEL EIGENDOM, OF GEGEVENSBEWAKING EN ANDERE PRIVACYRECHTEN. U MAG DIT PRODUCT NIET GEBRUIKEN VOOR ENIGE ONWETTIG EINDGEBRUIK, MET INBEGRIJ VAN DE ONTWIKKELING OF DE PRODUCTIE VAN MASSAVERNIEGINGSWAPENS, DE ONTWIKKELING OF DE PRODUCTIE VAN CHEMISCHE OF BIOLOGISCHE WAPENS, ALLE ACTIVITEITEN IN HET KADER VAN EVENTUELE NUCLEAIRE EXPLOSIEVEN OF ONVEILIGE NUCLEAIRE BRANDSTOF CYCLUS, OF TER ONDERSTEUNING VAN MENSENRECHTENSCHENDINGEN.

IN HET GEVAL VAN ENIGE CONFLICTEN TUSSEN DEZE HANDLEIDING EN DE TOEPASSELIJKE WETGEVING, PREVALEERT DE LAATSTE.

## Informatie met betrekking tot regelgeving

**Deze clausules zijn alleen van toepassing op de producten die de overeenkomende markering of informatie dragen.**

## Nalevingsverklaring EU

**CE** Dit product en - indien van toepassing - de meegeleverde accessoires dragen het merkteken "CE" en voldoen derhalve aan de toepasselijke geharmoniseerde Europese normen onder richtlijn 2014/30/EU (EMCD), richtlijn 2014/35/EU (LVD) en richtlijn 2011/65/EU (RoHS). Hierbij verklaart Hangzhou Hikvision Digital Technology Co., Ltd. dat dit apparaat (zie het etiket) in overeenstemming is met Richtlijn 2014/53/EU. De volledige tekst van de EU-conformiteitsverklaring kunt u vinden op het volgende internetadres:

<https://www.hikvision.com/europe/support/download/declaration-of-conformity/>.

Voor een apparaat zonder meegeleverde voedingsadapter, dient u de voedingsadapter te gebruiken van een gekwalificeerde fabrikant. Raadpleeg de productspecificaties voor nauwkeurig omschreven vereisten omtrent de voeding.

Voor een apparaat zonder meegeleverde batterij, dient u de batterij te gebruiken van een gekwalificeerde fabrikant. Raadpleeg de productspecificaties voor nauwkeurig omschreven vereisten omtrent de batterij.

## Frequentiebanden en vermogen (voor CE)

De nominale limieten voor frequentiebanden en zendvermogen (uitgestraald en/of geleid) die van toepassing zijn op de volgende radioapparatuur zijn als volgt:

### BLOOTSTELLING AAN RADIOFREQUENTIE RF

Van toepassing op onderstaande productmodellen: DS-2DE\*4G\*

De frequentiebanden en -modi en de nominale limieten van het uitgezonden vermogen (uitgestraald en/of geleid) die van toepassing zijn op dit radioapparaat, zijn de volgende:

Wi-Fi 2,4 GHz (2,4 GHz – 2,4835 GHz)	20 dBm
GSM850: 824 – 849 MHz	32,5±1 dBm
GSM900: 880 – 915 MHz	32,5±1 dBm
DCS1800: 1710 – 1785 MHz	29,5±1 dBm
WCDMA-band I: 1920 – 1980 MHz	23,5±1 dBm
WCDMA-band V: 824 – 849 MHz	23,5±1 dBm
WCDMA-band VIII: 880 – 915 MHz	23,5±1 dBm
LTE-band 1: 1920 – 1980 MHz	23±1 dBm
LTE-band 3: 1710 – 1785 MHz	23±1 dBm
LTE-band 5: 824 – 849 MHz	23±1 dBm
LTE-band 7: 2500 – 2570 MHz	23±1 dBm
LTE-band 8: 880 – 915 MHz	23±1 dBm
LTE-band 20: 832 – 862 MHz	23±1 dBm
LTE-band 28: 703 – 748 MHz	23±1 dBm
LTE-band 38: 2570 – 2620 MHz	23±1 dBm
LTE-band 40: 2300 – 2400 MHz	23±1 dBm
LTE-band 41: 2555 – 2655 MHz	23±1 dBm

Opmerking: Sommige modellen worden alleen ondersteund om te werken op specifieke winkkanalen. Raadpleeg het gegevensblad voor details.



2012/19/EU (WEEE-richtlijn): Producten die met dit symbool zijn gemarkeerd mogen binnen de Europese Unie niet worden weggegooid als ongesorteerd huishoudelijk afval. Lever dit product voor een juiste recycling in bij uw plaatselijke leverancier bij aankoop van soortgelijke nieuwe apparatuur, of breng het naar daarvoor aangewezen inzamelpunten. Zie voor meer informatie: [www.recyclethis.info](http://www.recyclethis.info)



2006/66/EU en het amendement 2013/56/EU (richtlijn batterijen): Dit product bevat een batterij die binnen de Europese Unie niet mag worden weggegooid als ongesorteerd huishoudelijk afval. Zie de productdocumentatie voor specifieke informatie over de batterij. De batterij is gemarkeerd met dit symbool, dat letters kan bevatten die cadmium (Cd), lood (Pb) of kwik (Hg) aanduiden. Lever de batterij voor een juiste recycling in bij uw leverancier of bij een daarvoor aangewezen inzamelpunt. Zie voor meer informatie: [www.recyclethis.info](http://www.recyclethis.info).

## Veiligheidsinstructies



### Waarschuwingen

#### Wet- en regelgeving

Het apparaat moet worden gebruikt in overeenstemming met lokale wetgeving, elektrische veiligheidsvoorschriften en voorschriften voor brandpreventie.

#### Elektrische veiligheid

LET OP: Vervang de zekering uitsluitend door een exemplaar van hetzelfde type en vermogen om het risico van brand te reduceren.

Deze apparatuur moet worden geïnstalleerd in combinatie met een UPS om het risico van opnieuw starten te vermijden.

#### Batterij

Deze apparatuur is niet geschikt voor gebruik op locaties waar waarschijnlijk kinderen aanwezig zijn.

LET OP: Er bestaat explosiegevaar wanneer de batterij door een onjuist type wordt vervangen.

Onjuiste vervanging van de batterij door een onjuist type kan een beveiliging omzeilen (bijvoorbeeld in het geval van sommige typen lithiumbatterijen).

Gooi de batterij niet in vuur of een hete oven en plet of snij de batterij niet op mechanische wijze, want dat kan een explosie veroorzaken.

Laat de batterij niet in een omgeving met een extreem hoge temperatuur liggen, want dat kan een explosie of het lekken van brandbare vloeistof of gas tot gevolg hebben.

Stel de batterij niet bloot aan extreem lage luchtdruk, want dat kan een explosie of het lekken van brandbare vloeistof of gas tot gevolg hebben.

Verwijder gebruikte batterijen in overeenstemming met de instructies.



### Voorzichtigheden

#### Brandveiligheid

Plaats geen bronnen met open vuur, zoals brandende kaarsen, op het apparaat.

De seriële poort van de apparatuur wordt alleen gebruikt voor foutopsporing.

#### Warm oppervlak



LET OP: Hete onderdelen! Verbrande vingers bij het hanteren van de onderdelen. Deze sticker is om aan te geven dat het gemarkeerde item heet kan zijn en niet mag

worden aangeraakt zonder voorzichtig te zijn. Wacht een half uur na het uitschakelen voordat u onderdelen aanraakt.

Het apparaat met deze sticker is bestemd voor installatie op een locatie met beperkte toegang. Toegang kan alleen worden verkregen door onderhoudsmedewerkers of door gebruikers die zijn geïnstrueerd over de redenen voor de beperkingen die op de locatie worden toegepast en over de voorzorgsmaatregelen die moeten worden genomen.

#### Installatie

Installeer de apparatuur volgens de instructies in deze handleiding.

Om letsel te voorkomen moet deze apparatuur in overeenstemming met de installatie-instructies stevig aan het plafond of de muur worden bevestigd.

Zorg ervoor dat er voldoende ruimte is om het apparaat en de accessoires te installeren.

Zorg ervoor dat de muur sterk genoeg is om minstens 8 keer het gewicht van het apparaat en de houder te kunnen dragen.

Controleer eerst of de voeding is losgekoppeld voor u het apparaat bekabelt, installeert of demonteert.

#### Transport

Bewaar het apparaat in de originele of soortgelijke verpakking tijdens vervoer.

Laat het product niet vallen en stel het apparaat niet bloot aan schokken.

#### Stroomvoorziening

De stroombron moet voldoen aan de vereisten voor beperkte stroombronnen of PS2-vereisten volgens de normen IEC 60950-1 of IEC 62368-1.

Zie het apparaatlabel voor de standaard stroomvoorziening. Zorg ervoor dat uw stroomvoorziening dezelfde is als die van uw apparaat.

Gebruik een door een gekwalificeerde fabrikant geleverde netstroomadapter. Het wordt aanbevolen om voor elk apparaat een onafhankelijke netstroomadapter te gebruiken, aangezien overbelasting van de adapter oververhitting of brandgevaar kan veroorzaken.

#### Systeembeveiliging

Wij vragen uw begrip voor het feit dat u verantwoordelijkheid bent voor het configureren van alle wachtwoorden en andere beveiligingsinstellingen betreffende het apparaat, en bewaar uw gebruikersnaam en wachtwoord.

#### Onderhoud

Als het product niet goed werkt, neem dan contact op met uw leverancier of het dichtstbijzijnde servicecentrum. Wij aanvaarden geen verantwoordelijkheid voor problemen die zijn veroorzaakt door ongeautoriseerde reparatie of onderhoud.

Een paar componenten van het apparaat (o.a. elektrolytische condensator) vereisen regelmatige vervanging. De gemiddelde levensduur varieert, dus periodieke controle wordt aanbevolen. Neem contact op met uw leverancier voor meer informatie.

#### Reiniging

Gebruik een zachte en droge doek om de binnenkant en buitenkant te reinigen. Gebruik geen alkalische schoonmaakmiddelen.



## Gebruiksomgeving

Wanneer laserapparatuur in gebruik is, zorg er dan voor dat de lens van het apparaat niet wordt blootgesteld aan de laserstraal, anders kan deze doorbranden.

Richt de lens niet op de zon of een ander fel licht. Om warmteopphoping te voorkomen is goede ventilatie vereist voor een juiste bedrijfsomgeving. Stel het apparaat niet bloot aan extreem warme, koude, stoffige, corrosieve, zout-alkalische of vochtige omgevingen.

Voor buitenapparatuur moet de bedrijfstemperatuur -30 °C tot 65 °C zijn en de werkluchtvochtigheid lager dan 90%. Voor binnenapparatuur moet de bedrijfstemperatuur -10 °C tot 50 °C zijn en de werkluchtvochtigheid lager dan 90%.

Stel het apparaat NIET bloot aan hoge elektromagnetische straling.

## Lamp

Zorg ervoor dat er geen reflecterende oppervlakken dicht bij de lens van het apparaat zijn. Het licht van het apparaat kan terugkaatsen in de lens waardoor reflectie ontstaat.

De lichtbundel op een afstand van 200 mm wordt ingedeeld als risicogroep 1 (RG1). De minimale veilige afstand is ongeveer 1350 mm vanaf het apparaat.

Dit product stoot mogelijk gevaarlijke optische straling uit. Dit product stoot infraroodstraling uit. Staar NIET in de operationele lichtbron. Dit kan schadelijk zijn voor uw ogen.

Als geschikte afscherming of oogbescherming niet beschikbaar is, schakel het licht dan alleen in op een veilige afstand of op een plek die niet direct aan het licht wordt blootgesteld.

Schakel het licht NIET in en draag GEEN oogbescherming wanneer u het apparaat monteert, installeert of onderhoudt.

## Noodgeval

Als er rook, geur of geluid uit het apparaat komt, schakel het dan onmiddellijk uit, haal de stekker van het netsnoer uit het stopcontact en neem contact op met het servicecentrum.

## Tijdsynchronisatie

Stel tijd op het apparaat handmatig in bij de eerste aanmelding, als de lokale tijd niet is gesynchroniseerd met die van het netwerk. Bezoek het apparaat via webbrowser/clientsoftware en ga naar de interface voor tijdsinstellingen.

## Čeština



Vzhled výrobku slouží pouze jako reference a může se od skutečného výrobku lišit.

©2023 Hangzhou Hikvision Digital Technology Co., Ltd. Všechna práva vyhrazena.

## Informace o tomto návodu

V návodu jsou obsaženy pokyny k používání a obsluze výrobku. Obrázky, schémata, snímky a veškeré ostatní zde uvedené informace slouží pouze jako popis a vysvětlení. Informace obsažené v tomto návodu podléhají vzhledem k aktualizacím firmwaru nebo z jiných důvodů změnám bez upozornění. Nejnovější verzi tohoto návodu naleznete na webových stránkách společnosti Hikvision

(<https://www.hikvision.com/>).

Tento návod používejte s vedením a pomocí odborníků vyškolených v oblasti podpory výrobku.

## Ochranné známky

**HIKVISION** a ostatní ochranné známky a loga společnosti Hikvision jsou vlastnictvím společnosti Hikvision v různých jurisdikcích.

Ostatní ochranné známky a loga uvedené v této příručce jsou majetkem příslušných vlastníků.

## PROHLÁŠENÍ O VYLOUČENÍ ODPOVĚDNOSTI

TATO PŘÍRUČKA A POPISOVANÉ PRODUKTY VČETNĚ PŘÍSLUŠNÉHO HARDWARU, SOFTWARE A FIRMWARU JSOU V MAXIMÁLNÍM ROZSAHU PŘÍPUSTNÉM PODLE ZÁKONA POSKYTOVÁNÍ „JAK STOJÍ A LEŽÍ“, A „SE VŠEMI VADAMI A CHYBAMI“. SPOLEČNOST HIKVISION NEPOSKYTUJE ŽÁDNÉ VÝSLOVNĚ ANI PŘEDPOKLÁDANÉ ZÁRUKY ZAHRNÚJÍCÍ MIMO JINÉ PRODEJNOST, USPOKOJIVOU KVALITU NEBO VHODNOST KE KONKRÉTNÍM ÚČELŮM. POUŽÍVÁNÍ TOHOTO PRODUKTU JE NA VAŠE VLASTNÍ RIZIKO. SPOLEČNOST HIKVISION V ŽÁDNÉM PŘÍPADĚ NENESE ODPOVĚDNOST ZA JAKÉKOLI ZVLÁŠTNÍ, NÁSLEDNĚ, NÁHODNĚ NEBO NEPŘÍMÉ ŠKODY ZAHRNÚJÍCÍ MIMO JINÉ ŠKODY ZE ZTRÁTY AŘECHODNÍHO ZISKU, PŘERUŠENÍ OBCHODNÍ ČINNOSTI NEBO ZTRÁTY DAT, POŠKOZENÍ SYSTÉMŮ NEBO ZTRÁTY DOKUMENTACE V SOUVISLOSTI S POUŽÍVÁNÍM TOHOTO VÝROBKU BEZ OHLEDU NA TO, ZDA TAKOVÉ ŠKODY VZNIKLY Z DŮVODU PORUŠENÍ SMLOUVY, OBČANSKOPRÁVNÍHO PŘEČINU (VČETNĚ NEDBALOSTI) ČI ODPOVĚDNOSTI ZA PRODUKT, A TO ANI V PŘÍPADĚ, ŽE SPOLEČNOST HIKVISION BYLA NA MOŽNOST TAKOVÝCHTO ŠKOD NEBO ZTRÁTY UPOZORNĚNA.

BERETE NA VĚDOMÍ, ŽE INTERNET SVOU PODSTATOU PŘEDSTAVUJE SKRYTÁ BEZPEČNOSTNÍ RIZIKA A SPOLEČNOST HIKVISION PROTO NEPŘEBÍRÁ ŽÁDNOU ODPOVĚDNOST ZA NESTANDARDNÍ PROVOZNÍ CHOVÁNÍ, ÚNIK OSOBNÍCH ÚDAJŮ NEBO JINÉ ŠKODY VYPLYVAJÍCÍ Z KYBERNETICKÉHO ČI HACKERSKÉHO ÚTOKU, NAPADENÍ VÍREM NEBO ŠKODY ZPŮSOBENÉ JINÝMI INTERNETOVÝMI BEZPEČNOSTNÍMI RIZIKY; SPOLEČNOST HIKVISION VŠAK V PŘÍPADĚ POTŘEBY POSKYTNE VČASNOU TECHNICKOU PODPORU.

SOUHLAŠÍTE S TÍM, ŽE TENTO PRODUKT BUDE POUŽÍVÁN V SOULADU SE VŠEMI PLATNÝMI ZÁKONY A VYHRADNĚ ODPOVÍDÁTE ZA ZAJIŠTĚNÍ, ŽE VAŠE UŽÍVÁNÍ BUDE V SOULADU S PLATNOU LEGISLATIVOU. ODPOVÍDÁTE ZEJMĚNA ZA POUŽÍVÁNÍ PRODUKTU ZPŮSOBEM, KTERÝ NEPORUŠUJE PRAVA TŘETÍCH STRAN, COŽ ZAHRNÚJE MIMO JINÉ PRAVO NA OCHRANU OSOBNOSTI, PRAVO DŮŠEVNÍHO VLASTNICTVÍ NEBO PRAVO NA OCHRANU OSOBNÍCH ÚDAJŮ A DALŠÍ PRAVA NA OCHRANU SOUKROMÍ. TENTO PRODUKT NESMÍTE POUŽÍVAT K JAKÝMKOLI NEDOVOLENÝM KONCOVÝM ÚČELŮM VČETNĚ VÝVOJE ČI VÝROBY ZBRANÍ HROMADNÉHO NIČENÍ, VÝVOJE NEBO VÝROBY CHEMICKÝCH ČI BIOLOGICKÝCH ZBRANÍ NEBO JAKÝCHKOLI ČINNOSTI SOUVISEJÍCÍCH S JADERNÝMI VÝBUŠKINAMI NEBO NEBEZPEČNÝM JADERNÝM PALIVOVÝM CYKLEM ČI K PODPŮŘE PORUŠOVÁNÍ LIDSKÝCH PRAV.

V PŘÍPADĚ JAKÉHOKOLI ROZPORU MEZI TÍMTO NÁVODEM A PŘÍSLUŠNÝMI ZÁKONY PLATÍ DRUHÉ ZMÍNĚNÉ.

## Zákonné informace

**Tyto části se vztahují pouze k výrobkům nesoucím odpovídající označení nebo informaci.**

### Prohlášení o shodě EU



Tento výrobek a případně i dodané příslušenství mají označení „CE“, a tudíž splňují požadavky platných harmonizovaných evropských norem uvedených ve směrnici 2014/30/EU (EMCD), směrnici 2014/35/EU (LVD) a směrnici 2011/65/EU (RoHS). Společnost Hangzhou Hikvision Digital Technology Co., Ltd. tímto prohlašuje, že toto zařízení (viz štítek) je v souladu se směrnicí 2014/53/EU. Plně znění EU prohlášení o shodě je k dispozici na následující webové adrese:  
<https://www.hikvision.com/europe/support/download/declaration-of-conformity/>.

U zařízení bez dodaného napájecího adaptéru použijte napájecí adaptér dodaný kvalifikovaným výrobcem. Podrobné požadavky na napájení naleznete ve specifikaci výrobku.

U zařízení bez dodané baterie použijte baterii dodanou kvalifikovaným výrobcem. Podrobné požadavky na baterii naleznete ve specifikaci výrobku.

### Frekvenční pásma a výkon (pro CE)

Frekvenční pásma a jmenovité limity výšlachi výkonu (vyzařovaného anebo vedeného) platné pro následující rádiová zařízení jsou tato:

#### VYSTAVENÍ RADIOFREKVENČNÍMU ZÁŘENÍ

Platí pro následující modely zařízení:  
 DS-2DE\*4G\*

Frekvenční pásma a režimy a jmenovité limity přeneseného výkonu (vyzařovaného anebo vedeného) jsou ve vztahu k tomuto rádiovému zařízení následující:

Wi-Fi 2,4 GHz (2,4–2,483 5 GHz)	20 dBm
GSM850: 824–849 MHz	32,5 ± 1 dBm
GSM900: 880–915 MHz	32,5 ± 1 dBm
DCS1800: 1710–1785 MHz	29,5 ± 1 dBm
Pásmo WCDMA I: 1920–1980 MHz	23,5 ± 1 dBm
Pásmo WCDMA V: 824–849 MHz	23,5 ± 1 dBm
Pásmo WCDMA VIII: 880–915 MHz	23,5 ± 1 dBm
LTE pásmo 1: 1920–1980 MHz	23 ± 1 dBm
LTE pásmo 3: 1710–1785 MHz	23 ± 1 dBm
LTE pásmo 5: 824–849 MHz	23 ± 1 dBm
LTE pásmo 7: 2500–2570 MHz	23 ± 1 dBm
LTE pásmo 8: 880–915 MHz	23 ± 1 dBm
LTE pásmo 20: 832–862 MHz	23 ± 1 dBm
LTE pásmo 28: 703–748 MHz	23 ± 1 dBm
LTE pásmo 38: 2570–2620 MHz	23 ± 1 dBm
LTE pásmo 40: 2300–2400 MHz	23 ± 1 dBm

LTE pásmo 41: 2555–2655 MHz	23 ± 1 dBm
-----------------------------	------------

Poznámka: Některé modely podporují fungování pouze na konkrétních kanálech Wi-Fi. Podrobnosti naleznete v katalogovém listu.



Směrnice 2012/19/EU (WEEE): Výrobky označené tímto symbolem nelze v Evropské unii likvidovat společně s netříděným domovním odpadem. Při zakoupení nového ekvivalentního výrobku tento výrobek řádně zrecykluje vrácením svému místnímu dodavateli, nebo jej zlikvidujte odevzdáním v určených sběrných místech. Více informací naleznete na webu: [www.recyclethis.info](http://www.recyclethis.info)



Směrnice 2006/66/ES a její úprava 2013/56/EU (směrnice o bateriích): Tento výrobek obsahuje baterii, kterou nelze v Evropské unii likvidovat společně s netříděným domovním odpadem. Konkrétní informace o baterii naleznete v dokumentaci výrobku. Baterie je označena tímto symbolem, který může obsahovat písmena značící kadmium (Cd), olovo (Pb) nebo rtuť (Hg). Za účelem řádné recyklace baterii odevzdejte svému dodavateli nebo na určené sběrné místo. Více informací naleznete na webu: [www.recyclethis.info](http://www.recyclethis.info).

### Bezpečnostní pokyny



#### Výstrahy

#### Zákony a předpisy

Zařízení je nutné používat v souladu s místními zákony a předpisy týkajícími se elektrické bezpečnosti a předpisy pro protipožární ochranu.

#### Elektrická bezpečnost

**UPOZORNĚNÍ:** Pojistku vyměňte pouze za pojistku stejného typu a se stejným jmenovitým proudem, abyste omezili nebezpečí požáru.

Nainstalujte a zapojte toto zařízení k záložnímu zdroji (UPS), abyste se vyhnuli riziku restartu.

#### Baterie

Toto zařízení není vhodné pro použití v místech, na kterých se mohou vyskytovat děti.

**UPOZORNĚNÍ:** Při výměně baterie za nesprávný typ hrozí nebezpečí výbuchu.

Vyměňte-li baterii za nesprávný typ, může dojít k poškození bezpečnostního prvku (například v případě některých typů lithiových baterií).

Nevhazujte do ohně, nekládejte do horké trouby, mechanicky ji nedrťte ani neřezejte. Mohlo by dojít k výbuchu.

Neponechávejte baterii v prostředí s extrémně vysokou teplotou, protože by mohlo dojít k výbuchu nebo úniku hořlavé kapaliny nebo plynu.

Nevhazujte baterii extrémně nízkému tlaku vzduchu, protože by mohlo dojít k výbuchu nebo úniku hořlavé kapaliny nebo plynu.

Použité baterie zlikvidujte podle pokynů.



#### Upozornění

## Požární ochrana

Na zařízení se nesmí pokládat zdroje otevřeného ohně jako například hořící svíčky.

Sériový port zařízení se používá pouze k ladění.

## Horký povrch



**UPOZORNĚNÍ:** Horké díly! Při manipulaci s díly si můžete popálit prsty.

Tato nálepka označuje, že označená položka může být horká a měli byste se jí vždy dotýkat opatrně. Než budete s díly manipulovat, vyčkejte po vypnutí zařízení půl hodiny.

Zařízení s touto nálepkou je určeno k montáži na místě s omezeným přístupem. Přístup mohou mít pouze zaměstnanci provádějící servis nebo uživatelé, kteří byli poučeni o důvodech omezení vztahujících se k místu a o veškerých ochranných opatřeních, která mají být přijata.

## Montáž

Namontujte zařízení podle pokynů v tomto návodu.

Zařízení je třeba v souladu s montážními pokyny bezpečně připevnit ke stropu nebo na zeď, aby nedošlo ke zranění.

Ujistěte se, že je pro montáž zařízení a příslušenství k dispozici dostatek místa.

Ujistěte se, že je zeď dostatečně pevná tak, aby byla schopná nést hmotnost 8krát větší, než je hmotnost zařízení a držáku.

Před připojením, instalací a demontáží zařízení se ujistěte, že bylo napájení odpojeno.

## Přeprava

Při přepravě uchovávejte zařízení v původním nebo jemu podobném balení.

Produkt nevystavujte fyzickým nárazům a zabraňte jeho spadnutí.

## Napájení

Zdroj napájení musí splňovat požadavky na omezený zdroj napájení nebo požadavky PS2 podle normy IEC 60950-1 nebo IEC 62368-1.

Informace o standardním napájení viz štítek zařízení. Ujistěte se, že dodávané napětí odpovídá údajům zařízení.

Používejte napájecí adaptér dodaný kvalifikovanými výrobci. Doporučuje se pro jednotlivá zařízení zajistit nezávislý napájecí adaptér, protože přetížení adaptéru může vést k přehřátí nebo způsobit požár.

## Zabezpečení systému

Mějte na paměti, že jste odpovědní za konfiguraci všech hesel a dalších nastavení zabezpečení zařízení a uchovávejte uživatelské jméno a heslo.

## Údržba

V případě, že výrobek nefunguje správně, obraťte se na prodejce nebo na nejbližší servisní středisko. Nepřebíráme žádnou odpovědnost za problémy způsobené neoprávněnou opravou nebo údržbou.

Některé z komponent zařízení (např. elektrolytický kondenzátor) je nutné pravidelně vyměňovat. Průměrná doba životnosti se liší, doporučujeme proto pravidelné kontroly. Podrobnosti vám poskytnete prodejce.

## Čištění

K čištění vnitřních i vnějších povrchů používejte suchý a měkký hadřík. Nepoužívejte alkalické čističí

prostředky.

## Provozní prostředí

Používá-li se nějaké laserové zařízení, zajistěte, aby nebyl objektiv zařízení vystaven laserovému paprsku. V opačném případě by se mohl vypálit.

Nemířte objektivem do slunce ani do jiného zdroje jasného světla.

Abyste nedošlo k hromadění tepla, je nutná pro správné provozní prostředí dobrá ventilace.

NEVYSTAVUJTE zařízení extrémně horkému, chladnému, prašnému, korozivnímu, slanému/zásaditému nebo vlhkému prostředí.

Provozní teplota pro venkovní zařízení musí být v rozmezí -30 °C až 65 °C a provozní vlhkost musí být nižší než 90 %. Provozní teplota pro vnitřní zařízení musí být v rozmezí -10 °C až 50 °C a provozní vlhkost musí být nižší než 90 %.

NEVYSTAVUJTE zařízení silnému elektromagnetickému záření.

## Osvětlení

Ujistěte se, že v těsné blízkosti objektivu zařízení není žádný odrazný povrch. Osvětlení ze zařízení se může odrazet zpět do objektivu, a způsobovat tak odrazy.

Světelný paprsek ve vzdálenosti 200 mm je klasifikován jako riziková skupina 1 (RG1). Minimální bezpečná vzdálenost činí přibližně 1350 mm od zařízení.

Tento výrobek může vyzařovat nebezpečné optické záření. Z tohoto produktu vyzařuje infračervené záření. NEDÍVEJTE se do zapnutého zdroje světla. Může být pro oči škodlivé.

Pokud nejsou dostupné vhodné stínění nebo ochrana očí, zapínejte světlo pouze v bezpečné vzdálenosti nebo v oblasti, která není přímo vystavena světlu.

Při montáži, instalaci nebo údržbě zařízení světlo nezapínejte a noste ochranu očí.

## Stav nouze

Pokud je zařízení vychází kouř, zápach nebo hluk, zařízení okamžitě vypněte, odpojte napájecí kabel a obraťte se na servisní středisko.

## Synchronizace času

Není-li místní čas synchronizován s časem sítě, nastavte při prvním přístupu čas zařízení ručně. Přejděte prostřednictvím webového prohlížeče nebo klientského softwaru k zařízení a otevřete rozhraní pro nastavení času.

**Dansk**



Produktudsendet er kun til reference og kan variere fra det faktiske produkt.

©2023 Hangzhou Hikvision Digital Technology Co. Ltd. Alle rettigheder forbeholdes.

## Om denne vejledning

Vejledningen indeholder anvisninger om brug og håndtering af produktet. Billeder, diagrammer, illustrationer og alle øvrige oplysninger herefter tjener kun som beskrivelse og forklaring. Oplysningerne i vejledningen er med forbehold for ændring uden varsel på grund af opdateringer af firmware eller andre årsager. Du kan finde den seneste udgave af vejledningen på Hikvisions websted (<https://www.hikvision.com/>).

Brug brugervejledningen under vejledning af og med hjælp fra fagfolk, der er uddannet i understøttelse af produktet.

#### Varemærker

**HIKVISION** og andre af Hikvisions varemærker og logoer tilhører Hikvision i forskellige jurisdiktioner.

Andre nævnte varemærker og logoer tilhører deres respektive ejere.

#### ANSVARSRASKRIVELSE

VEJLEDNINGEN OG DET HERI BESKREVNE PRODUKT, INKL. HARDWARE, SOFTWARE OG FIRMWARE, LEVERES I STØRST MULIGT OMFANG, DER ER TILLADT VED LOV, "SOM DET ER OG FØREFINDES" OG "MED ALLE DEFEKTER OG FEJL". HIKVISION UDSTEDER INGEN GARANTIER, UDTRYKKELIGE ELLER UNDERFORSTÅEDE, INKL. UDEN BEGRÆNSNING, VEDRØRENDE SALGBARHED, TILFREDSSTILLEDE KVALITET ELLER EGNETHED TIL ET BESTEMT FORMÅL. DIN BRUG AF PRODUKTET SKER PÅ DIN EGEN RISIKO. UNDER INGEN OMSTÆNDIGHEDER ER HIKVISION ANSVARLIG OVER FOR DIG FOR SÆRLIGE SKADER, HÆNDELIGE SKADER, FØLGESKADER ELLER INDIREKTE SKADER, INKL. B.L.A., SKADER SOM FØLGE AF DRIFTSSTAB, DRIFTSFORSTYRRELSER ELLER TAB AF DATA, BESKADIGELSE AF SYSTEMER ELLER TAB AF DOKUMENTATION, UANSET OM DET ER BASERET PÅ KONTRAKTBRUD, SKADEVOLDENDE HANDLINGER (HERUNDER UAGTSOMHED), PRODUKTANSVAR ELLER PÅ ANDEN MÅDE I FORBINDELSE MED BRUGEN AF PRODUKTET, SELVOM HIKVISION ER BLEVET UNDERRETET OM MULIGHEDEN FOR SÅDANNE SKADER.

DU ANERKENDER, AT INTERNETTET INDEHOLDER INDBYGGEDE SIKKERHEDSRISICI. HIKVISION PÅTAGER SIG INTET ANSVAR FOR UNORMAL DRIFT, LÆKAGE AF PERSONLIGE OPLYSNINGER ELLER ANDRE SKADER SOM FØLGE AF CYBERANGREB, HACKERANGREB, VIRUSANGREB ELLER ANDRE INTERNETSikkerhedsrisici. HIKVISION VIL DOG YDE EVENTUEL NØDVENDIG OG RETTIDIG TEKNISK BISTAND.

DU ERKLÆRER DIG INDFORSTÅET MED AT BRUGE PRODUKTET I OVERENSSTEMMELSE MED ALLE GÆLDENDE LOVE, OG DU ER ENEANSVARLIG FOR AT SIKRE, AT DIN BRUG OVERHOLDER AL GÆLDENDE LOVGIVNING. DU ER ISÆR ANSVARLIG FOR AT BRUGE PRODUKTET PÅ EN MÅDE, DER IKKE KRÆNKER TREDJEPARTERS RETTIGHEDER, HERUNDER, UDEN BEGRÆNSNINGER, RETTIGHEDER VEDRØRENDE OFFENTLIG OMTALE, INTELLEKTUELLE EJENDOMSRETTIGHEDER ELLER RETTIGHEDER VEDRØRENDE DATABESKYTTELSE OG ANDRE RETTIGHEDER VEDRØRENDE PERSONLIGE OPLYSNINGER. DU MÅ IKKE BRUGE PRODUKTET TIL FORBUDTE SLUTANVENDELSER, HERUNDER UDVIKLING ELLER FREMSTILLING AF MASSEDELÆGGELSESVÅBEN, UDVIKLING ELLER PRODUKTION AF KEMISKE ELLER BIOLOGISKE VÅBEN, AKTIVITETER I DEN KONTEKST, DER ER KNYTTET TIL ATOMBOMBER ELLER USIKKERT REAKTORBRÆNDSEL, ELLER SOM STØTTE TIL OVERTRÆDELSE AF MENNESKERETTIGHEDER.

I TILFÆLDE AF UOVERENSSTEMMELSE MELLEM VEJLEDNINGEN OG GÆLDENDE LOVGIVNING GÆLDER SIDSTNÆVNTE.

#### Lovgivningsmæssige oplysninger

**Disse bestemmelser gælder kun for produkter, der er forsynet med det relevante mærke eller oplysninger.**

#### Erklæring om overensstemmelse med EU

**CE** Produktet og eventuelt medfølgende tilbehør er mærket "CE" og opfylder derfor gældende harmoniserede europæiske standarder anført i EU-direktiv 2014/30/EU (EMCD), EU-direktiv 2014/35/EU (LVD) og EU-direktiv 2011/65/EU (RoHS). Hermed erklærer Hangzhou Hikvision Digital Technology Co., Ltd., at enheden (se mærkaten) er i overensstemmelse med EU-direktiv 2014/53/EU. Den fulde ordlyd af EU-overensstemmelseserklæringen kan findes på følgende internetadresse: <https://www.hikvision.com/europe/support/download/declaration-of-conformity/>.

For enheder uden medfølgende strømadapter skal du bruge en strømadapter fra en kvalificeret producent. Se de nærmere krav til strømforsyning i produktspecifikationerne.

Vedrørende enheder uden et medfølgende batteri skal du bruge batterier fra en kvalificeret producent. Se de nærmere krav til batterier i produktspecifikationerne.

#### Frekvensbånd og strøm (for CE)

De nominelle grænser for frekvensbånd og sendeeffekt (udstrålet og/eller ledt) for dette radioudstyr er som følger:

#### EKSPONERING FOR RADIOFREKVENS

Anvend på følgende enhedsmodel:

DS-2DE\*4G\*

Frekvensbåndene og tilstandene og de nominelle grænser for transmitteret effekt (udstrålet og/eller overført) er følgende for radioenheden:

Wi-Fi 2,4 GHz (2,4-2,4835 GHz)	20 dBm
GSM850: 824-849 MHz	32,5 ±1 dBm
GSM900: 880-915 MHz	32,5 ±1 dBm
DCS1800: 1710-1785 MHz	29,5 ±1 dBm
WCDMA-bånd I: 1920-1980 MHz	23,5 ±1 dBm
WCDMA-bånd V: 824-849 MHz	23,5 ±1 dBm
WCDMA-bånd VIII: 880-915 MHz	23,5 ±1 dBm
LTE-bånd 1: 1920-1980 MHz	23 ±1 dBm
LTE-bånd 3: 1710-1785 MHz	23 ±1 dBm
LTE-bånd 5: 824-849 MHz	23 ±1 dBm
LTE-bånd 7: 2500-2570 MHz	23 ±1 dBm
LTE-bånd 8: 880-915 MHz	23 ±1 dBm
LTE-bånd 20: 832-862 MHz	23 ±1 dBm
LTE-bånd 28: 703-748 MHz	23 ±1 dBm
LTE-bånd 38: 2570-2620 MHz	23 ±1 dBm
LTE-bånd 40: 2300-2400 MHz	23 ±1 dBm
LTE-bånd 41: 2555-2655 MHz	23 ±1 dBm

Bemærk: Nogle modeller kan kun fungere på bestemte wi-fi-kanaler. Find nærmere oplysninger i dataarket.



2012/19/EU (WEEE-direktivet): Produkter, der er mærket med dette symbol, kan ikke bortskaffes som almindeligt

husholdningsaffald i EU. Med henblik på korrekt genbrug skal du aflevere produktet til din lokale leverandør ved køb af tilsvarende nyt udstyr eller aflevere det på et dertil indrettet indleveringssted. Du kan få flere oplysninger her: [www.recyclethis.info](http://www.recyclethis.info)



2006/66/EF som ændret ved 2013/56/EU (batteridirektivet): Dette produkt indeholder et batteri, som ikke kan bortskaffes sammen med almindeligt husholdningsaffald i EU.

Find specifikke oplysninger om batteriet i produktokumentationen. Batteriet er mærket med dette symbol, som kan indeholde bogstaver, der indikerer indhold af kadmium (Cd), bly (Pb) eller kviksølv (Hg). Med henblik på korrekt genbrug skal du aflevere batteriet til din leverandør eller til et dertil indrettet indleveringssted. Du kan få flere oplysninger her: [www.recyclethis.info](http://www.recyclethis.info).

## Sikkerhedsanvisning



### Advarsler

#### Love og bestemmelser

Enheden skal anvendes i overensstemmelse med lokale love, sikkerhedsbestemmelser for elnettilslutning og brandforebyggelse.

#### Elektrisk sikkerhed

**FORSIGTIG:** Udskift kun med en sikring af samme type og effekt for at reducere risikoen for brand.

Udstyret skal installeres sammen med en UPS-enhed for at undgå risikoen for genstart.

#### Batteri

Udstyret er ikke egnet til brug på steder, hvor det er sandsynligt, at børn er til stede.

**FORSIGTIG:** Der er eksplosionsfare, hvis batteriet udskiftes med en ukorrekt type.

Udskiftning af batteriet med et batteri af forkert type kan sætte en sikkerhedsforanstaltning ud af kraft (gælder fx for visse litium-batterityper).

Bortskaf ikke batteriet i åben ild eller en varm ovn. Knus ikke, og skær ikke i batteriet, da dette kan forårsage en eksplosion.

Efterlad IKKE batteriet i omgivelser med ekstremt høje temperaturer, da det kan medføre en eksplosion eller lækage af brandfarlig væske eller luftart.

Udsæt ikke batteriet for omgivelser med ekstremt lavt lufttryk, da det kan medføre en eksplosion eller lækage af brandfarlig væske eller luftart.

Bortskaf brugte batterier i henhold til anvisningerne.



### Forsigtig

#### Forebyggelse af brand

Placér ikke kilder med åben ild, såsom et tændt stearinlys, oven på udstyret.

Den serielle port på udstyret bruges kun til fejlfinding.

## Varm overflade



**FORSIGTIG:** Varme dele! Du kan brænde fingrene ved håndtering af delene.

Mærket angiver, at den mærkede del kan være varm og bør berøres med forsigtighed. Vent en halv time fra du slukker, til du håndterer delene.

Enheden med dette klistermærke er beregnet til installation et sted med begrænset adgang. Adgang kan opnås af servicepersonale eller af brugere, der er instrueret i årsagerne til stedets begrænsninger og i evt. forholdsregler, der skal træffes.

## Installation

Installér udstyret i overensstemmelse med anvisningerne i vejledningen.

For at undgå skader skal dette udstyr fastgøres sikkert til loft/væg i overensstemmelse med installationsvejledningen.

Kontrollér, at der er tilstrækkeligt med plads til monteringen af enheden og tilbehøret.

Kontrollér, at væggen er stærk nok til at bære mindst 8 gange vægten af enheden og beslaget.

Kontrollér, at strømmen er afbrudt, før du trækker ledninger til, installerer eller adskiller enheden.

## Transport

Opbevar enheden i den oprindelige eller en lignende emballage, når den skal transporteres.

Tab ikke produktet, og udsæt det ikke for fysiske stød.

## Strømforsyning

Strømkilden skal overholde kravene i LPS eller PS2 iht. standarden IEC 60950-1 eller IEC 62368-1.

Se standardstrømforsyningen på mærkatens på enheden. Kontrollér, at strømforsyningen matcher din enhed.

Brug en strømadapter, der leveres af godkendte producenter. Det anbefales at bruge en separat strømadapter til hver enhed, da overbelastning af en adapter kan forårsage overophedning eller risiko for brand.

## Systemikkerhed

Du skal være bevidst om, at du har ansvar for at konfigurere alle adgangskoder og andre sikkerhedsindstillinger vedrørende enheden og at opbevare dit brugernavn og din adgangskode et sikkert sted.

## Vedligeholdelse

Hvis produktet ikke virker korrekt, skal du kontakte din forhandler eller dit nærmeste servicecenter. Vi påtager os intet ansvar for problemer, der er forårsaget af uautoriseret reparation eller vedligeholdelse.

Der er få enhedsdele (fx elektrolytkondensator), der skal udskiftes regelmæssigt. Den gennemsnitlige levetid varierer. Derfor er det nødvendigt at udføre regelmæssig kontrol. Kontakt din forhandler for nærmere oplysninger.

## Rengøring

Brug en blød og tør klud til at rengøre de indvendige og udvendige overflader. Brug ikke alkaliske rengøringsmidler.

### Driftsmiljø

Når der er et laserudstyr i brug, skal det kontrolleres, at enhedens objektiv ikke udsættes for laserstrålen, ellers kan det brænde ud.

Objektivet må ikke rettes mod solen eller et stærkt lys.

Driftsmiljøet skal være godt udluftet for at undgå varmeophobning.

Enheden må IKKE udsættes for ekstremt varme, kolde, støvede, korroderende, salt- og alkaliholdige eller fugtige omgivelser.

Driftstemperaturen for enheder uden dør skal være -30 °C til 65 °C, og driftsfugtigheden skal være under 90 %. Driftstemperaturen for enheder indendørs skal være -10 °C til 50 °C, og driftsfugtigheden skal være under 90 %.

Enheden må IKKE udsættes for kraftig elektromagnetisk stråling.

### Reflektor

Kontrollér, at der ikke findes reflekterende overflader for tæt på enhedens objektiv. Lyset fra enheden kan blive kastet tilbage i objektivet og forårsage refleksion.

Lysstrålen på en afstand på 200 mm er klassificeret som risikogrupper 1 (RG1). Minimumssikkerhedsafstanden er ca. 1.350 mm fra enheden.

Mulig farlig optisk stråling fra dette produkt. Produktet udsender infrarødt lys. UNDLAD at stirre ind i lyskilden. Kan være skadelig for øjnene.

Hvis passende afskærmning eller øjenbeskyttelse ikke er tilgængelig, må du kun tænde lyset på sikker afstand eller i et område, der ikke er direkte udsat for lyset.

Tænd IKKE lyset, eller brug øjenbeskyttelse, når du samler, installerer eller vedligeholder enheden.

### Nødsituation

Hvis enheden afgiver røg, lugt eller støj, skal du straks slukke for strømmen og trække strømkablet ud. Kontakt derefter servicecentret.

### Tidssynkronisering

Indstil enhedstiden manuelt første gang, du tilgår enheden, hvis den lokale tid ikke er synkroniseret med netværkets. Gå ind på enheden via din webbrowser/klientsoftware, og åbn skærmen med tidsindstillingerne.

## Magyar



A termék megjelenése csak tájékoztató jellegű, és eltérhet a tényleges terméktől.

©2023 Hangzhou Hikvision Digital Technology Co., Ltd. Minden jog fenntartva.

### A kézikönyvvel kapcsolatos tudnivalók

A jelen kézikönyv a termék használatával és kezelésével kapcsolatos utasításokat tartalmaz. Az itt szereplő képek, diagramok, ábrák és minden további információ csupán leírásként és magyarázatként szolgál. A kézikönyvben szereplő információk a firmware-frissítések és egyéb okok miatt előzetes értesítés nélkül változhatnak. Az Útmutató legfrissebb változatáért keresse fel a Hikvision weboldalát (<https://www.hikvision.com/>).

Az Útmutatót a termékkel kapcsolatos támogatáshoz megfelelő képtiséssel rendelkező szakemberek támogatásával és útmutatásával együtt használja.

### Védjegyek

A **HIKVISION**, valamint a Hikvision egyéb védjegyei és logói a Hikvision tulajdonát képezik különböző joghatóságok területén.

Az említett egyéb védjegyek és logók a megfelelő tulajdonosok tulajdonát képezik.

### FELELŐSSÉGI KIZÁRÁS

EZT A KÉZIKÖNYVET, VALAMINT A BENNE SZEREPLŐ TERMÉKET ANNAK HARDVER-, SZOFTVER-ÖSSZETEVŐIVEL ÉS FIRMWARE-ÉVEL EGYÜTT „EREDETI FORMÁBAN” BIZTOSÍJTJUK, „BELEÉRTVE AZOK ÖSSZES ESETLEGES HIBÁIÁT”. A HIKVISION NEM VÁLLAL SEM KIFEJEZETT, SEM TÖRVÉNY ÁLTAL VÉLELMEZETT JÓTÁLLÁS, TÖBBEK KÖZÖTT – DE NEM KORLÁTOZVA – A TERMÉK ÉRTÉKESÍTHETŐSÉGÉRE, MEGFELELŐ MINŐSÉGÉRE, VALAMINT ADOTT CÉLRA VALÓ ALKALMASSÁGÁRA. A TERMÉKET KIZÁRÓLAG SAJÁT FELELŐSÉGÉRE HASZNÁLHATJA. A HIKVISION SEMMILYEN ESETBEN SEM VÁLLAL FELELŐSÉGET ÖN FELÉ SEMMILYEN KÜLÖNLEGES, KÖVETKEZMÉNYES, JÁRULÉKOS VAGY KÖZVETETT KÁRÉRT, BELEÉRTVE TÖBBEK KÖZÖTT A TERMÉK HASZNÁLATÁVAL ÖSSZEFÜGGÉSEN AZ ÜZLETI HASZON ELVESZTÉSÉBŐL, AZ ÜZLETMENET MEGSZAKADÁSÁBÓL, VALAMINT AZ ADATOK VAGY DOKUMENTUMOK ELVESZTÉSÉBŐL EREDŐ KÁROKAT, TÖRTÉNYEN EZ SZERZŐDÉSSZÉGS VAGY KÁROKOZÁS (BELEÉRTVE A GONDATLANSÁGOT) EREDMÉNYEKÉNT, MÉG AKKOR SEM, HA A HIKVISION VÁLLALATOT TÁJÉKOZTATTÁK AZ ILYEN KÁROK BEKÖVETKEZÉSÉNEK LEHETŐSÉGÉRŐL.

ÖN TUDOMÁSUL VESZI, HOGY AZ INTERNET TERMÉSZETÉBŐL FAKADÓAN REJT KOCKÁZATOKAT, ÉS A HIKVISION SEMMILYEN FELELŐSÉGET NEM VÁLLAL A RENDELÉSEN MŰKÖDÉSÉRT, A SZEMÉLYES ADATOK KISZIVÁRGÁSÁÉRT VAGY MÁS OLYAN KÁROKÉRT, AMELYEKET KIBERTÁMADÁSOK, HACKTÁMADÁSOK, VIRUSFERTŐZÉSEK VAGY MÁS INTERNETES BIZTONSÁGI VESZÉLYEK OKOZTAK; A HIKVISION AZONBAN KÉRÉSRE IDŐBEN MŰSZAKI TÁMOGATÁST NYÚJT.

ÖN ELFOGADJA, HOGY EZT A TERMÉKET KIZÁRÓLAG A VONATKOZÓ TÖRVÉNYI ELŐÍRÁSOK BETARTÁSÁVAL HASZNÁLJA, ÉS HOGY A VONATKOZÓ TÖRVÉNYEKNEK MEGFELELŐ HASZNÁLAT KIZÁRÓLAG AZ ÖN FELELŐSÉGE. KÜLÖNÖSKÉPPEN AZ ÖN FELELŐSÉGE, HOGY A TERMÉK HASZNÁLATA SORÁN NE SÉRTSE HARMADIK FÉL JOGAIT, BELEÉRTVE, DE NEM KORLÁTOZVA A NYILVÁNOSÁGRA, SZELLEMI TULAJDONRA, ADATOK VÉDELMEÉRE ÉS EGYÉB SZEMÉLYES ADATOKRA VONATKOZÓ JOGOKAT. A TERMÉKET NEM HASZNÁLHATJA TILTOTT CÉLRA, BELEÉRTVE A TÖMEGPUSZTÍTÓ FEGYVEREK FEJLESZTÉSÉT VAGY GYÁRTÁSÁT, A VEGYI VAGY BIOLÓGIAI FEGYVEREK FEJLESZTÉSÉT VAGY GYÁRTÁSÁT, VALAMINT BÁRMILYEN, ROBBANÁSVESZÉLYES VAGY NEM BIZTONSÁGOS NUKLEÁRIS HASADÓANYAG-CIKLUSSAL KAPCSOLATOS TEVÉKENYSÉGET, ILLETVE EMBERI JOGI VISSZÁJÉLEKÉZT TÁMOGATÓ MÓDON TÖRTÉNYŐ FELHASZNÁLÁST.

HA A JELEN KÉZIKÖNYV ÉS A HATÁLYOS TÖRVÉNY KÖZÖTT ELLENTMONDÁS ÁLL FENN, AKKOR AZ UTÓBBI A MÉRVA DÓ.



## Szabályozással kapcsolatos információk

**Ezek a cikkekelyek kizárólag a megfelelő jelzést vagy információt viselő termékekre vonatkoznak.**

### EU megfeleléségi nyilatkozat



Ez a termék és a mellékelt tartozékai (ha vannak) a „CE” jelzést viselik, így megfelelnek a 2014/30/EU elektromágneses összeférhetőségről szóló (EMCD-) irányelvben, a 2014/35/EU kisfeszültségű berendezésekről szóló (LVD-) irányelvben és a 2011/65/EU (RoHS-) irányelvben felsorolt alkalmazandó harmonizált európai szabványok követelményeinek.

A Hangzhou Hikvision Digital Technology Co., Ltd. ezennel kijelenti, hogy ez a készülék (lásd a címkét) megfelel a 2014/53/EU irányelvnek. Az EU-megfeleléségi nyilatkozat teljes szövege a következő weboldalon áll rendelkezésre: <https://www.hikvision.com/europe/support/download/declaration-of-conformity/>.

Ha az eszközhöz nincs mellékelve tápadapter, használjon minősített gyártó által készített tápadaptert. A tápellátással szembeni részletes követelmények a termék műszaki adataiban vannak feltüntetve.

Ha az eszközhöz nincs mellékelve akkumulátor vagy elem, használjon minősített gyártó által biztosított akkumulátort vagy elemet. Az akkumulátorral szembeni részletes követelmények a termék műszaki adataiban vannak feltüntetve.

### Frekvenciasávok és teljesítmény (CE-jelöléshez)

Az alábbi rádióberendezésre érvényes frekvenciasávok és a leadott teljesítmény (sugárzott és/vagy vezetett) névleges határértékei a következők:

#### RÁDIÓFREKVENCIÁS (RF) KITETTSÉG

A következő eszközmodellekre vonatkozik:

DS-2DE\*4G\*

Az ezen rádióberendezésre érvényes frekvenciasávok és módok, valamint az átvitt teljesítmény (sugárzott és/vagy vezetett) névleges határértékei a következők:

Wi-Fi 2,4 GHz (2,4 GHz – 2,4835 GHz)	20 dBm
GSM850: 824 – 849 MHz	32,5 ± 1 dBm
GSM900: 880 – 915 MHz	32,5 ± 1 dBm
DCS1800: 1710 – 1785 MHz	29,5 ± 1 dBm
WCDMA I-es sáv: 1920 – 1980 MHz	23,5 ± 1 dBm
WCDMA V-es sáv: 824 – 849 MHz	23,5 ± 1 dBm
WCDMA VIII-es sáv: 880 – 915 MHz	23,5 ± 1 dBm
LTE 1-es sáv: 1920 – 1980 MHz	23 ± 1 dBm
LTE 3-es sáv: 1710 – 1785 MHz	23 ± 1 dBm
LTE 5-es sáv: 824 – 849 MHz	23 ± 1 dBm
LTE 7-es sáv: 2500 – 2570 MHz	23 ± 1 dBm
LTE 8-es sáv: 880 – 915 MHz	23 ± 1 dBm
LTE 20-es sáv: 832 – 862 MHz	23 ± 1 dBm

LTE 28-es sáv: 703 – 748 MHz	23 ± 1 dBm
LTE 38-es sáv: 2570 – 2620 MHz	23 ± 1 dBm
LTE 40-es sáv: 2300 – 2400 MHz	23 ± 1 dBm
LTE 41-es sáv: 2555 – 2655 MHz	23 ± 1 dBm

Megjegyzés: Egyes modellek csak bizonyos Wi-Fi csatornákon működnek. A részleteket lásd az adatlapon.



2012/19/EU (WEEE-irányelv): Az ezzel a jelzéssel ellátott termékeket nem lehet szelektálatlan kommunális hulladékként kizselejtezni az Európai Unióban. A megfelelő újrahasznosítás érdekében vigye vissza ezt a terméket helyi forgalmazóhoz, amikor új, egyenértékű berendezést vásárol, vagy adja le a kijelölt gyűjtőhelyeken. További információk: [www.recyclethis.info](http://www.recyclethis.info)



A 2006/66/EK irányelv, valamint 2013/56/EU számú módosítása (akkumulátorokra vonatkozó irányelv): Ez a termék olyan elemet tartalmaz, amelyet nem lehet szelektálatlan kommunális hulladékként elhelyezni az Európai Unióban. A termékdokumentációban további információkat talál az elemről. Az elem ezzel a jelzéssel van ellátva. A jelzést megtalálhatók lehetnek a kadmiumot (Cd), ólmot (Pb) vagy higanyt (Hg) jelző betűjelek. A megfelelő újrahasznosítás érdekében vigye vissza ezt a terméket a beszállítójához, vagy juttassa el a kijelölt gyűjtőhelyre. További információk: [www.recyclethis.info](http://www.recyclethis.info).

### Biztonsági utasítások



#### Figyelmeztetések

#### Törvények és szabályok

Az eszközt a helyi törvények, elektromos biztonsági és tűzvédelmi előírások betartásával kell használni.

#### Elektromos biztonság

VIGYÁZAT: A tűzveszély csökkentése érdekében csak azonos típusú és névleges értékű cserebiztosítót használjon.

A készüléket szünetmentes tápegységgel kell telepíteni az újraindítás kockázatának elkerülése érdekében.

#### Akkumulátor

Ez a készülék nem használható olyan helyen, ahol gyermekek lehetnek jelen.

VIGYÁZAT: Az akkumulátor nem megfelelő típusúra cserélése robbanásveszélyt idézhet elő.

Az akkumulátor nem megfelelő típusúval történő helyettesítése hatástalanná tehet egy biztonsági berendezést (például bizonyos típusú lítiumion-akkumulátorok esetében).

Tilos az akkumulátort tűzbe vagy forró sütőbe tenni, illetve az akkumulátort összezúzni vagy felválni, mert ez robbanást okozhat.

Tilos az akkumulátort rendkívül magas környezeti

hőmérsékletnek kitenni. Robbanást, illetve gyúlékony folyadék vagy gáz szivárgását idézheti elő.

Tilos az akkumulátort rendkívül alacsony légnyomásnak kitenni. Robbanást, illetve gyúlékony folyadék vagy gáz szivárgását okozhatja.

A használt akkumulátorok hulladékkezelésekor kövesse az utasításokat.



## Vigyázat

### Tűzvédelmi előírások

Tilos a készüléken nyílt lángforrást, pl. gyertyát elhelyezni.

A készülék soros portja kizárólag hibakeresésre szolgál.

### Forró felületek

**WARNING  
HOT SURFACE  
DO NOT TOUCH**

**VIGYÁZAT:** Forró részek! Az alkatrészek megérintése esetén az ujjak égési sérülésének veszélye áll fenn.

Ez a címke azt jelöli, hogy a jelölt elem forró lehet, és csak a megfelelő elővigyázatossággal szabad megérinteni. Az eszköz kikapcsolását követően várjon fél órát, mielőtt ezekhez a részekhez érne.

A matricával megjelölt eszközöket korlátozottan hozzáférhető helyeken történő használatra tervezték. Hozzáférés csak a szervizszemélyzet vagy olyan felhasználók számára engedélyezett, akiket tájékoztattak a beépítési hely korlátozott hozzáférhetőségének okáról, valamint a szükséges óvintézkedésekről.

### Telepítés

A készülék telepítését az ebben az útmutatóban leírtak szerint végezze.

A balesetveszély elkerülése érdekében a készüléket az üzembe helyezési utasításoknak megfelelően szilárdan a mennyezethez/falhoz kell erősíteni.

Győződjön meg róla, hogy az eszköz és tartozékai telepítéséhez elegendő szabad hely áll rendelkezésre.

Ellenőrizze, hogy a fal képes-e megtartani az eszköz és a tartóelem súlyának legalább nyolcszorosát.

A készülék bekötése, telepítése vagy szétszerelése előtt győződjön meg a készülék feszültségmentességéről.

### Szállítás

Szállítás alkalmával tartsa a terméket az eredeti vagy ahhoz hasonló csomagolásban.

Ne ejtse le és ne tegye ki ütődésnek a készüléket.

### Tápellátás

Az áramforrásnak teljesítenie kell a korlátozott áramforrásokra vonatkozó előírásokat vagy az IEC 60950-1 vagy IEC 62368-1 szabvány PS2 előírásait.

Az előírt tápfeszültséget a készüléken címkéjé találja. Győződjön meg róla, hogy a tápegység megfelelő az eszköz számára.

Minősített gyártók hálózati adapterét használja. Minden készülékhez független hálózati adapter használata javasolt, mert az adapter túlterhelése túlmelegedéshez vezethet, és tűzveszélyt idézhet elő.

### Rendszerezés

Ne feledje, hogy az Ön felelőssége az eszközözöz kapcsolódó összes jelszó és egyéb biztonsági beállítás megadása, valamint felhasználónevének és jelszavának biztonságos megőrzése.

### Karbantartás

Ha a termék NEM működik megfelelően, forduljon a kereskedőhöz vagy a legközelebbi szervizközponthoz. (Nem vállalunk felelősséget az illetéktelen javításból vagy karbantartásból eredő károkért.)

A készülék néhány alkatrésze (pl. elektrolit kondenzátor) rendszeres cserét igényel. Ezek átlagos élettartama változó, ezért rendszeres ellenőrzés ajánlott. Részletekért forduljon a forgalmazóhoz.

### Tisztítás

A belső és külső felületek tisztításához használjon puha és száraz ruhát. Ne használjon lúgos tisztítószereket.

### Használati környezet

Ha bármilyen lézerekészüléket használ, biztosítsa, hogy a készülék lencséjét ne érje a lézersugár, különben az kiegíhet.

Ne irányítsa az objektívát a Nap vagy más erős fényforrás irányába.

A hő felhalmozódásának elkerülése érdekében a megfelelő üzemi környezethez elégséges szellőztetés kell biztosítani.

NE tegye ki a készüléket szélsőségesen forró, hideg, poros, korrozív, sós, lúgos vagy nedves környezet hatásának.

Kültéri eszközök esetén az üzemi hőmérsékletnek  $-30^{\circ}\text{C}$  és  $65^{\circ}\text{C}$  közt kell lennie, az üzemi páratartalom pedig nem haladhatja meg a 90%-ot. Beltéri eszközök esetén az üzemi hőmérsékletnek  $-10^{\circ}\text{C}$  és  $50^{\circ}\text{C}$  közt kell lennie, az üzemi páratartalom pedig nem haladhatja meg a 90%-ot.

NE TEGYE ki a készüléket erős elektromágneses sugárzásnak.

### Reflektor

Győződjön meg arról, hogy nincs tükröződő felület az eszköz optikájának közelében. Az eszköz által sugárzott fény visszatükröződhet az optikába, és reflexiót okozhat.

A fényugár 200 mm távolságban az 1-es kockázati csoportba tartozik (RG1). A minimális biztonsági távolság a készüléktől számított 1350 mm.

A termék potenciálisan veszélyes fénysugarat bocsát ki. A termék infravörös sugárzást bocsát ki. NE nézzen a működő fényforrásba. Ez szemkárosodást okozhat.

Ha nem áll rendelkezésre megfelelő árnyékolás vagy szemvédelem, csak biztonságos távolságban kapcsolja be a lámpát, vagy olyan helyen, amely nincs közvetlenül kitéve a fénynek.

A készülék összeszerelése, beszerelése vagy karbantartása során NE kapcsolja be a lámpát, vagy viseljen védőszemüveget.

### Vészhelyzet

Ha a készülék füstöt, furcsa szagot vagy zajt bocsát ki, azonnal kapcsolja ki, húzza ki a tápkábel, majd forduljon a szervizközpontoz.

### Időszinkronizálás

Ha a helyi idő hálózati idővel való szinkronizálása nem történik meg, akkor az eszköz idejét kézzel kell beállítani. Webböngészőn/kliensszoftveren keresztül nyissa meg az eszközt, majd lépjen az időbeállítás felületre.





Rysunki przedstawiające wygląd produktu służą wyłącznie do celów referencyjnych i mogą różnić się od rzeczywistego wyglądu urządzenia.

©2023 Hangzhou Hikvision Digital Technology Co., Ltd. Wszelkie prawa zastrzeżone.

### Opis podręcznika

Podręcznik zawiera instrukcje dotyczące korzystania z produktu i obchodzenia się z nim. Zdjęcia, rysunki, wykresy i pozostałe informacje zamieszczone w tym dokumencie wyłącznie dla celów informacyjnych i opisowych. Informacje zamieszczone w podręczniku mogą ulec zmianie bez powiadomienia w związku z aktualizacjami oprogramowania układowego lub w innych okolicznościach. Najnowsza wersja tego podręcznika jest dostępna w witrynie internetowej firmy Hikvision (<https://www.hikvision.com/>).

Oprócz tego podręcznika należy korzystać z porad specjalistów z działu pomocy technicznej związanej z produktem.

### Znaki towarowe

**HIKVISION** oraz inne znaki towarowe i logo Hikvision są własnością firmy Hikvision w różnych jurysdykcjach.

Inne znaki towarowe i logo użyte w podręczniku należą do odpowiednich właścicieli.

### ZASTRZEŻENIA PRAWNE

W PEŁNYM ZAKRESIE DZWOŁONYM PRZEZ OBOWIĄZUJĄCE PRAWO TEN PODRĘCZNIK, OPISANY PRODUKT I ZWIĄZANE Z NIM WYPOSAŻENIE ORAZ OPROGRAMOWANIE APLIKACYJNE I UKŁADOWE SĄ UDOSTĘPNIANE NA ZASADACH „AS IS” BEZ GWARANCJI BRAKU USTEREK I BŁĘDÓW („WITH ALL FAULTS AND ERRORS”). FIRMA HIKVISION NIE UDZIELA ŻADNYCH WYRAŹNYCH ANI DOROZUMIANYCH GWARANCJI, TAKICH JAK GWARANCJE DOTYCZĄCE PRZYDATNOŚCI HANDLOWEJ, JAKOŚCI LUB PRZYDATNOŚCI DO OKREŚLONEGO CELU. UŻYTKOWNIK KORZYSTA Z PRODUKTU NA WŁASNE RYZYKO.

NIEZALEŻNIE OD OKOLICZNOŚCI FIRMA HIKVISION NIE PONOSI ODPOWIEDZIALNOŚCI ZA STRATY SPECJALNE, NASTĘPCZE, UBOCZNE LUB POŚREDNIE, TAKIE JAK STRATA OCZEKIWANYCH ZYSKÓW Z DZIAŁALNOŚCI BIZNESOWEJ, PRZERWY W DZIAŁALNOŚCI BIZNESOWEJ, USZKODZENIE SYSTEMÓW ALBO STRATA DANYCH LUB DOKUMENTACJI, WYNIKAJĄCE Z NARUSZENIA UMOWY, PRZEWINIENIA (ŁĄCZNIE Z ZANIEDBANIEM), ODPOWIEDZIALNOŚCI ZA PRODUKT LUB INNYCH OKOLICZNOŚCI, ZWIĄZANE Z UŻYCIEM TEGO PRODUKTU, NAWET JEŻELI FIRMA HIKVISION ZOSTAŁA POINFORMOWANA O MOŻLIWOŚCI WYSTĄPIENIA TAKICH SZKÓD LUB STRAT.

UŻYTKOWNIK PRZYJMUJE DO WIADOMOŚCI, ŻE KORZYSTANIE Z INTERNETU JEST ZWIĄZANE Z ZAGROZENIAMI DLA BEZPIECZEŃSTWA, A FIRMA HIKVISION NIE PONOSI ODPOWIEDZIALNOŚCI ZA NIEPRAWIDŁOWE FUNKCJONOWANIE, NIEAUTORYZOWANE UJAWNIEŃ POUFNYCH INFORMACJI LUB INNE SZKODY WYNIKAJĄCE Z ATAKU CYBERNETYCZNEGO, ATAKU HAKERA, DZIAŁANIA

WIRUSÓW LUB INNYCH ZAGROŻEŃ DLA BEZPIECZEŃSTWA W INTERNECIE. FIRMA HIKVISION ZAPEWNI JEDNAK POMOC TECHNICZNA W ODPOWIEDNIM CZASIE, JEŻELI BĘDZIE TO WYMAGANE.

UŻYTKOWNIK ZOBOWIĄZUJE SIĘ DO KORZYSTANIA Z PRODUKTU ZGODNIE Z PRZEPISAMI I PRZYJMUJE DO WIADOMOŚCI, ŻE JEST ZOBOWIĄZANY DO ZAPEWNIENIA ZGODNOŚCI UŻYCIA PRODUKTU Z PRZEPISAMI. W SZCZEGÓLNOŚCI UŻYTKOWNIK JEST ZOBOWIĄZANY DO KORZYSTANIA Z PRODUKTU W SPOSÓB, KTÓRY NIE NARUSZA PRAW STRON TRZECICH, DOTYCZĄCYCH NA PRZYKŁAD WIZERUNKU KOMERCYJNEGO, WŁASNOŚCI INTELEKTUALNEJ LUB OCHRONY DANYCH I PRYWATNOŚCI. UŻYTKOWNIK NIE BĘDZIE UŻYWAĆ PRODUKTU DO CELÓW ZABRONIONYCH, TAKICH JAK OPRACOWANIE LUB PRODUKCJA BRONI MASOWEGO RAŻENIA ALBO BRONI CHEMICZNEJ LUB BIOLOGICZNEJ ORAZ DZIAŁANIA ZWIĄZANE Z WYBUCHOWYMI MATERIAŁAMI NUKLEARNYMI, NIEBEZPIECZNYM NUKLEARNYM CYKLEM PALIWOWYM LUB ŁAMANIEM PRAW CZŁOWIEKA.

W PRZYPADKU NIEZGODNOŚCI NINIJSZEGO PODRĘCZNIKA Z OBOWIĄZUJĄCYM PRAWEM WYŻSZY PRIORYTET BĘDZIE MIAŁO OBOWIĄZUJĄCE PRAWO.

### Informacje dotyczące przepisów

**Te klauzule dotyczą tylko produktów z odpowiednimi oznaczeniami lub etykietami.**

### Deklaracja zgodności z dyrektywami UE

**CE** Produkt i ewentualnie dostarczone razem z nim akcesoria oznaczono symbolem „CE” potwierdzającym zgodność z odpowiednimi ujednoliconymi normami europejskimi, uwzględnionymi w dyrektywie 2014/30/EU (EMCD), dyrektywie 2014/35/EU (LVD) i dyrektywie 2011/65/EU (RoHS).

Firma Hangzhou Hikvision Digital Technology Co., Ltd. niniejszym deklaruje, że to urządzenie o nazwie podanej na etykiecie jest zgodne z dyrektywą 2014/53/EU. Pełny tekst deklaracji zgodności UE jest dostępny w witrynie internetowej <https://www.hikvision.com/europe/support/download/declaration-of-conformity/>.

W przypadku urządzeń dostarczanych bez zasilacza należy użyć markowego zasilacza. Aby uzyskać więcej informacji dotyczących wymaganego zasilania, należy skorzystać ze specyfikacji produktu.

W przypadku urządzeń dostarczanych bez baterii należy użyć markowej baterii. Aby uzyskać więcej informacji dotyczących wymaganej baterii, należy skorzystać ze specyfikacji produktu.

### Pasma częstotliwości i moc (CE)

Pasma częstotliwości i dopuszczalne wartości graniczne znamionowej mocy promieniowanej (transmisja i/lub przewodzenie) tego urządzenia radiowego są następujące:

### NARAŻENIE NA PROMIENIOWANIE RADIOWE

Dotyczy następujących modeli urządzenia: DS-2DE\*4G\*

Pasma i tryby częstotliwości oraz dopuszczalne wartości graniczne znamionowej mocy promieniowanej (transmisja i/lub przewodzenie) tego urządzenia radiowego są następujące:

Wi-Fi 2,4 GHz (2,400 – 2,4835 GHz)	20 dBm
GSM850: 824 – 849 MHz	32,5 ±1 dBm
GSM900: 880 – 915 MHz	32,5 ±1 dBm
DCS1800: 1710 – 1785 MHz	29,5 ±1 dBm
Pasmo I WCDMA: 1920 – 1980 MHz	23,5 ±1 dBm
Pasmo V WCDMA: 824 – 849 MHz	23,5 ±1 dBm
Pasmo VIII WCDMA: 880 – 915 MHz	23,5 ±1 dBm
Pasmo 1 LTE: 1920 – 1980 MHz	23 ±1 dBm
Pasmo 3 LTE: 1710 – 1785 MHz	23 ±1 dBm
Pasmo 5 LTE: 824 – 849 MHz	23 ±1 dBm
Pasmo 7 LTE: 2500 – 2570 MHz	23 ±1 dBm
Pasmo 8 LTE: 880 – 915 MHz	23 ±1 dBm
Pasmo 20 LTE: 832 – 862 MHz	23 ±1 dBm
Pasmo 28 LTE: 703 – 748 MHz	23 ±1 dBm
Pasmo 38 LTE: 2570 – 2620 MHz	23 ±1 dBm
Pasmo 40 LTE: 2300 – 2400 MHz	23 ±1 dBm
Pasmo 41 LTE: 2555 – 2655 MHz	23 ±1 dBm

Uwaga: Niektóre modele obsługują tylko określone kanały Wi-Fi. Aby uzyskać więcej informacji, skorzystaj z karty katalogowej.



Dyrektywa 2012/19/EU w sprawie zużytego sprzętu elektrycznego i elektronicznego (WEEE): Produktów oznaczonych

tym symbolem nie wolno utylizować na obszarze Unii Europejskiej jako niesegregowane odpady komunalne. Aby zapewnić prawidłowy recykling tego produktu, należy zwrócić go do lokalnego dostawcy przy zakupie równoważnego nowego urządzenia lub utylizować go w wyznaczonym punkcie selektywnej zbiórki odpadów. Aby uzyskać więcej informacji, zobacz: [www.recyclethis.info](http://www.recyclethis.info)



Dyrektywa 2006/66/EC w sprawie baterii i akumulatorów i zmieniająca ją dyrektywa 2013/56/EU: Ten produkt zawiera baterię, której nie wolno utylizować na obszarze Unii

Europejskiej jako niesegregowane odpady komunalne. Aby uzyskać informacje dotyczące baterii, skorzystaj z dokumentacji produktu. Bateria jest oznaczona tym symbolem, który może także zawierać litery wskazujące na zawartość kadmu (Cd), ołowiu (Pb) lub rtęci (Hg). Aby zapewnić prawidłowy recykling baterii, należy zwrócić ją do dostawcy lub przekazać do wyznaczonego punktu zbiórki. Aby uzyskać więcej informacji, zobacz:

[www.recyclethis.info](http://www.recyclethis.info).

## Zalecenia dotyczące bezpieczeństwa



### Ostrzeżenia

#### Przepisy i rozporządzenia

Urządzenie powinno być użytkowane zgodnie z lokalnymi przepisami, rozporządzeniami dotyczącymi korzystania z wyposażenia elektrycznego i przepisami przeciwpożarowymi.

#### Bezpieczne korzystanie z urządzeń elektrycznych

**PRZESTROGA:** Aby ograniczyć zagrożenie pożarowe, należy używać bezpieczników tego samego typu i o takich samych parametrach znamionowych.

To wyposażenie należy zainstalować z zasilaczem awaryjnym UPS, aby zapobiec zagrożeniu związanemu z przypadkowym ponownym uruchomieniem.

#### Bateria

Urządzenie nie powinno być używane w lokalizacjach, w których mogą przebywać dzieci.

**PRZESTROGA:** Zainstalowanie nieodpowiedniej baterii może spowodować wybuch.

Zainstalowanie nieodpowiedniej baterii może spowodować zagrożenie (dotyczy to na przykład niektórych baterii litowych).

Wrzucenie baterii do ognia lub rozgrzanego pieca albo zgucenie lub przecięcie baterii może spowodować wybuch.

Wysoka temperatura w otoczeniu może spowodować wybuch baterii albo wyciek palnej cieczy lub gazu.

Ekstremalnie niskie ciśnienie powietrza w otoczeniu może spowodować wybuch baterii albo wyciek palnej cieczy lub gazu.

Zużyte baterie należy utylizować zgodnie z instrukcjami.



### Przeostrog

#### Ochrona przeciwpożarowa

Nie wolno umieszczać na urządzeniu źródeł nieosłoniętego płomienia, takich jak zapalone świece.

Złącze szeregowe urządzenia jest używane wyłącznie do debugowania.

#### Gorące elementy



**PRZESTROGA:** Gorące podzespoły! Dotknięcie gorących podzespołów może spowodować oparzenie palców.

Podzespoły oznaczone tą etykietą mogą być gorące, dlatego należy obchodzić się z nimi ostrożnie. Po wyłączeniu zasilania należy odczekać pół godziny przed dotknięciem podzespołów urządzenia.

Urządzenie z tą naklejką jest przeznaczone do instalacji w warunkach ograniczonego dostępu. Dostęp może uzyskać tylko personel serwisowy lub użytkownicy poinformowani o celach ograniczenia dostępu do danej lokalizacji i stosowanych środkach ostrożności.

#### Instalacja

Urządzenie należy zainstalować zgodnie z instrukcjami podanymi w tym podręczniku.

Aby zapobiec zranieniu, należy przymocować urządzenie do sufitu/ściany zgodnie z instrukcjami instalacyjnymi.

Upewnij się, że dostępne jest miejsce wymagane do instalacji urządzenia i akcesoriów.

Należy upewnić się, że ściana jest przystosowana do obciążenia co najmniej ośmiokrotnie większego niż ciężar urządzenia z uchwytem.

Przed podłączeniem, instalacją lub demontażem urządzenia należy odłączyć zasilanie urządzenia.

### Transport

Podczas transportu urządzenie powinno być umieszczone w oryginalnym lub podobnym opakowaniu.

Należy chronić urządzenie przed upadkiem lub uderami mechanicznymi.

### Zasilanie

Źródło zasilania powinno spełniać wymagania dotyczące źródeł zasilania z własnym ograniczeniem (LPS) lub wymagania PS2 zgodnie z normą IEC60950-1 lub IEC62368-1.

Informacje dotyczące standardowego zasilania podano na tabliczce znamionowej urządzenia. Należy upewnić się, że zasilanie jest zgodne ze specyfikacjami urządzenia.

Należy korzystać z zasilaczy dostarczonych przez wykwalifikowanych producentów. Zalecane jest użycie oddzielnego zasilacza dla każdego urządzenia, ponieważ przeciążenie zasilacza może spowodować przegrzanie lub pożar.

### Zabezpieczenia systemu

Użytkownik jest zobowiązany do skonfigurowania wszystkich haseł i ustawień zabezpieczeń urządzenia oraz ochrony własnej nazwy użytkownika i hasła.

### Konserwacja

Jeżeli produkt nie działa prawidłowo, skontaktuj się z dystrybutorem lub najbliższym centrum serwisowym. Producent nie ponosi odpowiedzialności za problemy spowodowane przez nieautoryzowane prace naprawcze lub konserwacyjne.

Konieczna jest regularna wymiana kilku podzespołów urządzenia (np. kondensatora elektrolitycznego).

Przeciętny okres użytkowania może być różny, dlatego zalecane jest regularne sprawdzanie stanu technicznego podzespołów. Aby uzyskać więcej informacji, należy skontaktować się z dystrybutorem.

### Czyszczenie

Należy czyścić elementy wewnętrzne i zewnętrzne miękką, suchą ściereczką. Nie wolno używać alkalicznych środków czyszczących.

### Warunki otoczenia

Jeżeli używane jest wyposażenie laserowe, należy upewnić się, że obiektyw urządzenia nie jest oświetlany przez wiązkę lasera, ponieważ może to spowodować jego spalenie.

Nie wolno kierować obiektywem w stronę słońca lub innego źródła intensywnego światła.

Aby zapobiec akumulacji ciepła, należy zapewnić odpowiednią wentylację urządzenia.

NIE wolno narażać urządzenia na ekstremalnie wysokie lub niskie temperatury, kurz, substancje korozyjne, roztwory soli, zasady lub wilgoć.

Podczas użytkowania urządzeń zainstalowanych poza

budynkami temperatura otoczenia powinna wynosić od  $-30^{\circ}\text{C}$  do  $+65^{\circ}\text{C}$ , a wilgotność powietrza powinna być niższa niż 90%. Podczas użytkowania urządzeń zainstalowanych w budynkach temperatura otoczenia powinna wynosić od  $-10^{\circ}\text{C}$  do  $+50^{\circ}\text{C}$ , a wilgotność powietrza powinna być niższa niż 90%.

Należy chronić urządzenie przed silnym promieniowaniem elektromagnetycznym.

### Oświetlenie

Należy upewnić się, że żadne elementy odbłaskowe nie znajdują się zbyt blisko obiektywu urządzenia. Światło z urządzenia może być odbijane wstecz do obiektywu.

Zgodnie z klasyfikacją wiązka światła na dystansie 200 mm należy do grupy ryzyka Risk Group 1 (RG1). Minimalna odległość od urządzenia zapewniająca bezpieczeństwo wynosi około 1350 mm.

Produkt emituje światło widzialne, które może być szkodliwe. Ten produkt emituje promieniowanie podczerwone. NIE wolno spoglądać bezpośrednio w wiązkę światła. Może to spowodować uszkodzenie wzroku.

Jeżeli odpowiednia osłona lub zabezpieczenie oczu nie jest dostępne, należy włączyć oświetlenie tylko w bezpiecznej odległości albo w lokalizacji, która nie jest bezpośrednio narażona na intensywne światło.

Podczas montażu, instalacji lub konserwacji urządzenia NIE wolno włączać oświetlenia bez uprzedniego założenia wyposażenia do ochrony oczu.

### Poważne awarie

Jeżeli urządzenie wydziela dym lub intensywne zapachy albo emituje hałas, należy niezwłocznie wyłączyć zasilanie i odłączyć przewód zasilający, a następnie skontaktować się z centrum serwisowym.

### Synchronizacja czasu

Podczas pierwszego dostępu można ręcznie ustawić czas urządzenia, jeżeli nie jest on zsynchronizowany z czasem sieci. Okno ustawień czasu urządzenia można wyświetlić przy użyciu przeglądarki internetowej lub oprogramowania klienckiego.

## Română



Aspectul produsului este doar de referință și poate varia de produsul real.

©2023 Hangzhou Hikvision Digital Technology Co., Ltd. Toate drepturile rezervate.

### Despre acest Manual

Manualul include instrucțiuni pentru utilizarea și gestionarea Produsului. Fotografii, diagramele, imaginile și toate celelalte informații de mai jos sunt doar pentru descriere și explicații. Informațiile conținute în Manualul pot fi modificate, fără notificare prealabilă, din cauza actualizărilor firmware-ului sau din alte motive. Vă rugăm să găsiți cea mai recentă versiune a acestui manual pe site-ul web Hikvision (<https://www.hikvision.com/>).

Vă rugăm să folosiți acest Manual sub îndrumarea și cu asistența unor profesioniști instruiți în domeniul asistenței pentru produs.

## Mărci comerciale

**HIKVISION** și alte mărci comerciale și logo-uri Hikvision sunt proprietatea Hikvision în diferite jurisdicții.

Alte mărci comerciale și logo-uri menționate sunt proprietățile proprietarilor respectivi.

### DECLINARE A RESPONSABILITĂȚII

ÎN MĂSURA MAXIMĂ PERMISĂ DE LEGISLAȚIA APLICABILĂ, ACEST MANUAL ȘI PRODUSUL DESCRIS, ÎMPREUNĂ CU HARDWARE-UL, SOFTWARE-UL ȘI FIRMWARE-UL SĂU, SUNT FURNIZATE „CA ATARE” ȘI „CU TOATE DEFECTELE ȘI ERORILE”. HIKVISION NU OFERĂ NICIO GARANȚIE, EXPRESĂ SAU IMPLICITĂ, INCLUSIV, DAR FĂRĂ A SE LIMITA LA, COMERCIALIZAREA, CALITATEA SATISFĂCĂTOARE SAU ADECVAREA LA UN ANUMIT SCOP. UTILIZAREA PRODUSULUI DE CĂTRE DVS. ESTE PE PROPRIUL RISC. ÎN NIČI UN CAZ HIKVISION NU VA FI RESPONSABIL FAȚĂ DE DVS. PENTRU ORICE DAUNE SPECIALE, CONSECVENTE, ACCIDENTALE SAU INDIRECTE, INCLUSIV, PRINTRĂ ALTELE, DAUNE PENTRU PIERDEREA PROFITURILOR DIN AFACERI, ÎNTRERUPEREA ACTIVITĂȚII SAU PIERDEREA DATELOR, CORUPȚIA SISTEMELOR SAU PIERDEREA DOCUMENTAȚIEI, FIE CĂ SE BAZEAZĂ PE ÎNCĂLCAREA CONTRACTULUI, DELICT (INCLUSIV NEGLIENȚĂ), RĂSPUNDEREA PRODUSULUI SAU ÎN ALT MOD, ÎN LEGĂTURĂ CU UTILIZAREA PRODUSULUI, CHIAR DACĂ HIKVISION A FOST INFORMAT CU PRIVIRE LA POSIBILITATEA UNOR ASTFEL DE DAUNE SAU PIERDERI.

RECUNOAȘTEȚI CĂ NATURA INTERNETULUI IMPLICĂ RISURILE DE SECURITATE INERENTE, IAR HIKVISION NU ÎȘI ASUMĂ NICIO RESPONSABILITATE PENTRU FUNCȚIONAREA ANORMALĂ, ȘCURGEREA DE INFORMAȚII PRIVATE SAU ALTE DAUNE REZULTATE DIN ATACURI CIBERNETICE, ATACURI ALE HACKERILOR, INFECȚII CU VIRUȘI SAU ALTE RISURILE DE SECURITATE PE INTERNET; CU TOATE ACESTE, HIKVISION VA OFERI ASISTENȚĂ TEHNICĂ ÎN TIMP UTIL, DACĂ ESTE NECESAR.

SUNTEȚI DE ACORD SĂ UTILIZAȚI ACEST PRODUS ÎN CONFORMITATE CU TOATE LEGILE APLICABILE ȘI SUNTEȚI SINGURUL RESPONSABIL PENTRU A VĂ ASIGURA CĂ UTILIZAREA DVS. ESTE ÎN CONFORMITATE CU LEGISLAȚIA APLICABILĂ. ÎN SPECIAL, SUNTEȚI RESPONSABIL, PENTRU UTILIZAREA ACESTUI PRODUS ÎNTR-UN MOD CARE NU ÎNCALCĂ DREPTURILE TERȚILOR, INCLUSIV, FĂRĂ LIMITARE, DREPTURILE DE PUBLICITATE, DREPTURILE DE PROPRIETATE INTELCTUALĂ SAU PROTEȚIA DATELOR ȘI ALTE DREPTURI DE CONFIDENȚIALITATE. NU VEȚI UTILIZA ACEST PRODUS PENTRU UTILIZĂRI FINALE INTERZISE, INCLUSIV PENTRU DEZVOLTAREA SAU PRODUCEREA DE ARME DE DISTRUGERE ÎN MASĂ, DEZVOLTAREA SAU PRODUCEREA DE ARME CHIMICE SAU BIOLOGICE, ORICE ACTIVITĂȚI ÎN CONTEXTUL ORICĂRU CICLU NUCLEAR EXPLOZIV SAU NESIGUR AL COMBUSTIBILULUI NUCLEAR SAU ÎN SPRIJINUL OAMENILOR ABUZURI DE DREPTURI.

ÎN CAZUL ORICĂROR NECORCONDANȚE ÎNTRE ACEST MANUAL ȘI LEGISLAȚIA APLICABILĂ SE VA APLICA LEGISLAȚIA APLICABILĂ.

### Informații de reglementare

**Aceste clauze se aplică numai produselor care poartă marca sau informațiile corespunzătoare.**

### Declarație de conformitate UE

**CE** Acest produs și, dacă este cazul, accesoriile furnizate sunt însemnate cu marcajul „CE” și, drept urmare, sunt conforme cu standardele europene armonizate aplicabile, enumerate în Directiva 2014/30/UE (EMCD), Directiva 2014/35/UE (LVD), Directiva 2011/65/UE (RoHS). Prin prezența, Hangzhou Hikvision Digital Technology Co., Ltd. declară că acest dispozitiv (a se consulta eticheta) este conform cu Directiva 2014/53/UE. Textul integral al declarației de conformitate UE este disponibil la următoarea adresă de internet: <https://www.hikvision.com/europe/support/download/declaration-of-conformity/>.

Dacă dispozitivul a fost furnizat fără un adaptor de alimentare, folosiți adaptorul de alimentare furnizat de un producător calificat. Consultați specificațiile produsului pentru cerințele detaliate de alimentare. Dacă dispozitivul a fost furnizat fără o baterie, folosiți bateria furnizată de un producător calificat. Consultați specificațiile produsului pentru cerințele detaliate privind pbateria.

### Benzi de frecvență și putere (pentru CE)

Limitele nominale pentru benzile de frecvență și puterea de transmisie (radiată și/sau condusă) aplicabile următoarelor echipamente radio sunt următoarele:

### EXPUNERE LA RADIOFRECVENȚĂ RF

Se aplică la următorul model de dispozitiv:  
DS-2DE\*4G\*

Benziile și modurile de frecvență și limitele nominale a puterii transmise (radiate și/sau conduse) aplicabile acestui aparat radio sunt următoarele:

Wi-Fi 2,4 GHz (2,4 GHz – 2,4835 GHz)	20 dBm
GSM850: 824 – 849 MHz	32,5±1 dBm
GSM900: 880 – 915 MHz	32,5±1 dBm
DCS1800: 1710 – 1785 MHz	29,5±1 dBm
Banda WCDMA I: 1920 – 1980 MHz	23,5±1 dBm
Banda WCDMA V: 824 – 849 MHz	23,5±1 dBm
Banda WCDMA VIII: 880 – 915 MHz	23,5±1 dBm
Banda LTE 1: 1920 – 1980 MHz	23±1 dBm
Banda LTE 3: 1710 – 1785 MHz	23±1 dBm
Banda LTE 5: 824 – 849 MHz	23±1 dBm
Banda LTE 7: 2500 – 2570 MHz	23±1 dBm
Banda LTE 8: 880 – 915 MHz	23±1 dBm
Banda LTE 20: 832 – 862 MHz	23±1 dBm
Banda LTE 28: 703 – 748 MHz	23±1 dBm
Banda LTE 38: 2570 – 2620 MHz	23±1 dBm
Banda LTE 40: 2300 – 2400 MHz	23±1 dBm
Banda LTE 41: 2555 – 2655 MHz	23±1 dBm

Notă: Anumite modele pot funcționa numai pe anumite canale Wi-Fi. Pentru detalii, consultați fișa

cu date.



2012/19/UE (directiva DEEE): produsele marcate cu acest simbol nu pot fi eliminate ca deșeuri municipale nesortate în Uniunea Europeană. Pentru o reciclare adecvată, returnați acest produs furnizorului local la achiziționarea unui echipament nou echivalent sau predați-l într-unul dintre punctele de colectare desemnate. Pentru mai multe informații vezi: [www.recyclethis.info](http://www.recyclethis.info)



2006/66/CE și amendamentul său  
2013/56/UE (directiva privind bateriile): Acest produs conține o baterie care nu poate fi eliminată ca deșeu municipal nesortat în Uniunea Europeană. Consultați documentația produsului pentru informații specifice despre baterie. Bateria este marcată cu acest simbol, care poate include litere pentru a indica cadmiul (Cd), plumbul (Pb) sau mercurul (Hg). Pentru o reciclare corectă, returnați bateria furnizorului dvs. sau la un punct de colectare desemnat. Pentru mai multe informații vezi: [www.recyclethis.info](http://www.recyclethis.info).

### Instrucțiuni de siguranță



#### Avertismente

#### Legi și reglementări

Dispozitivul trebuie utilizat în conformitate cu legile locale, reglementările privind siguranța electrică și reglementările privind prevenirea incendiilor.

#### Siguranță electrică

**ATENȚIE:** Pentru a reduce riscul de incendiu, înlocuiți numai cu același tip și rating de siguranță.

Acest echipament trebuie instalat împreună cu UPS pentru a evita riscul repornirii.

#### Baterie

Acest echipament nu este adecvat pentru utilizarea în locații în care este posibil să fie prezenți copii.

**ATENȚIE:** Risc de explozie dacă bateria este înlocuită cu una de tip incorect.

Înlocuirea necorespunzătoare a bateriei cu un tip incorect poate anula o protecție (de exemplu, în cazul unor tipuri de baterii cu litiu).

NU aruncați bateria în foc sau într-un cuptor încins și nici nu zdrobiți sau tăiați mecanic bateria, deoarece aceasta poate provoca o explozie.

Nu lăsați bateria într-un mediu înconjurător cu temperaturi extrem de ridicate, ceea ce poate duce la o explozie sau la scurgerea de lichid sau gaz inflamabil.

Nu supuneți bateria la o presiune extrem de scăzută a aerului, care poate duce la o explozie sau la scurgerea de lichid sau gaz inflamabil.

Aruncați bateriile uzate în conformitate cu instrucțiunile.



#### Atenționări

#### Prevenire incendiu

Nu trebuie plasate pe echipament surse de flacără goală, cum ar fi lumânările aprinse.

Portul serial al echipamentului este utilizat doar

pentru depanare.

### Suprafață fierbinte



**ATENȚIE:** Componente fierbinți! Degete arse la manipularea pieselor.

Acest autocolant indică faptul că articolele marcate pot fi fierbinți și nu trebuie atinse fără precauție. Așteptați o jumătate de oră după ce opriți dispozitivul, înainte de a manipula piesele.

Dispozitivul cu acest autocolant este destinat instalării într-o locație cu acces restricționat. Accesul poate fi obținut numai de către persoanele de serviciu sau de către utilizatorii care au fost instruiți cu privire la motivele restricțiilor aplicate locației și despre orice precauții care trebuie luate.

#### Instalare

Instalați echipamentul conform instrucțiunilor din acest manual.

Pentru a preveni rănirea, acest echipament trebuie să fie fixat ferm pe tavan/perete, în conformitate cu instrucțiunile de instalare.

Asigurați-vă că există suficient spațiu de instalare a dispozitivului și a accesoriilor.

Asigurați-vă că peretele este suficient de rezistent pentru a suporta de cel puțin 8 ori greutatea dispozitivului și a suportului de montare.

Asigurați-vă că, înainte de a conecta, a instala sau a dezasambla dispozitivul, acesta a fost, în prealabil, deconectat de la sursa de alimentare electrică.

#### Transport

Păstrați dispozitivul în ambalajul original sau similar în timpul transportului.

Nu scăpați produsul și nu-l supuneți șocurilor fizice.

#### Alimentare electrică

Sursa de alimentare trebuie să îndeplinească cerințele sursei de alimentare limitată sau cerințele PS2 conform standardului IEC 60950-1 sau IEC 62368-1.

Consultați eticheta dispozitivului pentru sursa de alimentare standard. Asigurați-vă că sursa de alimentare se potrivește cu dispozitivul dvs.

Folosiți numai adaptorul de alimentare furnizat de producătorii calificați. Se recomandă furnizarea unui adaptor de alimentare independent, pentru fiecare dispozitiv, deoarece supraîncălzirea adaptorului poate provoca supraîncălzire sau pericol de incendiu.

#### Securitatea sistemului

Vă rugăm să înțelegeți că aveți responsabilitatea de a configura toate parolele și alte setări de securitate ale dispozitivului și de a vă păstra numele de utilizator și parola.

#### Întreținere

În cazul în care produsul nu funcționează corect, vă rugăm să contactați dealerul sau cel mai apropiat centru de service. Nu ne asumăm nicio responsabilitate pentru problemele cauzate de reparații sau întreținere neautorizate.

Câteva componente ale dispozitivului (de exemplu, condensator electrolic) necesită înlocuirea regulată. Durata medie de viață variază, deci se recomandă verificarea periodică. Contactați distribuitorul pentru detalii.

## Curățarea

Vă rugăm să folosiți o cârpă moale și uscată pentru a curăța suprafețele interioare și exterioare. Nu utilizați detergenți alcalini.

## Utilizarea mediului

Când utilizați orice echipament laser, asigurați-vă că lentila dispozitivului nu este expusă la raza laser, altfel se poate arde.

Nu îndreptați obiectivul la soare sau la orice altă lumină strălucitoare.

Pentru a evita acumularea de căldură, este necesară o bună ventilație pentru un mediu de funcționare adecvat.

NU expuneți dispozitivul la medii extrem de calde, reci, prăfuite, corozive, saline-alkaline sau umede.

Pentru dispozitivele de exterior, temperatura de lucru trebuie să fie între -30°C și 65°C (între -22°F și 149°F), iar umiditatea de lucru trebuie să fie mai mică de 90%. Pentru dispozitivele de interior, temperatura de lucru trebuie să fie între -10°C și 50°C (între -14°F și 122°F), iar umiditatea de lucru trebuie să fie mai mică de 90%.

NU expuneți dispozitivul la radiații electromagnetice ridicate.

## Iluminator

Asigurați-vă că în apropierea lentilelor dispozitivului nu există nicio o suprafață reflectorizantă. Lumina provenită de la dispozitiv poate fi reflectată înapoi în lentile, cauzând reflexia.

Fasciculul luminii la o distanță de 200 mm este clasificat ca făcând parte din grupul de risc 1 (GR1). Distanța minimă sigură este de aproximativ 1350 de mm distanță de dispozitiv.

Posibilă radiație optică periculoasă emisă de acest produs. IR emise de acest produs. NU priviți în sursa de lumină de operare. Poate fi dăunătoare pentru ochi.

În cazul în care nu este disponibilă o protecție adecvată sau ochelari de protecție, aprindeți lumina numai la o distanță sigură sau în zona care nu este expusă direct la lumină.

Atunci când asamblați, instalați sau întrețineți dispozitivul, NU aprindeți lumina și nu purtați protecție pentru ochi.

## Urgență

Dacă de la dispozitiv apar fum, miros sau zgomot, opriți imediat alimentarea, deconectați cablul de alimentare și contactați centrul de service.

## Sincronizarea orei

Setați ora dispozitivului manual când o porniți pentru prima dată dacă ora locală nu este sincronizată cu cea a rețelei. Accesați dispozitivul prin intermediul browser-ului web/software-ului de client și mergeți la interfața pentru setările orei.

## Slovenčina



Vzhlád produktu je len orientačný a môže sa líšiť od skutočného produktu.

©2023 Hangzhou Hikvision Digital Technology Co., Ltd. Všetky práva vyhradené.

## Informácie o tomto návode

Táto príručka obsahuje pokyny na používanie

a správu produktu. Obrázky, grafy, nákrasy a všetky ďalšie informácie, ktoré sú v ňom uvedené, slúžia len na opis a vysvetlenie. Informácie uvedené v návode sa môžu zmeniť bez predchádzajúceho upozornenia v dôsledku aktualizácií firmvéru alebo iných prčin. Najnovšiu verziu tohto návodu nájdete na webovej stránke spoločnosti Hikvision (<https://www.hikvision.com/>).

Používajte tento návod v súlade s pokynmi a radami odborníkov, ktorí sú vyškolení na obsluhu produktu.

## Ochranné známky

**HIKVISION** a iné ochranné známky a logá spoločnosti Hikvision sú vlastníctvom spoločnosti Hikvision v rôznych jurisdikciách.

Iné ochranné známky a logá sú vlastníctvom príslušných majiteľov.

## ODMIETNUTIE ZODPOVEDNOSTI

V MAXIMÁLNO M ŽADNOM ROZSAHU, KTORÝ POVOĽUJÚ PRÍSLUŠNÉ PRAVNÉ PREDPISY, SA TÁTO PRÍRUČKA A OPISANÝ PRODUKT SPOLU S JEHO HARDVĚROM, SOFTVĚROM A FIRMVĚROM, DODÁVAJÚ V STAVE „AKO SÚ“ A „SO VŠETKÝMI PORUCHAMI A CHYBAMI“. SPOLOČNOSŤ HIKVISION NEPOSKYTUJE ŽIADNE VÝSLOVNÉ ANI PREDPOKLADANÉ ZÁRUKY, OKREM INÉHO VRÁTANE ZÁRUKY PREDAJNOSTI, USPOKOJIVEJ KVALITY ALEBO VHDNOSTI NA KONKRÉTNY ÚČEL. POUŽÍVANIE PRODUKTU JE NA VAŠE VLASTNÉ RIZIKO. SPOLOČNOSŤ HIKVISION V ŽIADNOM PRÍPADE NESIE ŽODPOVEDNOSŤ ZA ŽIADNE OSOBNÉ, NÁSLEDNÉ, NÁHODNÉ ALEBO NEPRIAME ŠKODY, OKREM INÉHO VRÁTANE ŠKOD Z ÚŠLEHO PODNIKATEĽSKÉHO ZISKU, PRERUŠENIA PODNIKANIA, STRATY ÚDAJOV, POŠKODENIA SYSTĚMOV ALEBO STRATY DOKUMENTÁCIE, ČI UŽ NA ZÁKLADE PORUŠENIA ZMLUVY, PREČINU (VRÁTANE NEDBALOSTI), ZODPOVEDNOSTI ZA PRODUKT ALEBO INAK V SÚVISLOSTI S POUŽÍVANÍM PRODUKTU, A TO ANI V PRÍPADE, AK BOLA SPOLOČNOSŤ HIKVISION UPOZORNENÁ NA MOŽNOSŤ TAKÝCHTO ŠKOD.

UZNÁVATE, ŽE POVAHA INTERNETU UMOŽŇUJE INHERENTNÉ BEZPEČNOSTNÉ RIZIKÁ A SPOLOČNOSŤ HIKVISION NESIE ŽIADNU ZODPOVEDNOSŤ ZA NEŠTANDARDNÚ PREVÁDZKU, ÚNIK OSOBNÝCH ÚDAJOV ANI ZA INÉ ŠKODY V DÔSLEDKU KYBERNETICKÉHO ÚTOKU, HAKERSKÉHO ÚTOKU, VÍRUSOVEJ INFEKČIE ALEBO INÝCH BEZPEČNOSTNÝCH RIZÍK SIETE INTERNET; V PRÍPADE POTREBY VŠAK SPOLOČNOSŤ HIKVISION POSKYTNE VČASNÚ TECHNICKÚ PODPORU.

SÚHLASÍTE S POUŽÍVANÍM TOHTO PRODUKTU V SÚLADE SO VŠETKÝMI PRÍSLUŠNÝMI ZÁKONMI A NESIETE VÝHRADNÚ ZODPOVEDNOSŤ ZA ZABEZPEČENIE, ABY VAŠE POUŽÍVANIE BOLO V SÚLADE S PRÍSLUŠNÝMI ZÁKONMI. STE OBZVLÁŠŤ ZODPOVEDNÍ ZA POUŽÍVANIE TOHTO PRODUKTU SPÔSOBOM, KTORÝ NEPORUŠUJE PRÁVA TRETÍCH STRÁN, OKREM INÉHO PRÁVA PUBLICITY, PRÁVA DÚŠEVNÉHO VLASTNÍCTVA, PRÁVA NA OCHRANU ÚDAJOV A INÉ PRÁVA NA OCHRANU SÚKROMIA. TENTO PRODUKT NESMIETE POUŽÍVAŤ NA ŽIADNE ZAKÁZANÉ ÚČELY VRÁTANE VÝVOJA ALEBO VÝROBY ZBRANÍ HROMADNÉHO NIČENIA, VÝVOJA ALEBO VÝROBY CHEMICKÝCH ALEBO BIOLOGICKÝCH ZBRANÍ, AKÝCHKOLVEK AKTIVÍT V SÚVISLOSTI S AKOUKOLVEK JADROVOU VÝBUŠNINOU ALEBO NEBEZPEČNÝM CYKLOM JADROVÉHO PALIVA, ALEBO NA PODPORU



## ZNEUŽÍVANIA ĽUDSKÝCH PRÁV.

V PRÍPADE AKÉHOKOLIEK NESÚLADU MEDZI TOUTO PRÍRUČKOU A PLATNÝMI ZÁKONMI MAJÚ PREDNOSŤ PRÍSLUŠNÉ ZÁKONY.

### Regulačné informácie

**Tieto ustanovenia platia len pre produkty s príslušným označením alebo údajom.**

### Vyhľadanie o zhode s predpismi EÚ



Tento produkt a dodané príslušenstvo, ak je to relevantné, sú takisto označené značkou „CE“, takže sú v súlade s príslušnými harmonizovanými európskymi normami uvedenými v smernici 2014/30/EÚ (EMCD), smernici 2014/35/EÚ (LVD), smernici 2011/65/EÚ (RoHS).

Spoločnosť Hangzhou Hikvision Digital Technology Co., Ltd. týmto vyhlasuje, že toto zariadenie (pozrite štítkov) je v súlade so smernicou 2014/53/EÚ. Úplné znenie vyhlásenia o zhode EÚ je k dispozícii na tejto internetovej adrese:

<https://www.hikvision.com/europe/support/download/declaration-of-conformity/>.

Ak vaše zariadenie bolo dodané bez napájacieho adaptéra, používajte napájací adaptér dodaný kvalifikovaným výrobcom. Podrobné požiadavky na napájanie nájdete v špecifikácii výrobku.

Ak vaše zariadenie bolo dodané bez batérie, používajte batériu dodanú kvalifikovaným výrobcom. Podrobné požiadavky na batériu nájdete v špecifikácii výrobku.

### Frekvenčné pásma a výkon (pre CE)

Frekvenčné pásma a nominálne limity vysielacieho výkonu (vyžarovaný resp. vedený) platné pre nasledujúce rádiové zariadenia sú nasledovné:

#### VYSTAVENIE VYSOKOFREKVENČNÉMU ŽIARIENIU

Platí pre tieto modely zariadení:

DS-2DE\*4G\*

Frekvenčné pásma a režimy a nominálne limity prenášanej energie (vyžarovanej alebo vedenej), ktoré sa vzťahujú na toto vysielacie zariadenie, sú nasledujúce:

Wi-Fi 2,4 GHz (2,4 GHz – 2,4835 GHz)	20 dBm
GSM850: 824 – 849 MHz	32,5 ±1 dBm
GSM900: 880 – 915 MHz	32,5 ±1 dBm
DCS1800: 1710 – 1785 MHz	29,5 ±1 dBm
Pásmo WCDMA I: 1920 – 1980 MHz	23,5 ±1 dBm
Pásmo WCDMA V: 824 – 849 MHz	23,5 ±1 dBm
Pásmo WCDMA VIII: 880 – 915 MHz	23,5 ±1 dBm
Pásmo LTE 1: 1920 – 1980 MHz	23 ±1 dBm
Pásmo LTE 3: 1710 – 1785 MHz	23 ±1 dBm
Pásmo LTE 5: 824 – 849 MHz	23 ±1 dBm
Pásmo LTE 7: 2500 – 2570 MHz	23 ±1 dBm

Pásmo LTE 8: 880 – 915 MHz	23 ±1 dBm
Pásmo LTE 20: 832 – 862 MHz	23 ±1 dBm
Pásmo LTE 28: 703 – 748 MHz	23 ±1 dBm
Pásmo LTE 38: 2570 – 2620 MHz	23 ±1 dBm
Pásmo LTE 40: 2300 – 2400 MHz	23 ±1 dBm
Pásmo LTE 41: 2555 – 2655 MHz	23 ±1 dBm

Poznámka: Niektoré modely podporujú fungovanie len na určitých kanáloch siete Wi-Fi. Podrobnosti nájdete v hárku s údajmi.



2012/19/EÚ (smernica o odpade

z elektrických a elektronických zariadení):

Produkty označené týmto symbolom sa v rámci Európskej únie nesmú likvidovať spolu s netriedeným komunálnym odpadom. Po zakúpení ekvivalentného nového zariadenia zrecyklujte produkt tým, že ho odovzdáte miestnemu dodávateľovi alebo ho zlikvidujete na určených zberných miestach. Ďalšie informácie nájdete na lokalite: [www.recyclethis.info](http://www.recyclethis.info)



2006/66/EC a príslušné doplnenia

2013/56/EÚ (smernica o batériách): Tento

produkt obsahuje batériu, ktorá sa v rámci Európskej únie nesmie likvidovať spolu s netriedeným komunálnym odpadom. Konkrétne informácie o batérii nájdete v dokumentácii produktu. Batéria je označená týmto symbolom, ktorý môže obsahovať písmená označujúce obsah kadmia (Cd), olova (Pb) alebo ortuti (Hg). Správny postup likvidácie batérie je, že ju odovzdáte dodávateľovi alebo ju zlikvidujete na určenom zbernom mieste. Ďalšie informácie nájdete na lokalite: [www.recyclethis.info](http://www.recyclethis.info).

### Bezpečnostné pokyny



#### Výstrahy

#### Právne predpisy a nariadenia

Zariadenie by sa malo používať v súlade s miestnymi zákonmi, predpismi o elektrickej bezpečnosti a protipožiarными predpismi.

#### Elektrická bezpečnosť

**VÝSTRAHA:** S cieľom znížiť riziko požiaru vymeňte poistku len sa poistku rovnakého typu a parametrov. Toto zariadenie sa má nainštalovať spolu s UPS, aby sa predišlo riziku opätovného spustenia.

#### Batéria

Toto zariadenie nie je vhodné na používanie na miestach, na ktorých sa môžu vyskytovať deti. **VÝSTRAHA:** Riziko výbuchu v prípade výmeny batérie za nesprávny typ.

Pri nevhodnej výmene batérie za nesprávny typ sa môže deaktivovať bezpečnostný prvok (napríklad pri niektorých typoch lítiových batérií).

Batériu nekladajte do ohňa alebo horúcej rúry ani ju mechanicky nedrťte ani nerezte, pretože by to mohlo spôsobiť výbuch.

Batériu nenechávajte v prostredí s mimoriadne

vysokou teplotou, čo môže viesť k výbuchu alebo úniku horľavých kvapalín alebo plynov.

Batériu nevystavujte mimoriadne nízkemu tlaku vzduchu, čo môže viesť k výbuchu alebo úniku horľavých kvapalín alebo plynov.

Použitie batérie zlikvidujte podľa príslušných pokynov.



### Výstraha

#### Predchádzanie požiarom

Na zariadenie sa nesmú umiestňovať žiadne zdroje otvoreného ohňa, napríklad zapálené sviečky.

Sériový port na zariadení slúži len na servisné účely.

#### Horúci povrch



**VÝSTRAHA:** Horúce súčasti! Pri manipulácii so súčasťami si môžete popáliť prsty.

Táto nálepka označuje, že označený predmet môže byť horúci a je potrebné byť opatrný. Pred manipuláciou so súčasťami počkajte pol hodiny po vypnutí zariadenia.

Zariadenie s touto nálepkou je určené na inštaláciu na mieste s obmedzeným prístupom. Prístup je možné udeliť len zamestnancom servisu alebo používateľom, ktorí boli poučení o dôvodoch obmedzenia prístupu na dané miesto a o všetkých bezpečnostných opatreniach, ktoré sa musia dodržať.

#### Inštalácia

Zariadenie nainštalujte podľa pokynov v tejto príručke.

Aby sa predišlo zraneniu, musí byť zariadenie bezpečne pripevnené k stropu/stene podľa inštalčných pokynov.

Uistite sa, že na inštaláciu zariadenia a príslušenstva máte dostatok miesta.

Skontrolujte, či je stena dostatočne pevná, aby udržala minimálne osemmásobok hmotnosti zariadenia a držiaka.

Pred pripájaním, inštaláciou alebo demontážou zariadenia sa uistite, že je odpojené napájanie.

#### Pravara

Pri preprave ponechajte zariadenie v pôvodnom alebo podobnom balení.

Chráňte zariadenie pred pádom alebo nárazom.

#### Zdroj napájania

Zdroj napájania by mal spĺňať požiadavky obmedzeného zdroja napájania alebo PS2 podľa normy IEC 60950-1 alebo IEC 62368-1.

Informácie o štandardnom zdroji napájania nájdete na štítku zariadenia. Uistite sa, že váš zdroj napájania zodpovedá požiadavkám zariadenia.

Používajte napájací adaptér dodaný niektorým z oprávnených výrobcov. Pre každé zariadenie sa odporúča zabezpečiť samostatný napájací adaptér, pretože preťaženie adaptéra môže spôsobiť prehriatie alebo požiar.

#### Zabezpečenie systému

Upozorňujeme, že ste zodpovední za konfiguráciu všetkých hesiel a ďalších bezpečnostných nastavení zariadenia a za uchovanie používateľského mena a hesla.

#### Údržba

Ak produkt nepracuje správne, obráťte sa na

predajcu alebo na najbližšie servisné stredisko. Nepreferujeme žiadnu zodpovednosť za problémy spôsobené neoprávnenou opravou alebo údržbou. Niekoľko komponentov zariadenia (napr. elektrolytický kondenzátor) si vyžaduje pravidelnú výmenu. Priemerná doba životnosti sa líši, preto odporúčame pravidelnú kontrolu. So žiadosťou o ďalšie podrobnosti sa obráťte na predajcu.

#### Čistenie

Pri čistení vnútorných a vonkajších povrchov používajte jemnú a suchú handričku. Nepoužívajte alkalické saponáty.

#### Prevádzkové prostredie

Pri používaní akéhokoľvek laserového vybavenia zabezpečte, aby objektív zariadenia nebol vystavený laserovému lúču, inak sa môže vypáliť.

Šošovkou nemierte na slnko ani na žiadny iný silný zdroj svetla.

Aby sa predišlo hromadeniu tepla, je potrebné dobré vetranie správneho prevádzkového prostredia.

Zariadenie NEVYSTAVUJTE extrémne horúcemu, chladnému, prašnému, korozívnemu, slanému alkalickému alebo vlhkému prostrediu.

V prípade exteriérových zariadení musí byť pracovná teplota  $-30^{\circ}\text{C}$  až  $65^{\circ}\text{C}$  ( $-22^{\circ}\text{F}$  až  $149^{\circ}\text{F}$ ) a pracovná vlhkosť nižšia ako 90 %. V prípade interiérových zariadení musí byť pracovná teplota  $-10^{\circ}\text{C}$  až  $50^{\circ}\text{C}$  ( $-14^{\circ}\text{F}$  až  $122^{\circ}\text{F}$ ) a pracovná vlhkosť nižšia ako 90 %.

Zariadenie NEVYSTAVUJTE silnému elektromagnetickému žiareniu.

#### Zdroj svetla

Uistite sa, že príliš blízko k objektívu zariadenia nie je žiadny reflexný povrch. Svetlo zo zariadenia sa môže odraziť späť do objektívu a spôsobiť zrkadlenie.

Lúč svetla na vzdialenosť 200 mm je klasifikovaný ako riziková skupina 1 (RG1). Minimálna bezpečná vzdialenosť od zariadenia je približne 1 350 mm.

Tento produkt môže vyžarovať nebezpečné optické žiarenie. Tento produkt vyžaruje infračervené žiarenie. NEPOZERAJTE sa do zapnutého zdroja svetla. Môže byť škodlivý pre oči.

Ak nie je k dispozícii vhodné tienenie alebo ochrana zraku, svetlo zapínajte len v bezpečnej vzdialenosti alebo na mieste, ktoré nie je priamo vystavené svetlu.

Pri montáži, inštalácii alebo údržbe zariadenia NEZAPÍNAJTE svetlo alebo noste ochranu zraku.

#### Núdzový režim

Ak zo zariadenia vychádza dym, zápach alebo hluk, ihneď vypnite napájanie, odpojte napájací kábel a obráťte sa na servisné stredisko.

#### Synchronizácia času

Ak lokálny čas nie je synchronizovaný s časom siete, nastavte čas zariadenia pre prvý prístup manuálne. Zobrazte zariadenie vo webovom prehliadači/ klientskom softvéri a prejdite do rozhrania nastavenia času.

## Bahasa Indonesia



Tampilan produk hanya untuk referensi dan dapat berbeda dari tampilan produk yang sebenarnya.



©2023 Hangzhou Hikvision Digital Technology Co., Ltd. Hak cipta dilindungi undang-undang.

## Tentang Manual ini

Manual ini berisi petunjuk untuk menggunakan dan mengelola produk. Foto, diagram, gambar, dan semua informasi lain di dalam dokumen ini hanya untuk gambaran dan penjelasan. Informasi yang ada di dalam Manual ini dapat berubah, tanpa pemberitahuan, akibat adanya pembaruan firmware atau sebab lain. Anda dapat menemukan versi terbaru Manual ini di situs web Hikvision (<https://www.hikvision.com/>).

Harap gunakan Manual ini dengan panduan dan bantuan tenaga profesional yang terlatih dalam mendukung Produk ini.

## Merek Dagang

**HIKVISION** dan merek dagang serta logo Hikvision lainnya adalah milik Hikvision di berbagai wilayah hukum.

Merek dagang dan logo lain yang disebutkan dalam dokumen ini adalah milik pemilik yang bersangkutan.

## PENAFIAN

SEPANJANG DIPERBOLEHKAN OLEH PERATURAN YANG BERLAKU, MANUAL INI DAN PRODUK YANG DIJELASKAN, BERSERTA PERANGKAT KERAS, PERANGKAT LUNAK, DAN FIRMWARE, DISEDIAKAN "SEPERTI ADANYA" DAN "DENGAN SEMUA CACAT DAN KESALAHAN". HIKVISION TIDAK MEMBERIKAN JAMINAN TERSURAT ATAU TIDAK TERSURAT, TERMASUK TIDAK TERBATAS PADA, JAMINAN KOMERSIAL, KUALITAS MEMUASKAN, ATAU TIDAK KECOCOKAN UNTUK TUJUAN TERTENTU. PENGGUNAAN PRODUK OLEH ANDA ADALAH ATAS RISIKO ANDA SENDIRI. DALAM SEGALA HAL, HIKVISION TIDAK BERTANGGUNG JAWAB KEPADA ANDA ATAS KERUSAKAN KHUSUS, IKUTAN, INSIDENTIL, ATAU TIDAK LANGSUNG, TERMASUK, ANTARA LAIN, KERUGIAN AKIBAT HILANGNYA LABA USAHA, TERGANGGUNYA USAHA, ATAU HILANGNYA DATA, KERUSAKAN SISTEM, ATAU HILANGNYA DOKUMEN, BAIK BERDASARKAN PELANGGARAN ATAS KONTRAK, TINDAKAN MELAWAN HUKUM (TERMASUK KELALAIAN), KEWAJIBAN PRODUK, ATAU LAINNYA, TERKAIT PENGGUNAAN PERANGKAT LUNAK, MESKIPUN HIKVISION SUDAH DIBERITAHU ADANYA POTENSI KERUSAKAN ATAU KERUGIAN SEMACAM ITU.

ANDA MENAKUI BAHWA SIFAT INTERNET MENGHADIRKAN RISIKO KEAMANAN TIDAK TERLIHAT, DAN HIKVISION TIDAK BERTANGGUNG JAWAB ATAS ABNORMALITAS PENGOPERASIAN, KEBOCORAN PRIVASI, ATAU KERUSAKAN LAIN AKIBAT SERANGAN SIBER, SERANGAN PERETAS, INFEKSI VIRUS, DAN RISIKO KEAMANAN INTERNET LAINNYA; AKAN TETAPI, HIKVISION AKAN MENYEDIAKAN DUKUNGAN TEKNIS SECARA BERKALA JIKA DIBUTUHKAN.

ANDA SETUJU UNTUK MENGGUNAKAN PRODUK INI DENGAN MEMATUHI SEMUA PERATURAN YANG BERLAKU DAN ANDA SECARA PRIBADI BERTANGGUNG JAWAB MEMASTIKAN PENGGUNAAN OLEH ANDA MEMATUHI PERATURAN YANG BERLAKU. SECARA KHUSUS, ANDA BERTANGGUNG JAWAB MENGGUNAKAN PRODUK DENGAN CARA YANG TIDAK MELANGGAR HAK-HAK PIHAK KETIGA, TERMASUK TANPA BATASAN PADA, HAK PUBLISITAS, HAK KEKAYAAN INTELEKTUAL, ATAU PERLINDUNGAN

DATA DAN HAK PRIVASI LAINNYA. ANDA DILARANG MENGGUNAKAN PRODUK UNTUK PENGGUNAAN AKHIR YANG DILARANG, TERMASUK PENGEMBANGAN ATAU PRODUKSI SENJATA PEMUSNAH MASSAL, PENGEMBANGAN ATAU PRODUKSI SENJATA KIMIA ATAU BIOLOGIS, AKTIVITAS YANG BERHUBUNGAN DENGAN BAHAN PELANGGARAN NUKLIR ATAU DAUR BAHAN BAKAR NUKLIR SECARA TIDAK AMAN ATAU UNTUK MENDUKUNG PELANGGARAN HAK ASASI MANUSIA.

JIKA ADA KETIDAKSESUAIAN ANTARA MANUAL INI DAN HUKUM YANG BERLAKU, MAKA HUKUM YANG DIBERLAKUKAN.

## Informasi Terkait Peraturan

**Klausul ini hanya berlaku untuk produk yang memuat tanda atau informasi yang sesuai.**

## Pernyataan Kepatuhan UE

**CE** Produk ini dan - jika berlaku - juga aksesorinya yang disediakan mencantumkan tanda "CE" dan oleh karena itu mematuhi standar Eropa yang diharmonisasikan dan berlaku berdasarkan Direktif 2014/30/UE (EMCD), Direktif 2014/35/UE (LVD), Direktif 2011/65/UE (RoHS).

Dengan ini, Hangzhou Hikvision Digital Technology Co., Ltd. menyatakan bahwa perangkat ini (lihat label) mematuhi Direktif 2014/53/UE. Teks lengkap deklarasi kesesuaian UE tersedia di alamat internet berikut ini: <https://www.hikvision.com/europe/support/download/declaration-of-conformity/>.

Untuk perangkat tanpa adaptor daya yang disertakan, gunakan adaptor daya yang disediakan oleh produsen yang memiliki kualifikasi. Baca spesifikasi produk untuk mengetahui tentang persyaratan daya secara detail.

Untuk perangkat tanpa baterai yang disertakan, gunakan baterai yang disediakan oleh produsen yang memiliki kualifikasi. Baca spesifikasi produk untuk mengetahui tentang persyaratan baterai secara detail.

## Pita frekuensi dan Daya (untuk CE)

Pita frekuensi dan batas nominal daya transmisi (radiasi dan/atau konduksi) yang berlaku untuk peralatan radio berikut adalah sebagai berikut:

### PAPARAN KE FREKUENSI RADIO RF

Berlaku untuk model perangkat berikut: DS-2DE\*4G\*

Pita dan mode frekuensi dan batas nominal daya yang ditransmisikan (diradiasikan dan/atau dialirkan) yang berlaku untuk perangkat radio ini adalah sebagai berikut:

Wi-Fi 2,4 GHz (2,4 GHz – 2,4835 GHz)	20 dBm
GSM850: 824 – 849 MHz	32,5±1 dBm
GSM900: 880 – 915 MHz	32,5±1 dBm
DCS1800: 1710 – 1785 MHz	29,5±1 dBm
WCDMA Band I: 1920 – 1980 MHz	23,5±1 dBm
WCDMA Band V: 824 – 849 MHz	23,5±1 dBm

WCDMA Band VIII: 880 – 915 MHz	23,5±1 dBm
LTE Band 1: 1920 – 1980 MHz	23±1 dBm
LTE Band 3: 1710 – 1785 MHz	23±1 dBm
LTE Band 5: 824 – 849 MHz	23±1 dBm
LTE Band 7: 2500 – 2570 MHz	23±1 dBm
LTE Band 8: 880 – 915 MHz	23±1 dBm
LTE Band 20: 832 – 862 MHz	23±1 dBm
LTE Band 28: 703 – 748 MHz	23±1 dBm
LTE Band 38: 2570 – 2620 MHz	23±1 dBm
LTE Band 40: 2300 – 2400 MHz	23±1 dBm
LTE Band 41: 2555 – 2655 MHz	23±1 dBm

Catatan: Beberapa model hanya didukung untuk berfungsi pada saluran Wi-Fi tertentu. Lihat lembar data untuk detailnya.



2012/19/UE (WEEE directive): Produk yang bertanda simbol ini tidak boleh dibuang sebagai sampah umum yang tidak disortir di wilayah Uni Eropa. Agar dapat didaur ulang sesuai ketentuan, kembalikan produk ini ke toko terdekat saat Anda membeli peralatan pengganti yang baru, atau buang pada titik pengumpulan yang ditentukan. Untuk informasi lebih lengkap, kunjungi: [www.recyclethis.info](http://www.recyclethis.info)



2006/66/EC dan amendemennya 2013/56/UE (ketentuan baterai): Produk ini berisi baterai yang tidak boleh dibuang sebagai sampah umum yang tidak disortir di wilayah Uni Eropa. Lihat dokumentasi produk untuk informasi spesifik tentang baterai. Baterai ini ditandai dengan simbol ini, yang mungkin disertai huruf untuk menandakan kadmium (Cd), timbal (Pb), atau merkuri (Hg). Untuk daur ulang yang layak, kembalikan baterai ke pemasok Anda atau ke tempat pengumpulan yang ditunjuk. Untuk informasi lebih lengkap, kunjungi: [www.recyclethis.info](http://www.recyclethis.info).

## Petunjuk Keselamatan



### Peringatan

#### Undang-Undang dan Peraturan

Perangkat harus digunakan sesuai dengan undang-undang setempat, peraturan keselamatan kelistrikan, dan peraturan terkait pencegahan kebakaran.

#### Keamanan Elektrik

**PERHATIAN:** Untuk mengurangi risiko kebakaran, ganti sekering dengan tipe dan rating yang sama saja. Peralatan ini harus dipasang bersama dengan UPS untuk menghindari risiko memulai ulang.

#### Baterai

Peralatan ini tidak cocok untuk digunakan di lokasi anak-anak beraktivitas.

**PERHATIAN:** Risiko ledakan jika baterai diganti dengan jenis yang salah.

Penggantian baterai yang tidak tepat dengan baterai dari tipe yang salah dapat memengaruhi keamanan (misalnya, untuk beberapa tipe baterai lithium).

Jangan membuang baterai ke dalam api atau oven

panas, atau menghancurkan atau memotongnya secara mekanis, karena dapat menyebabkan ledakan.

Jangan meletakkan baterai di lingkungan yang bersuhu sangat tinggi, karena dapat menyebabkan ledakan atau kebocoran cairan atau gas yang mudah terbakar.

Jangan membiarkan baterai terpapar tekanan udara yang sangat rendah, karena dapat menyebabkan ledakan atau kebocoran cairan atau gas yang mudah terbakar.

Buang baterai bekas sesuai petunjuk.



### Perhatian

#### Pencegahan Kebakaran

Jangan menempatkan sumber nyala terbuka, misalnya lilin, di atas peralatan.

Gunakan port seri peralatan untuk debugging saja.

#### Permukaan Panas



**PERHATIAN:** Komponen panas! Jari terbakar saat menangani komponen.

Stiker ini untuk mengindikasikan bahwa item yang ditandai bisa menjadi panas dan tidak boleh disentuh tanpa waktu pendinginan. Tunggu satu setengah jam setelah peralatan dimatikan sebelum menangani komponen.

Perangkat dengan stiker ini dimaksudkan untuk pemasangan pada lokasi dengan akses terbatas. Akses hanya dapat didapatkan oleh petugas layanan atau oleh pengguna yang telah mendapat instruksi tentang alasan pembatasan yang diterapkan ke lokasi tersebut dan mengenai langkah pencegahan yang harus dilakukan.

#### Pemasangan

Pasang peralatan sesuai petunjuk di dalam manual ini.

Untuk mencegah terjadinya cedera, peralatan ini harus dipasang dengan kuat ke plafon/dinding sesuai dengan petunjuk pemasangan.

Pastikan ada ruang yang cukup untuk memasang perangkat dan aksesorinya.

Pastikan dinding/plafon cukup kuat untuk menahan setidaknya 8 kali bobot perangkat dan dudukannya.

Pastikan aliran daya dimatikan sebelum Anda menyambung, memasang, atau membongkar perangkat.

#### Transportasi

Kemas perangkat dalam kemasan aslinya atau yang serupa saat memindahkannya.

Jangan menjatuhkan produk atau membuatnya terkena guncangan fisik.

#### Catu Daya

Sumber daya harus memenuhi ketentuan sumber daya terbatas atau PS2 menurut standar IEC 60950-1 atau IEC 62368-1.

Lihat label perangkat untuk catu daya standar. Pastikan catu daya Anda sesuai untuk perangkat Anda.

Gunakan adaptor daya yang disediakan oleh produsen yang memenuhi kualifikasi. Anda disarankan untuk menyediakan adaptor daya terpisah untuk setiap perangkat karena adaptor yang kelebihan beban dapat menjadi terlalu panas

(over-heating) atau menyebabkan bahaya kebakaran.

### Keamanan Sistem

Harap dipahami bahwa Anda bertanggung jawab untuk mengkonfigurasi semua kata sandi dan setelah keamanan lainnya terkait perangkat, serta simpan nama pengguna dan kata sandi Anda.

### Pemeliharaan

Jika produk tidak berfungsi dengan baik, hubungi dealer atau pusat servis terdekat. Kami tidak bertanggung jawab atas masalah yang disebabkan oleh perbaikan atau perawatan yang tidak resmi.

Beberapa komponen perangkat (mis., kapasitor elektrolitik) harus diganti secara rutin. Masa pakai rata-rata bervariasi, jadi disarankan melakukan pemeriksaan periodik. Hubungi dealer Anda untuk informasi selengkapnya.

### Pembersihan

Gunakan kain lembut dan kering untuk membersihkan permukaan bagian dalam dan bagian luar. Dilarang menggunakan detergen alkalin.

### Lingkungan Penggunaan

Saat ada perangkat laser yang sedang digunakan, pastikan lensa perangkat tidak terpapar sorotan laser, karena bisa terbakar.

JANGAN mengarahkan lensa ke matahari atau cahaya terang lainnya.

Untuk menghindari akumulasi panas, diperlukan ventilasi yang baik untuk lingkungan operasional yang tepat.

JANGAN membiarkan perangkat terpapar lingkungan yang sangat panas, sangat dingin, berdebu, korosif, mengandung garam-alkali, atau lembap.

Untuk perangkat luar ruangan, suhu kerja adalah antara -30°C hingga 65°C (-22°F hingga 149°F) dan kelembapan kerja harus kurang dari 90%. Untuk perangkat dalam ruangan, suhu kerja adalah antara -10°C hingga 50°C (-14°F hingga 122°F) dan kelembapan kerja harus kurang dari 90%.

JANGAN membiarkan perangkat terpapar radiasi elektromagnetik tinggi.

### luminator

Pastikan tidak ada permukaan reflektif yang terlalu dekat dengan lensa perangkat. Cahaya dari perangkat dapat memantul kembali ke lensa dan menyebabkan pantulan.

Berkas cahaya pada jarak 200 mm diklasifikasikan sebagai Risiko Grup 1 (RG1). Jarak aman minimal adalah sekitar 1.350 mm dari perangkat.

Produk ini dapat memancarkan radiasi optik berbahaya. Produk ini memancarkan IR. JANGAN memandang sumber cahaya yang menyala. Dapat membahayakan mata.

Jika pelindung atau pelindung mata yang sesuai tidak tersedia, nyalakan lampu hanya pada jarak yang aman atau di area yang tidak secara langsung terkena cahaya.

Saat merakit, memasang, atau merawat perangkat, JANGAN nyalakan lampu, atau kenakan pelindung mata.

### Darurat

Jika muncul asap, bau, atau derau dari perangkat, segera matikan perangkat, cabut kabel daya, lalu hubungi pusat servis.

### SINKRONISASI WAKTU

Setel waktu perangkat secara manual untuk akses pertama kali jika waktu setempat tidak sinkron dengan waktu jaringan. Kunjungi perangkat melalui peramban web/perangkat lunak klien lalu buka antarmuka pengaturan waktu.



ပစ္စည်း ပုံသဏ္ဍာန်သည် ကိုးကားရန်အတွက်သာဖြစ်ပြီး ကုန်ပစ္စည်းအစစ်နှင့် ကွဲပြားမှု ရှိနိုင်ပါသည်။

### ©2023 Hangzhou Hikvision Digital Technology Co., Ltd. မူပိုင်ခွင့်ရယူထားသည်။

### ဤလမ်းညွှန်အကြောင်း

ဤလမ်းညွှန်တွင် ထုတ်ကုန်ပစ္စည်းအား အသုံးပြုခြင်းနှင့် စီမံခြင်းဆိုင်ရာ ညွှန်ကြားချက်များ ပါရှိသည်။

ဤလမ်းညွှန်ပါ ရုပ်ပုံများ၊ ပုံပြကားချပ်များ၊ ဓာတ်ပုံများနှင့် အခြားသတင်းအချက်အလက် အားလုံးသည် ဖော်ပြရန်၊ ရှင်းပြရန်အတွက်သာ ထည့်သွင်းထားခြင်း ဖြစ်ပါသည်။

ဤလမ်းညွှန်ပါ သတင်းအချက်အလက်များကို ဖမ်းဝဲ အပ်ဒိပ်လုပ်ခြင်းကြောင့်ဖြစ်စေ၊

အခြားအကြောင်းရင်းများကြောင့်ဖြစ်စေ

ကြိုတင်အသိပေးခြင်း မရှိဘဲ ပြောင်းလဲနိုင်သည်။

ဤလမ်းညွှန်၏ နောက်ဆုံးရလဒ်အတွက် (<https://www.hikvision.com/>) Hikvision အင်တာနက်စာမျက်နှာတွင် ရနိုင်ပါသည်။

ယခုထုတ်ကုန်ပစ္စည်းအား ကူညီထောက်မပရာတွင် လေ့ကျင့်မှုရရှိထားသော ကျွမ်းကျင်သူများ၏ လမ်းညွှန်မှန်နှင့် အထောက်အပံ့တို့နှင့်အညီ ဤလမ်းညွှန်ကို အသုံးပြုပါ။

### ကုန်ပစ္စည်း အမှတ်တံဆိပ်များ

**HIKVISION** နှင့် အခြား Hikvision ၏

ကုန်ပစ္စည်း အမှတ်တံဆိပ်များနှင့် လိုဂိုများသည် အမျိုးမျိုးသော တရားစီရင်ပိုင်ခွင့်များတွင် Hikvision ၏ ပိုင်ဆိုင်မှုများ ဖြစ်သည်။

ဖော်ပြထားသည့် အခြား ကုန်ပစ္စည်း အမှတ်တံဆိပ်များနှင့် လိုဂိုများသည် ၎င်းတို့၏ သက်ဆိုင်ရာ ပိုင်ရှင်များ၏ ပိုင်ဆိုင်မှုများ ဖြစ်ကြပါသည်။

### ငြင်းဆိုချက်

အကျိုးဝင်သည့် သက်ဆိုင်သောဥပဒေက ခွင့်ပြုထားသည့် အမြင့်ဆုံး အတိုင်းအတာဖြင့် ဤလက်စွဲစာအုပ်နှင့် ဖော်ပြထားသော ထုတ်ကုန်ကို

ငင်း၏ စက်ပစ္စည်းများ၊ ဆော့ဖ်ဝဲနှင့် ဖမ်းဝံများနှင့်အတူ "ယင်းအတိုင်း" နှင့် "အမှားအယွင်းများအားလုံးနှင့်အတူ" ဖော်ပြထားသည်။ HIKVISION သည် ကန့်သတ်မှု၊ ကုန်သွယ်နိုင်စွမ်း၊ ကျေနပ်လောက်ဖွယ် အရည်အသွေး၊ သို့မဟုတ် သီးခြားရည်ရွယ်ချက် တစ်စုံတစ်ခုအတွက် ကြံ့ခိုင်မှုများ မရှိခြင်း အပါအဝင် မည်သည့် အာမခံချက်များကို အတိအလင်း ဖြစ်စေ သွယ်ဝိုက်၍ ဖြစ်စေ ပေးထားခြင်း မရှိပါ။ ကုန်ပစ္စည်းအား အသုံးပြုပါက သင့်ဘာသာသင် တာဝန်ယူ ရမည်။

မည်သည့်အခြေအနေတွင်မဆို စာချုပ်ချိုးဖောက်မှုကြောင့်ဖြစ်စေ၊ အကျိုးပျက်စီး၍ဖြစ်စေ (ပေါ့လျော့မှု အပါအဝင်)၊ ထုတ်ကုန်ပစ္စည်း ပြဿနာ ကြောင့်ဖြစ်စေ၊ သို့မဟုတ်ပါက ဤထုတ်ကုန်ပစ္စည်းအား အသုံးပြုမှုကြောင့် ဖြစ်စေ စီးပွားရေးလုပ်ငန်း အကျိုးအမြတ် ဆုံးရှုံးမှု သို့မဟုတ် အချက်အလက် ဆုံးရှုံးမှု၊ စနစ်များ ယိုယွင်းပျက်စီးမှု သို့မဟုတ် စာရွက်စာတမ်း ပျက်စီး ပျောက်ဆုံးမှုကြောင့် ထိခိုက်မှုများ အပါအဝင် အထူးတလည်၊ အကျိုးဆက်စပ်၍၊ မတော်တဆ သို့မဟုတ် တိုက်ရိုက် ထိခိုက်မှုများအတွက် ထိုထိခိုက်မှု သို့မဟုတ် ဆုံးရှုံးမှုများအကြောင်း HIKVISION အား အကြံပြု အသိပေးပြီး ဖြစ်စေကာမူ HIKVISION မှ တာဝန်ယူမည် မဟုတ်ပါ။

အင်တာနက် သဘောသဘာဝအရ တည်ရှိဆဲ လုံခြုံရေး ဘေးအန္တရာယ်များ ပေးနိုင်သည်ကို သင် အသိအမှတ်ပြုပြီး ပုံမှန်မဟုတ်သော လုပ်ငန်းလည်ပတ်မှု၊ ပုဂ္ဂိုလ်ရေးဆိုင်ရာ အချက်အလက် ပေါက်ကြားမှု သို့မဟုတ် ဆိုင်ဘာ တိုက်ခိုက်မှုများ၊ ဟက်ကာ တိုက်ခိုက်မှုများ၊ ဗိုင်းရပ်စ် ကူးစက်မှု သို့မဟုတ် အခြား အင်တာနက် လုံခြုံရေး အန္တရာယ်များ၏ ရလဒ်အဖြစ် ဖြစ်ပေါ်လာသော အခြားပျက်စီးမှုများ၊ အပေါ် HIKVISION သည် တာဝန်ယူလိမ့်မည်မဟုတ်ပါ။ သို့ရာတွင် HIKVISION သည် လိုအပ်ပါက နည်းပညာပံ့ပိုးမှုကို အချိန်နှင့် တစ်ပြေးညီပေးသွားမည်။ သင်သည် အကျိုးဝင်သော ဥပဒေများနှင့် အညီ ဤကုန်ပစ္စည်းကို အသုံးပြုရန် သဘောတူညီပြီး သင်၏ အသုံးပြုမှုသည် အကျိုးဝင်သော ဥပဒေနှင့် ကိုက်ညီစေရန် သင်က လုံးဝ တာဝန်ခံရမည် ဖြစ်သည်။ အထူးသဖြင့် သင်သည် ဤကုန်ပစ္စည်းကို အသုံးပြုရာတွင် အများပြည်သူ၏ အခွင့်အရေးများ၊ အသိပညာ ပိုင်ဆိုင်မှု အခွင့်အရေးများ သို့မဟုတ် အချက်အလက် ကာကွယ်ရေး နှင့် အခြား ပုဂ္ဂိုလ်ရေး

ဆိုင်ရာ အချက်အလက် လုံခြုံမှု အခွင့်အရေးများ အပါအဝင် ဖြစ်သော်လည်း ယင်းတို့သာ အကန့်အသတ်မဟုတ်ဘဲ အပြင်အပ လူပုဂ္ဂိုလ် များ၏ အခွင့်အရေးများကို ချိုးဖောက်သော ပုံစံဖြင့် အသုံးပြုခြင်း မပြုရန် သင့်တွင် တာဝန်ရှိသည်။ လူအစုအပြုံလိုက် သေကြေပျက်စီးစေနိုင်သော လက်နက်များ တီထွင် ဖန်တီးခြင်း သို့မဟုတ် ထုတ်လုပ်ခြင်း၊ ဓာတု သို့မဟုတ် ဇီဝ လက်နက်များ တီထွင်ဖန်တီးခြင်း သို့မဟုတ် ထုတ်လုပ်ခြင်း၊ မည်သည့် ပေါက်ကွဲစေတတ်သော နျူးကလီးယား လက်နက် သို့မဟုတ် ဘေးကင်းလုံခြုံမှု မရှိသော နျူးကလီးယား လောင်စာ သံသရာတို့နှင့် သက်ဆိုင်သော အခြေအနေတွင် သို့မဟုတ် လူ့အခွင့်အရေး ချိုးဖောက်မှုကို ပံ့ပိုးသော လုပ်ဆောင်မှု တစ်စုံတရာ တို့ အပါအဝင် မည်သည့် အဆုံးသတ် အသုံးပြုမှု အတွက်ကိုမဆို သင်သည် ဤကုန်ပစ္စည်းကို အသုံးပြုခြင်း မပြုရပါ။

ဤလမ်းညွှန်နှင့် သက်ဆိုင်ရာ ဥပဒေတို့အကြား ကွဲလွဲမှုများ ရှိခဲ့ပါက ဥပဒေပါ ပြဌာန်းချက်ကိုသာ အတည်ယူရမည်။

**စည်းကမ်းချက်ဆိုင်ရာ အချက်အလက်များ**

---

**ဤအပိုင်းများသည် သက်ဆိုင်ရာ အမှတ်အသား သို့မဟုတ် အချက်အလက်များ ပါရှိသော ထုတ်ကုန်များနှင့်သာ သက်ဆိုင်ပါသည်။**

---

**EU လိုက်နာရန် ထုတ်ပြန်ချက်**

**CE** ဤထုတ်ကုန်နှင့် - ကိုက်ညီပါက - ပံ့ပိုးပေးထားသော ဆက်စပ်ပစ္စည်းများကိုလည်း "CE" ဖြင့် အမှတ်အသားပြုထားပြီး 2014/30/EU (EMCD) ညွှန်ကြားချက်၊ 2014/35/EU (LVD) ညွှန်ကြားချက်၊ 2011/65/EU (RoHS) ညွှန်ကြားချက် အောက်တွင် ဖော်ပြထားသော သက်ဆိုင်ရာ သဟဇာတဖြစ်သော ဥရောပစံနှုန်းများနှင့် ကိုက်ညီပါသည်။

Hangzhou Hikvision ဒစ်ဂျစ်တယ်နည်းပညာ ကုမ္ပဏီ လီမိတက်သည် ဤနေရာမှ ကြေညာအပ်သည်မှာ ဤကိုရိယာသည် (ကပ်ထားသော တံဆိပ်ကို ကိုးကားပါ) သည် လမ်းညွှန်ချက် 2014/53/EU နှင့် ကိုက်ညီသည်။ EU ၏ သတ်မှတ်ချက်ကို လိုက်နာသော ကြေညာချက် စာသားအပြည့်အစုံကို အောက်ပါ အင်တာနက် လိပ်စာများတွင် ရနိုင်သည်- <https://www.hikvision.com/europe/support/down>

load/declaration-of-conformity/.

ပါဝါ အဒက်ပတာ မပါရှိသော ကိရိယာများအတွက် အရည်အသွေးမီသော ထုတ်လုပ်သူမှ ထုတ်သော ပါဝါ အဒက်ပတာကို သုံးပါ။ ပါဝါ လိုအပ်ချက်ဆိုင်ရာ အသေးစိတ်အတွက် ထုတ်ကုန် သတ်မှတ်ချက်များကို ကိုးကားပါ။

ဘက်ထရီမပါရှိသော ကိရိယာများအတွက် အရည်အသွေးမီသော ထုတ်လုပ်သူမှ ထုတ်သော ဘက်ထရီကို သုံးပါ။ ဘက်ထရီ လိုအပ်ချက်များ အသေးစိတ်အတွက် ထုတ်ကုန် သတ်မှတ်ချက်များကို ကိုးကားပါ။

**ကြိမ်နှုန်းခွင်များနှင့် ပါဝါ (CE အတွက်)**

အောက်ဖော်ပြပါ ရေဒီယိုစက်ပစ္စည်းနှင့် သက်ဆိုင်သော ကြိမ်နှုန်းခွင်များနှင့် အားထုတ်လွှတ်မှုကန့်သတ်ချက် (ဖြာထွက်မှုနှင့်/သို့မဟုတ် လျှပ်ကူးမှု) တို့မှာ အောက်ပါအတိုင်းဖြစ်ပါသည်-

**ရေဒီယို လှိုင်း RF နှင့် ထိတွေ့မှု**

အောက်ပါစက်ပစ္စည်းမော်ဒယ်များနှင့် သက်ဆိုင်သည်- DS-2DE\*4G\*

ကြိမ်နှုန်းလှိုင်းများနှင့် မုဒ်များ နှင့် ဤရေဒီယိုနည်းပညာသုံး စက်ပစ္စည်းအတွက် သက်ရောက်နိုင်သော ထုတ်လွှတ်ပါဝါ (ရောင်ခြည်ဖြာထွက်မှု နှင့်/သို့မဟုတ် လုပ်ဆောင်မှု) ၏ အမည်ခံကန့်သတ်ချက်များမှာ အောက်ပါအတိုင်းဖြစ်ပါသည်-

Wi-Fi 2.4 GHz (2.4 GHz – 2.4835 GHz)	20 dBm
GSM850: 824 – 849 MHz	32.5±1 dBm
GSM900- 880 – 915 MHz	32.5±1 dBm
DCS1800- 1710 – 1785 MHz	29.5±1 dBm
WCDMA လှိုင်း I - 1920 – 1980 MHz	23.5±1 dBm
WCDMA လှိုင်း V - 824 – 849 MHz	23.5±1 dBm
WCDMA လှိုင်း VIII - 880 – 915 MHz	23.5±1 dBm
LTE လှိုင်းခွင် 1- 1920 – 1980 MHz	23±1 dBm
LTE လှိုင်းခွင် 3-	23±1 dBm

1710 – 1785 MHz	
LTE လှိုင်းခွင် 5- 824 – 849 MHz	23±1 dBm
LTE လှိုင်းခွင် 7- 2500 – 2570 MHz	23±1 dBm
LTE လှိုင်းခွင် 8- 880 – 915 MHz	23±1 dBm
LTE လှိုင်းခွင် 20- 832 – 862 MHz	23±1 dBm
LTE လှိုင်းခွင် 28- 703 – 748 MHz	23±1 dBm
LTE လှိုင်းခွင် 38- 2570 – 2620 MHz	23±1 dBm
LTE လှိုင်းခွင် 40- 2300 – 2400 MHz	23±1 dBm
LTE လှိုင်းခွင် 41- 2555 – 2655 MHz	23±1 dBm

မှတ်ချက်- အချို့သောမော်ဒယ်များသည် သီးသန့် Wi-Fi ချိန်နှယ်များတွင်သာ အလုပ်လုပ်ရန် ပံ့ပိုးထားသည်။ အသေးစိတ်အတွက် ဒေတာစာရွက်ကို ကိုးကားပါ။



2012/19/EU (WEEE ညွှန်ကြားချက်)- ဤသင်္ကေတ ကပ်ထားသည့် ထုတ်ကုန်များကို ဥရောပသမဂ္ဂအတွင်း

ရောနှောစည်ပင်အမှိုက်အနေဖြင့် စွန့်ပစ်နိုင်ခြင်း မရှိပါ။ သေချာစွာ ရီဆိုင်ကယ်လုပ်ရန်အတွက် ဤထုတ်ကုန်ပစ္စည်းကို အလားတူ ပစ္စည်းအသစ်တစ်ခု ဝယ်ယူချိန်တွင် သင့်နှယ်ခံ ပစ္စည်းရောင်းချသူထံ ပြန်ပေးပါ။ သို့မဟုတ် သတ်မှတ်ထားသည့် ပစ္စည်းစုဆောင်းသော နေရာများ၌ စွန့်ပစ်ပါ။ နောက်ထပ် အချက်အလက်များအတွက် ကြည့်ရှုရန်- [www.recyclethis.info](http://www.recyclethis.info)



2006/66/EC နှင့် 2013/56/EU (ဘက်ထရီ လမ်းညွှန်ချက်)- ဤထုတ်ကုန်ပစ္စည်းတွင် ဥရောပသမဂ္ဂအတွင်း ရောနှော စည်ပင်အမှိုက်အနေဖြင့် စွန့်ပစ်နိုင်ခြင်း မရှိသည့် ဘက်ထရီ တစ်လုံး ပါဝင်နေပါသည်။ ဘက်ထရီအတွက် သီးသန့်အချက် အလက်များကို ထုတ်ကုန်ပစ္စည်းပါ စာရွက်စာတမ်းများ၌ ကြည့်ပါ။ ဤဘက်ထရီကို ကတ်ဒီယမ် (Cd)၊ ခဲ (Pb) သို့မဟုတ် ပြဒါး (Hg) ဟု ညွှန်ပြမည့် စွန့်ပစ်ခြင်းပါဝင်နိုင်ကြောင်း ဤသင်္ကေတဖြင့် မှတ်သားထားပါသည်။ သေချာစွာ

ရီဆိုင်ကယ်လုပ်ရန်အတွက် ဤဘက်ထရီကို သင့်နယ်ဒ် ပစ္စည်း ရောင်းချသူထံ ပြန်ပေးပါ သို့မဟုတ် သတ်မှတ်ထားသည့် ပုဆောင်းသော နေရာ၌ စွန့်ပစ်ပါ။ နောက်ထပ် အချက်အလက်များအတွက် ကြည့်ရှုရန်- [www.recyclethis.info](http://www.recyclethis.info).

**ဘေးကင်းလုံခြုံရေးဆိုင်ရာ ညွှန်ကြားချက်**

**⚠ သတိပေးချက်များ**

**ဥပဒေများနှင့် လုပ်ထုံးလုပ်နည်းများ**

ကီရီယာကို ဒေသဆိုင်ရာ ဥပဒေများ၊ လျှပ်စစ်ပစ္စည်း ဘေးကင်းလုံခြုံမှု စည်းမျဉ်းစည်းကမ်းများ နှင့် မီးဘေး ကာကွယ်ရေး စည်းမျဉ်းစည်းကမ်းများနှင့် အညီ သုံးစွဲရမည်။

**လျှပ်စစ်အန္တရာယ် ဘေးကင်းရေး**

သတိပြုရန်- မီးလောင်ကျွမ်းမှု အန္တရာယ်ကို လျော့ချရန်အတွက် အမျိုးအစားနှင့် အဆင့်အတန်း တူညီသည့် ဖျူစီဖြင့်သာ လဲလှယ်ပေးရမည်။ ဤကီရီယာကို ပြန်စခြင်းအန္တရာယ်မှကင်းဝေးစေရန် UPS နှင့်အတူ တပ်ဆင်အသုံးပြုရမည်။

**ဘက်ထရီ**

ဤကီရီယာကို ကလေးများရှိနိုင်သည့် နေရာမျိုးတွင် အသုံးပြုရန် မသင့်လျော်ပါ။  
သတိပြုရန်- မှန်ကန်မှုမရှိသော ဘက်ထရီအမျိုးအစားဖြင့် လဲမိပါက ပေါက်ကွဲမှုဖြစ်နိုင်ပါသည်။  
ဘက်ထရီကို ပုံစံမမှန်ဘဲ မှားယွင်းသော အမျိုးအစားတစ်ခုဖြင့် အသစ်လဲခဲ့ပါက safeguard ပျက်စီးနိုင်သည် (ဥပမာအားဖြင့် အချို့သော လစ်သီယမ် ဘက်ထရီအမျိုးအစားများတွင်)။  
ဘက်ထရီကို ပေါက်ကွဲမှု ဖြစ်ပေါ်စေနိုင်သည့် မီးအတွင်းသို့၊ သို့မဟုတ် မီးဖိုအတွင်းအတွင်း၊ သို့မဟုတ် စက်ပစ္စည်းသုံး ထုခြေခြင်း၊ သို့မဟုတ် ဖြတ်တောက်ခြင်း ဖြင့် မစွန့်ပစ်ပါနှင့်။  
ဘက်ထရီကို အလွန်အမင်း မြင့်မားသည့် အပူချိန်ရှိသည့် ပတ်ဝန်းကျင်တွင် မထားပါနှင့်၊ ပေါက်ကွဲမှု ဖြစ်နိုင်သည့် သို့မဟုတ် မီးလောင်လွယ်သည့် အရည် သို့မဟုတ် ဓာတ်ငွေ့များ ထွက်လာနိုင်ပါသည်။  
ဤဘက်ထရီကို အလွန်နိမ့်သည့် လေဖိအားနှင့် ထိတွေ့ခြင်း မရှိစေရ၊ ပေါက်ကွဲမှု ဖြစ်နိုင်သည့် သို့မဟုတ် မီးလောင်လွယ်သည့် အရည် သို့မဟုတ် ဓာတ်ငွေ့များ ထွက်လာနိုင်ပါသည်။

အသုံးပြုပြီး ဘက်ထရီများကို လမ်းညွှန်ချက်များနှင့်အညီ စွန့်ပစ်ပါ။

**⚠ သတိပြုရန်**

**မီးဘေး ကာကွယ်တားဆီးရေး**

မီးထွန်းထားသည့် ဖယောင်းတိုင်များ ကဲ့သို့သော အကာအကွယ်မရှိသည့် မီးအရင်းအမြစ်များကို ကီရီယာအပေါ်တွင် မထားရပါ။

ကီရီယာ၏ စီရီယယ် ဆက်သွယ်မှု သည် အမှားပြင်ရန်အတွက်သာ အသုံးပြုသည်။

**ပူနေသော မျက်နှာပြင်**



သတိပြုရန်- ပူသော အစိတ်အပိုင်းများ ကိုင်တွယ်စဉ် လက်ချောင်းများ

အပူလောင်စေနိုင်ပါသည်။

ဤကပ်ခွာသည် ပူနိုင်သော ပစ္စည်းကို သတ်မှတ်ပြထားပြီး သတိမထားပဲ မကိုင်တွယ်ရပါ။ အစိတ်အပိုင်းများကို ကိုင်တွယ်ခြင်းမပြုမီ ခလုတ်ကို ပိတ်ပြီး နာရီပတ် စောင့်ပါ။

ဤစတစ်ကာပါသည့် ကီရီယာကို ဝင်ရောက်မှု ကန့်သတ်ထားသော နေရာတွင် ထားရှိရပါမည်။ ကန့်သတ်နေရာဟု သတ်မှတ်ထားခြင်း အကြောင်းရင်းများအကြောင်း ညွှန်ကြားချက် ရထားသော နှင့် သတိထားရမည့် ကြိုတင်ကာကွယ်မှုများအကြောင်း ညွှန်ကြားခံထားရသည့် ဝန်ဆောင်မှုပေးသူများ သို့မဟုတ် အသုံးပြုသူများကသာ ထိုနေရာသို့ ဝင်ရောက်နိုင်ပါသည်။

**တပ်ဆင်ခြင်း**

ဤကီရီယာကို ဤလမ်းညွှန်ပါ လမ်းညွှန်ချက်များနှင့်အညီ တပ်ဆင်ပါ။ ထိခိုက်ဒဏ်ရာ ရရှိမှုမှ ကာကွယ်ရန် ဤကီရီယာကို တပ်ဆင်ခြင်း ညွှန်ကြားချက်များနှင့်အညီ မျက်နှာကြက်/နံရံတွင် ခိုင်မြဲစွာ တပ်ဆင်ထားရမည်။ ကီရီယာနှင့် အပိုပစ္စည်းများ တပ်ဆင်ရန် နေရာလုံလောက်မှု ရှိမရှိ စစ်ဆေးပါ။ နံရံသည် ကီရီယာနှင့် စက်အထိုင်အလေးချိန်၏ အနည်းဆုံး 8 ဆကို ခံနိုင်လောက်သည်အထိ တောင့်တင်းနေရမည်။ ကီရီယာအား ဝါယာချိတ်ဆက်စဉ်၊ တပ်ဆင်စဉ် သို့မဟုတ် ပြန်ဖြတ်နေစဉ်တွင် ပါဝါသေချာဖြတ်ထားပါ။



**သယ်ယူပို့ဆောင်ရေး**

ကိရိယာကို သယ်ယူပို့ဆောင်ရာတွင် မူလ သို့မဟုတ် အလားတူ ထုပ်ပိုးမှုအတိုင်း ထားပါ။

ထုတ်ကုန်ပစ္စည်းကို လွတ်မကျပါစေနှင့် သို့မဟုတ် တုန်ခါ၍ ဒဏ်ဖြစ်သွားခြင်း မဖြစ်စေပါနှင့်။

**ပါဝါ ပေးသွင်းမှု**

ပါဝါ ရင်းမြစ်သည် ကန့်သတ်ထားသော ပါဝါ အရင်းအမြစ် သို့မဟုတ် IEC 60950-1 သို့မဟုတ် IEC 62368-1 စံချိန်စံညွှန်းနှင့် အညီ PS2 လိုအပ်ချက်များကို ပြည့်မီရမည်။

စံချိန်စံညွှန်းမီ ပါဝါအဝင်အားအတွက် ကိရိယာအညွှန်းကို ဖတ်ရှုပါ။ သင်၏ ပါဝါအဝင်အားသည် သင့်ကိရိယာနှင့် ကိုက်ညီကြောင်း သေချာပါစေ။

အရည်အချင်းပြည့်မီသော ထုတ်လုပ်သူများက ပံ့ပိုးပေးသည့် ပါဝါအဒက်တာကို အသုံးပြုပါ။ ပါဝါအဒက်တာတွင် ဝန်ပို သုံးစွဲလျှင် အပူလွန်ကဲခြင်း သို့မဟုတ် မီးဘေးအန္တရာယ် ဖြစ်နိုင်သဖြင့် ကိရိယာတစ်ခုစီအတွက် ပါဝါအဒက်တာတစ်ခုစီသာ အသုံးပြုရန် အကြံပြုထားပါသည်။

**စနစ် လုံခြုံရေး**

သင့်အနေဖြင့် ဤကိရိယာနှင့် ပတ်သက်သည့် စကားတိုများနှင့် အခြားလုံခြုံရေး ဆက်တင်များကို ထိန်းသိမ်းသတ်မှတ်ရမည်ဖြစ်ပြီး အသုံးပြုသူအမည်နှင့် စကားတိုတို့ကို မှတ်သားထားရန် တာဝန်ရှိသည်ကို နားလည်ရန်လိုပါသည်။

**ပြုပြင်ထိန်းသိမ်းခြင်း**

ကိရိယာ သေချာအလုပ်မလုပ်ပါက အရောင်းဆိုင် သို့မဟုတ် အနီးဆုံး ကြံ့ခိုင်မှုစစ်ဆေးရေး စင်တာသို့ ဆက်သွယ်ပါ။ ခွင့်ပြုချက်မရှိဘဲ ပြင်ဆင်ခြင်း သို့မဟုတ် ထိန်းသိမ်းခြင်းဆင်ခြင်းကြောင့် ဖြစ်ပွားရသည့် မည်သည့်ပြဿနာအတွက်မဆို လုံးဝတာဝန်ယူမည် မဟုတ်ပါ။

အချို့သော ကိရိယာ အစိတ်အပိုင်းများ (ဥပမာ- အီလက်ထရိုလိုက်တစ် စွမ်းရည်ထိန်း ပစ္စည်း) သည် ပုံမှန် လဲလှယ်မှု လုပ်ရန် လိုအပ်သည်။ ပျမ်းမျှ သက်တမ်း ကွာခြားမှု ရှိသဖြင့် စစ်ဆေးရန် အကြံပြုသည်။ အသေးစိတ်အတွက် သင့်အား ပစ္စည်းရောင်းပေးသူအား ဆက်သွယ်ပါ။

**သန့်ရှင်းခြင်း**

ကျေးဇူးပြု၍ အတွင်းနှင့် အပြင်မျက်နှာပြင်များကို နူးညံ့ခြောက်သွေ့သော အဝတ်ဖြင့်သာ

သန့်ရှင်းရေးလုပ်ပါ။ အယ်ကာလိုင်း ဆပ်ပြာမှုန့်များ မသုံးပါနှင့်။

**အသုံးပြုသည့် ပတ်ဝန်းကျင်**

လေဆာ ကိရိယာ တစ်စုံတစ်ခုကို အသုံးပြုနေပါက ကိရိယာ၏ မှန်ဘီလူးများ လေဆာရောင်ခြည် မထိမိစေရန် သတိပြုပါ သို့မဟုတ်ပါက လောင်ကျွမ်းသွားနိုင်သည်။

မှန်ဘီလူးများကို နေ သို့မဟုတ် တောက်ပသော အလင်းရောင်ရှိရာသို့ မချိန်ပါနှင့်။

အပူစွဲဆောင်းမှုမှ ရှောင်ရှားနိုင်ရန်အတွက် အသုံးပြုသည့် ပတ်ဝန်းကျင် သင့်လျော်ကောင်းမွန်စေရန် လေဝင်လေထွက်ကောင်းရန် လိုအပ်ပါသည်။

ကိရိယာကို ပူလွန်း၊ အေးလွန်းသော၊ ဖုန်ထူသော၊ လိုက်စားနိုင်သော၊ ဆားပါသည့် အယ်ကာလီ သတ္တိလွန်ကဲသော သို့မဟုတ် စိုထိုင်းသော ပတ်ဝန်းကျင်များနှင့် မထိတွေ့မိပါစေနှင့်။

အပြင်ဘက်သုံးစက်များအတွက် အလုပ်လုပ်ဆောင်သည့် အပူချိန်သည် -30°C မှ 65°C (-22°F မှ 149°F) ဖြစ်ပြီး အလုပ်လုပ်ဆောင်သည့် စိုထိုင်းဆသည့် 90%.ထက်နည်းရမည်။ အပြင်ဘက်သုံးစက်များအတွက် အလုပ်လုပ်ဆောင်သည့် အပူချိန်သည် -10°C မှ 50°C (-14°F မှ 122°F) ဖြစ်ပြီး အလုပ်လုပ်ဆောင်သည့် စိုထိုင်းဆသည့် 90%.ထက်နည်းရမည်။ စက်ကို လျှပ်စစ်သံလိုက်အားမြင့်သည့် ဓာတ်ရောင်ခြည်နှင့် မထိတွေ့မိပါစေနှင့်။

**ရောင်ပြန်**

ကိရိယာ မှန်ဘီလူးနှင့် နီးကပ်လွန်းသော နေရာတွင် အလင်းပြန်မျက်နှာပြင် မရှိပါစေနှင့်။ ကိရိယာမူလာသော အလင်းသည် မှန်ဘီလူးဆီသို့ ရောင်ပြန်ဟပ်ကာ အလင်းပြန်ခြင်း ဖြစ်စေနိုင်သည်။

200 မီလီမီတာ အကွာအဝေးရှိ အလင်းရောင်တန်းကို အန္တရာယ်ရှိအုပ်စု 1 (RG1) အဖြစ် အမျိုးအစားသတ်မှတ်ပါသည်။ ဘေးကင်းရန်အတွက် စက်နှင့် အနည်းဆုံး 1350 မီလီမီတာခန့် ကွာဝေးရမည်ဖြစ်သည်။

ဤထုတ်ကုန်ပစ္စည်းမှ ထုတ်လွှတ်သော ရောင်ခြည်သည် အမြင်အာရုံအတွက် အန္တရာယ်ရှိနိုင်ပါသည်။ ဤပစ္စည်းမှ IR ထုတ်လွှတ်သည်။ လုပ်ငန်းလုပ်ဆောင်နေသော မီးအရင်းအမြစ်ကို စိုက်မကြည့်ပါနှင့်။ မျက်စီများကို ထိခိုက်နိုင်သည်။

သင့်လျော်သော အကာအရံများ သို့မဟုတ် မျက်လုံးအကာအကွယ်များ မရရှိနိုင်ပါက၊ လုံခြုံသောအကာအဝေး သို့မဟုတ် အလင်းရောင်နှင့် တိုက်ရိုက်မထိတွေ့နိုင်သော ဧရိယာတွင်သာ မီးကုန်ဖွင့်ပါ။ စက်ကို ပေါင်းစပ်ခြင်း၊ တပ်ဆင်ခြင်း သို့မဟုတ် ထိန်းသိမ်းခြင်း ပြုလုပ်သည့်အခါ မီးမဖွင့်ပါနှင့်။ သို့မဟုတ် မျက်လုံးအကာအကွယ်ကို ဝတ်ဆင်ပါ။


**အရေးပေါ်**

ကိရိယာမှ မီးခိုးငွေ့၊ ညှော်နံ့စသည့် အနံ့၊ ဆူညံသံများ ထွက်လာလျှင် ပါဝါ ချက်ချင်းပိတ်၊ ပါဝါကေဘယ် ဖြုတ်ပြီး ပြုပြင်ရေးစစ်တာသို့ ဆက်သွယ်ပါ။

**အချိန် ညှိခြင်း**

ဒေသစံတော်ချိန်သည် ကွန်ရက်နှင့် ချိန်ညှိထားခြင်း မရှိပါက ပထမဆုံးအကြိမ်တွင် ကိရိယာ၏ အချိန်ကို ကိုယ်တိုင်ထည့်သွင်းပါ။ ဝက်ဘ်ဘရောက်ဇာ/သုံးစွဲသူ ဆော့ဖ်ဝဲမှတစ်ဆင့် စက်တွင် ဝင်ရောက်ပြီး အချိန်ဆက်တင်ညှိသည့် စနစ်သို့ သွားပါ။

**Türkçe**

 Ürün görünümü sadece referans içindir ve gerçek ürün farklı olabilir.

©2023 Hangzhou Hikvision Digital Technology Co., Ltd. Tüm hakları saklıdır.

**Bu Kılavuz hakkında**

Kılavuz, Ürünün kullanımını ve yönetimi ile ilgili talimatları içerir. Resimler, çizelgeler, görüntüler ve buradaki diğer tüm bilgiler, yalnızca tanımlama ve açıklama amaçlıdır. Kılavuzda bulunan bilgiler, yazılım güncellemeleri veya başka nedenlerden dolayı önceden haber verilmeksizin değiştirilebilir. Bu Kılavuzun en son sürümünü Hikvision web sitesinde (<https://www.hikvision.com/>) bulabilirsiniz.

Lütfen bu Kılavuzu, Ürünü destekleme konusunda eğitilmiş profesyonellerin rehberliği ve yardımı ile kullanın.

**Ticari Markalar**

**HIKVISION**, ve diğer Hikvision ticari markaları ve logoları Hikvision'ın çeşitli yargı mercilerindeki mülkleridir.

Bahsedilen diğer ticari markalar ve logolar ilgili sahiplerinin mülkiyetindedir.

**YASAL UYARI**

YÜRÜRLÜKTEKİ YASALARIN İZİN VERDİĞİ AZAMI ÖLÇÜDE, BU KILAVUZ VE AÇIKLANAN ÜRÜN, DONANIMI, YAZILIMI VE ÜRÜN YAZILIMI İLE "OLDUĞU GİBİ" VE "TÜM ARIZALAR VE HATALAR İLE" SAĞLANIR. HIKVISION, TİCARETE ELVERİŞLİLİK, TATMİN EDİCİ KALİTE VEYA BELİRLİ BİR AMACA UYGUNLUK DA DAHİL ANCAK BUNLARLA SINIRLI OLMAMAK ÜZERE AÇIK VEYA ZİMNİ HİÇBİR GARANTİ VERMEZ. ÜRÜNÜN SİZİN TARAFINIZDAN KULLANIMI KENDİ SORUMLULUĞUNUZDADIR. HIKVISION HİÇBİR DURUMDA, BU ÜRÜNÜN KULLANIMI İLE BAĞLANTILI OLARAK, HIKVISION BU TÜR HASARLARIN OLASILIĞI HAKKINDA BİLGİLENDİRİLMİŞ OLSA BİLE, İŞ

KARLARININ KAYBI, İŞ KESİNTİSİ, VERİ KAYBI, SİSTEM KESİNTİSİ, BELGE KAYBI, SÖZLEŞMENİN İHLALI (İHMAL DAHİL), ÜRÜN SORUMLULUĞU GİBİ ZARARLAR DA DAHİL OLMAK ÜZERE, ÖZEL, SONUÇSAL, TESADÜFİ VEYA DOLAYLI ZARARLAR İÇİN SİZE KARŞI SORUMLU OLMAYACAKTIR.

İNTERNETİN DOĞASININ DOĞAL GÜVENLİK RİSKLERİ BARINDIRDIĞINI KABUL EDİYORSUNUZ VE HIKVISION, SİBER SALDIRI, HACKER SALDIRISI, VİRÜS BULAŞMASI VEYA DİĞER İNTERNET GÜVENLİK RİSKLERİNİN KAYNAKLANAN ANORMAL KULLANIMI, GİZLİLİK SIZINTISI VEYA DİĞER ZARARLAR İÇİN HERHANGİ BİR SORUMLULUK KABUL ETMEZ; ANCAK, HIKVISION GEREKİRSE ZAMANINDA TEKNİK DESTEK SAĞLAYACAKTIR.


BU ÜRÜNÜ GEÇERLİ TÜM YASALARA UYGUN OLARAK KULLANMAYI KABUL EDİYORSUNUZ VE KULLANIMINIZIN GEÇERLİ YASALARA UYGUN OLMASINI SAĞLAMAKTAN YALNIZCA SİZ SORUMLUSUNUZ. ÖZELİLE, BU ÜRÜNÜ, SINIRLAMA OLMAKSIZIN, TANITIM HAKLARI, FİKRİ MÜLKİYET HAKLARI VEYA VERİ KORUMA VE DİĞER GİZLİLİK HAKLARI DA DAHİL OLMAK ÜZERE ÜÇÜNCÜ TARAFLARIN HAKLARINI İHLAL ETMEYECEK ŞEKİLDE KULLANMAKTAN SİZ SORUMLUSUNUZ. BU ÜRÜNÜ, KİTLE İMHA SİLAHLARININ GELİŞTİRİLMESİ VEYA ÜRETİMİ, KİMYASAL VEYA BİYOLOJİK SİLAHLARIN GELİŞTİRİLMESİ VEYA ÜRETİMİ, HERHANGİ BİR NÜKLEER PATLAYICI VEYA GÜVENLİ OLMAYAN NÜKLEER YAKIT DÖNGÜSÜ İLE İLGİLİ HERHANGİ BİR FAALİYETTE VEYA İNSAN HAKLARI İHLALLERİNİ DESTEKLEMELİK DE DAHİL YASAĞANMISIN SON KULLANIMLAR İÇİN KULLANAMAZSINIZ.

BU KILAVUZ İLE GEÇERLİ YASA ARASINDA HERHANGİ BİR ÇELİŞKİ OLMASI DURUMUNDA, İKİNCİSİ GEÇERLİDİR.

**Mevzuat Bilgisi**

**Bu maddeler, yalnızca ilgili işarete veya bilgiye sahip ürünler için geçerlidir.**

**AB Uygunluk Beyanı**

 Bu ürün ve (varsa) birlikte verilen aksesuarlar ayrıca "CE" ile işaretlenmiştir ve bu nedenle 2014/30/EU (EMCD) Direktifi, 2014/35/EU (LVD) Direktifi ve 2011/65/EU (RoHS) Direktifi altında listelenen geçerli uyumlaştırılmış Avrupa standartlarına uygundur.

İşbu belgeyle, Hangzhou Hikvision Digital Technology Co., Ltd. bu cihazın 2014/53/EU Direktifi ile uyumlu olduğunu beyan eder (etikete bakın). AB uygunluk beyanının tam metnine aşağıdaki internet adresinden ulaşılabilir: <https://www.hikvision.com/europe/support/download/declaration-of-conformity/>.

Berberinde güç adaptörü verilmeyen cihaz için, kalifiye bir üretici tarafından sağlanan güç adaptörünü kullanın. Ayrıntılı güç gereksinimleri için ürün özelliklerine bakın.

Ürünle birlikte verilen pili olmayan cihaz için nitelikli bir üretici tarafından sağlanan pili kullanın. Ayrıntılı pil gereksinimleri için ürün özelliklerine bakın.

**Frekans Bantları ve Güç (CE için)**



Aşağıdaki radyo ekipmanı için geçerli olan frekans bantları ve iletim gücü (yayılan ve/veya iletilen) nominal sınırları aşağıdaki gibidir:

## TELSİZ FREKANSINA (RF) MARUZİYET

Aşağıdaki cihaz modeli için geçerlidir:

DS-2DE\*4G\*

Bu telsiz cihazı için geçerli olan frekans bantları ve modları ve iletilen gücün (yayılan ve/veya iletilen) nominal sınırları aşağıdaki gibidir:

Wi-Fi 2,4 GHz (2,4 GHz – 2,4835 GHz)	20 dBm
GSM850: 824 – 849 MHz	32,5±1 dBm
GSM900: 880 – 915 MHz	32,5±1 dBm
DCS1800: 1710 – 1785 MHz	29,5±1 dBm
WCDMA Bant I: 1920 – 1980 MHz	23,5±1 dBm
WCDMA Bant V: 824 – 849 MHz	23,5±1 dBm
WCDMA Bant VIII: 880 – 915 MHz	23,5±1 dBm
LTE Bant 1: 1920 – 1980 MHz	23±1 dBm
LTE Bant 3: 1710 – 1785 MHz	23±1 dBm
LTE Bant 5: 824 – 849 MHz	23±1 dBm
LTE Bant 7: 2500 – 2570 MHz	23±1 dBm
LTE Bant 8: 880 – 915 MHz	23±1 dBm
LTE Bant 20: 832 – 862 MHz	23±1 dBm
LTE Bant 28: 703 – 748 MHz	23±1 dBm
LTE Bant 38: 2570 – 2620 MHz	23±1 dBm
LTE Bant 40: 2300 – 2400 MHz	23±1 dBm
LTE Bant 41: 2555 – 2655 MHz	23±1 dBm

Not: Bazı modellerin yalnızca belirli Wi-Fi kanallarında çalışması desteklenir. Ayrıntılar için veri sayfasına bakın.



2012/19/EU (WEEE direktifi): Bu simgeyle işaretlenen ürünler, Avrupa Birliği'nde ayrıştırılmamış belediye atığı olarak yok edilemez. Doğru geri dönüşüm için, eşdeğer yeni ekipman satın aldıktan sonra bu ürünü yerel tedarikçinize iade edin veya belirtilen toplama noktalarında imha edin. Daha fazla bilgi için bkz: [www.recyclethis.info](http://www.recyclethis.info)



2006/66/EC ve değişiklik 2013/56/EU (batarya direktifi): Bu ürün, Avrupa Birliği'nde ayrıştırılmamış belediye atığı olarak imha edilemeyen bir pil içermektedir.

Pile özel bilgi edinmek için ürün belgelerine bakın. Pil, kadmiyum (Cd), kurşun (Pb) veya cıva (Hg) elementlerini gösteren harflerin de yer alabildiği bu sembole işaretlenmiştir. Doğru geri dönüşüm için pil tedarikçinize veya belirlenmiş bir toplama noktasına iade edin. Daha fazla bilgi için bkz: [www.recyclethis.info](http://www.recyclethis.info).

## Güvenlik Talimatı



### Uyarılar

### Yasalar ve Yönetmelikler

Cihaz yerel yasalara, elektrik güvenliği yönetmeliklerine ve yangın önleme yönetmeliklerine uygun şekilde kullanılmalıdır.

## Elektrik Güvenliği

**DIKKAT:** Yangın riskini azaltmak için, sadece aynı tip ve değerde sigorta ile değiştirin.

Bu ekipman, yeniden başlama riskini önlemek için UPS ile kurulmalıdır.

### Pil

Bu ekipman çocukların olma ihtimalinin bulunduğu yerlerde kullanım için uygun değildir.

**DIKKAT:** Pil yanlış bir türle değiştirildiğinde patlama riski.

Pilin yanlış türde bir pille uygun olmayan şekilde değiştirilmesi korumayı geçersiz hale getirebilir (örneğin, bazı lityum pil türleri).

Pili ateşe veya sıcak fırına atmayın veya pili mekanik olarak patlayabilecek şekilde ezmeyin veya kesmeyin.

Pili, patlamaya veya yanıcı sıvı veya gaz sızıntısına neden olabilecek aşırı yüksek sıcaklıktaki bir ortamda bırakmayın.

Pili, patlamaya veya yanıcı sıvı veya gaz sızıntısına neden olabilecek aşırı düşük hava basıncına maruz bırakmayın.

Bitmiş pilleri yönetmeliklere göre atın.



### DiKKat

### Yangın Önleme

Ekipmanın üzerine yanan mum gibi açık alev kaynakları konulmamalıdır.

Ekipmanın seri portu sadece hata ayıklama için kullanılır.

### Sıcak Yüzey



**DIKKAT:** Sıcak parçalar! Parçaları tuttuğunuzda parmaklarınız yanabilir.

Bu çıkartma, işaretli parçanın sıcak olabileceğini ve parçaya dikkat edilmeden dokunulmaması gerektiğini belirtmektedir. Kapatıldıktan sonra parçaları tutmadan önce bir buçuk saat bekleyin.

Bu çıkartmaya sahip cihaz, sınırlı bir erişim konumuna kurulum için tasarlanmıştır. Sadece servis personeli veya konuma uygulanan kısıtlamaların nedenleri ve alınması gereken önlemler hakkında bilgilendirilmiş kullanıcılar tarafından erişim sağlanabilir.

### Montaj

Ekipmanı bu kılavuzdaki talimatlara göre kurun. Yararlanılabilir önlemek için bu ekipman kurulum talimatlarına göre tavana/duvara güvenli bir şekilde takılmalıdır.

Cihazı ve aksesuarları kurmak için yeterli alan olduğundan emin olun.

Duvarın, cihaz ve montaj ağırlığının 8 katına dayanacak kadar güçlü olduğundan emin olun.

Cihazı bağlamadan, kurmadan veya sökmekten önce gücün kesildiğinden emin olun.

### Ulaşım

Cihazı taşırcın orijinal ambalajının veya benzer bir ambalajın içerisine koyun.

Ürünü düşürmeyin veya fiziksel darbeye maruz bırakmayın.

### Güç Kaynağı

Güç kaynağı, IEC 60950-1 veya IEC 62368-1 standardına göre sınırlı güç kaynağı veya PS2

gereksinimlerini karşılmalıdır.

Standart güç kaynağı için cihaz etiketine bakın. Lütfen güç kaynağınızın cihazınızla eşleştiğinden emin olun.

Yetkili üreticiler tarafından sağlanan bir güç adaptörü kullanın. Adaptör aşırı yüklenmesi aşırı ısınmaya veya yangın tehlikesine neden olabileceğinden, her cihaz için bağımsız bir güç adaptörü sağlanması önerilir.

## Sistem Güvenliği

Tüm parolarının ve cihazla ilgili diğer güvenlik ayarlarının yapılandırılması ve kullanıcı adı ile parolasının korunması sorumluluğunun size ait olduğunu lütfen unutmayın.

## Bakım

Ürün düzgün şekilde çalışmıyorsa lütfen bayiinize veya en yakın servis merkeziyle iletişime geçin. Yetkisiz onarım veya bakımдан kaynaklanan sorunlar için herhangi bir sorumluluk kabul etmeyiz.

Cihazın birkaç parçası (ör. Elektrolitik kapasitör) düzenli olarak değiştirilmelidir. Ortalama parça ömrü değişiklik göstermektedir bu nedenle periyodik kontrol önerilmektedir. Ayrıntılar için satıcınızla iletişime geçin.

## Temizleme

İç ve dış yüzeyleri temizlemek için lütfen yumuşak ve kuru bir bez kullanın. Alkali deterjanlar kullanmayın.

## Kullanma Ortamı

Herhangi bir lazer ekipmanı kullanılırken cihaz merceğinin, lazer ışınına maruz kalmadığından emin olun aksi takdirde yanabilir.

Lensi, güneşe veya herhangi bir parlak ışığa doğru tutmayın.

Isı birikimini önlemek için düzgün bir çalışma ortamında iyi bir havalandırma gerekmektedir.

Cihazı aşırı sıcak, soğuk, tozlu, aşındırıcı, tuzlu-alkali veya rutubetli ortamlara maruz bırakmayın.

Diş mekan cihazları için çalışma sıcaklığı -30°C ila 65°C (-22°F ila 149°F) ve çalışma nemi %90'dan düşük olmalıdır. İç mekan cihazları için çalışma sıcaklığı -10°C ila 50°C (-14°F ila 122°F) ve çalışma nemi %90'dan düşük olmalıdır.

Cihazı yüksek elektromanyetik radyasyona MARUZ BIRAKMAYIN.

## Aydınlatıcı

Cihazın lensine çok yakın bir yansıtıcı yüzey olmadığından emin olun. Cihazdan gelen ışık, lensin içine geri yansiyabilir ve bu durum görüntüde yansımaya neden olur.

200 mm mesafedeki için Risk Grubu 1 (RG1) olarak sınıflandırılır. Minimum güvenli mesafe cihazdan yaklaşık 1350 mm uzaklıktadır.

Bu üründen olası tehlikeli ışın ısınım yayılabilir. Bu üründen kızılötesi yayılabilir. Yanan ışık kaynağına doğrudan BAKMAYIN. Gözleriniz için zararlı olabilir.

Uygun perdeleme veya göz koruması yoksa ışığı sadece güvenli bir mesafede veya ışığa doğrudan maruz kalmayan alanda açın.

Cihazı monte ederken, kurarken veya bakımını yaparken ışığı AÇMAYIN ya da göz koruması takın.

## Acil Durum

Cihazdan duman, koku veya ses geliyorsa hemen gücü kapatarak güç kablosunun bağlantısını kesin ve servis merkeziyle iletişime geçin.

## Saat Senkronizasyonu

Yerel saat, ağın saatiyle senkronize değilse cihaz saatini ilk kez erişimden manuel olarak ayarlayın. Web arayıcı/İstemci yazılımı ile cihazı giderek zaman ayarları arayüzüne girin.

Русский



Внешний вид изделия зависит от конкретной модели. Рисунки приведены только для справки.

©2023 Hangzhou Hikvision Digital Technology Co., Ltd. Все права защищены.

## О данном Руководстве

В Руководстве содержатся инструкции по эксплуатации Изделия. Фотографии, схемы, иллюстрации и прочие материалы приведены исключительно в качестве описаний и пояснений. Информация, приведенная в Руководстве, может быть изменена без предварительного уведомления в связи с обновлением микропрограммы или по другим причинам. Используйте последнюю редакцию Руководства. Ее можно найти на веб-сайте компании Hikvision (<https://www.hikvision.com/>).

Используйте Руководство под наблюдением специалистов, обученных обслуживанию Изделия.

## Торговые марки

**HIKVISION**

и все другие товарные знаки и логотипы Hikvision являются собственностью компании Hikvision в различных юрисдикциях.

Другие товарные знаки и логотипы, упоминаемые в Руководстве, являются собственностью соответствующих владельцев.

## ОГРАНИЧЕНИЕ ОТВЕТСТВЕННОСТИ

В МАКСИМАЛЬНОЙ СТЕПЕНИ, РАЗРЕШЕННОЙ ДЕЙСТВУЮЩИМ ЗАКОНОДАТЕЛЬСТВОМ, ДАННОЕ РУКОВОДСТВО И ОПИСАНИЕ ИЗДЕЛИЯ ВМЕСТЕ С АППАРАТНОЙ ЧАСТЬЮ, ПРОГРАММНЫМ ОБЕСПЕЧЕНИЕМ И ВСТРОЕННОЙ МИКРОПРОГРАММОЙ ПРЕДОСТАВЛЯЕТСЯ ПО ПРИНЦИПУ «КАК ЕСТЬ» И «СО ВСЕМИ НЕПОЛАДКАМИ И ОШИБКАМИ». КОМПАНИЯ HIKVISION НЕ ДАЕТ НИ ЯВНЫХ, НИ ПОДРАЗУМЕВАЕМЫХ ГАРАНТИЙ, В ТОМ ЧИСЛЕ ГАРАНТИЙ ТОВАРНОЙ ПРИГОДНОСТИ И УДОВОЛВИТЕЛЬНОГО КАЧЕСТВА, КАК И ПРИГОДНОСТИ ДЛЯ КОНКРЕТНЫХ ЦЕЛЕЙ. ПОТРЕБИТЕЛЬ ИСПОЛЬЗУЕТ ИЗДЕЛИЕ НА СВОЙ СТРАХ И РИСК. НИ ПРИ КАКИХ ОБСТОЯТЕЛЬСТВАХ КОМПАНИЯ HIKVISION НЕ НЕСЕТ ОТВЕТСТВЕННОСТИ ПЕРЕД ПОТРЕБИТЕЛЕМ НИ ЗА ФАКТИЧЕСКИ ПОНЕСЕННЫЙ, НИ ЗА ПОСЛЕДУЮЩИЙ, КАК ПРЯМОЙ, ТАК И КОСВЕННЫЙ, УЩЕРБ, ВКЛЮЧАЯ УБЫТКИ В ВИДЕ УПУЩЕННОЙ ПРИБЫЛИ, ПЕРЕРЫВОВ В ДЕЯТЕЛЬНОСТИ, ПОТЕРИ ДАННЫХ, ДОКУМЕНТАЦИИ ИЛИ ПОВРЕЖДЕНИЯ СИСТЕМ, БУДУ ТО ПО ПРИЧИНЕ НАРУШЕНИЯ ДОГОВОРА, ПРОТИВОПРАВНЫХ ДЕЙСТВИЙ (В ТОМ ЧИСЛЕ ХАЛАТНОСТИ), НАСТУПЛЕНИЯ ОТВЕТСТВЕННОСТИ ЗА ИЗДЕЛИЕ ИЛИ ИНЫХ ОБСТОЯТЕЛЬСТВ В СВЯЗИ С ИСПОЛЬЗОВАНИЕМ ДАННОГО ИЗДЕЛИЯ, ДАЖЕ ЕСЛИ КОМПАНИЯ HIKVISION БЫЛО ИЗВЕСТНО О ВОЗМОЖНОСТИ ТАКОГО УЩЕРБА И УБЫТКОВ.

ПОТРЕБИТЕЛЬ ОСОЗНАЕТ, ЧТО ИНТЕРНЕТ ПО СВОЕЙ ПРИРОДЕ ЯВЛЯЕТСЯ ИСТОЧНИКОМ ПОВЫШЕННОГО РИСКА БЕЗОПАСНОСТИ И КОМПАНИЯ HIKVISION НЕ НЕСЕТ ОТВЕТСТВЕННОСТИ ЗА СБОИ В РАБОТЕ ОБОРУДОВАНИЯ, УТЕЧКУ ИНФОРМАЦИИ И ДРУГОЙ УЩЕРБ, ВЫЗВАННЫЙ КИБЕРАТАКАМИ, ХАКЕРАМИ, ВИРУСАМИ ИЛИ СЕТЕВЫМИ УГРОЗАМИ; ОДНАКО HIKVISION ОБЕСПЕЧИВАЕТ СВОЕВРЕМЕННУЮ ТЕХНИЧЕСКУЮ ПОДДЕРЖКУ, ЕСЛИ ЭТО НЕОБХОДИМО.

ПОТРЕБИТЕЛЬ СОГЛАШАЕТСЯ ИСПОЛЬЗОВАТЬ ДАННОЕ ИЗДЕЛИЕ В СООТВЕТСТВИИ СО ВСЕМИ ПРИМЕНИМЫМИ ЗАКОНАМИ И НЕСЕТ ЛИЧНУЮ ОТВЕТСТВЕННОСТЬ ЗА ИХ СОБЛЮДЕНИЕ. ПРИ ИСПОЛЬЗОВАНИИ ИЗДЕЛИЯ ПОТРЕБИТЕЛЬ НЕСЕТ ОТВЕТСТВЕННОСТЬ ЗА СОБЛЮДЕНИЕ ПРАВ ТРЕТЬИХ СТОРОН, В ТОМ ЧИСЛЕ ПРАВ НА ПУБЛИЧНОСТЬ, ИНТЕЛЛЕКТУАЛЬНУЮ СОБСТВЕННОСТЬ, ЗАЩИТУ ДАННЫХ И ИНЫХ ПРАВ НА НЕПРИКОСНОВЕННОСТЬ ЧАСТНОЙ ЖИЗНИ. ПОТРЕБИТЕЛЬ ОБЯЗУЕТСЯ НЕ ИСПОЛЬЗОВАТЬ ЭТО ИЗДЕЛИЕ В ЗАПРЕЩЕННЫХ ЦЕЛЯХ, В ТОМ ЧИСЛЕ ДЛЯ РАЗРАБОТКИ ИЛИ ПРОИЗВОДСТВА ОРУЖИЯ МАССОВОГО УНИЧТОЖЕНИЯ, ХИМИЧЕСКОГО ИЛИ БИОЛОГИЧЕСКОГО ОРУЖИЯ, ОСУЩЕСТВЛЕНИЯ КАКОЙ-ЛИБО ДЕЯТЕЛЬНОСТИ В КОНТЕКСТЕ ЯДЕРНОГО ОРУЖИЯ, НЕБЕЗОПАСНЫХ ОПЕРАЦИЙ С ЯДЕРНЫМ ТОПЛИВОМ ИЛИ ДЛЯ ПОДДЕРЖКИ НАРУШЕНИЙ ПРАВ ЧЕЛОВЕКА.

В СЛУЧАЕ РАЗНОЧИЙ МЕЖДУ НАСТОЯЩИМ РУКОВОДСТВОМ И ДЕЙСТВУЮЩИМ ЗАКОНОДАТЕЛЬСТВОМ, ПОСЛЕДНЕЕ ИМЕЕТ ПРИОРИТЕТ.

## Нормативная информация

**Данные положения применяются только в том случае, если изделие снабжено соответствующей отметкой или информацией.**

## Декларация соответствия EU



Настоящее изделие и аксессуары, входящие в комплект его поставки, отмечены символом «CE», который обозначает их соответствие согласованным Европейским стандартам, перечисленным в Директивах 2014/30/EU (EMCD), 2014/35/EU (LVD) и 2011/65/EU (RoHS).

Настоящая компания Hangzhou Hikvision Digital Technology Co., Ltd. заявляет, что данное изделие (см. этикетку) соответствует Директиве 2014/53/EU. Полный текст декларации о соответствии нормативным требованиям ЕС доступен по следующей ссылке: <https://www.hikvision.com/europe/support/download/declaration-of-conformity/>.

Если устройство не укомплектовано адаптером питания, используйте адаптер питания разрешенного изготовителя. Требования по электропитанию подробно описаны в технических характеристиках изделия.

Если устройство не укомплектовано батареей, используйте батарею разрешенного изготовителя. Требования к батарее подробно описаны в технических характеристиках изделия.

## Частотные диапазоны и мощность (для CE)

Ниже приведены частотные диапазоны и номинальные пределы мощности передачи (излучаемой и/или проводимой) для следующего радиооборудования:

### ЭЛЕКТРОМАГНИТНОЕ ВЧ-ИЗЛУЧЕНИЕ

Действует в отношении следующих моделей устройств:

DS-2DE\*4G\*

Настоящее радиооборудование имеет следующие частотные диапазоны, режимы и номинальные пределы излучаемой мощности (электромагнитной и/или кондуктивной):

Wi-Fi 2,4 ГГц (2,4 ГГц–2,4835 ГГц)	20 дБм
GSM850: 824–849 МГц	32,5±1 дБм
GSM900: 880–915 МГц	32,5±1 дБм
DCS1800: 1710–1785 МГц	29,5±1 дБм
Диапазон WCDMA I: 1920–1980 МГц	23,5±1 дБм
Диапазон WCDMA V: 824–849 МГц	23,5±1 дБм
Диапазон WCDMA VIII: 880–915 МГц	23,5±1 дБм
Диапазон LTE 1: 1920–1980 МГц	23±1 дБм
Диапазон LTE 3: 1710–1785 МГц	23±1 дБм
Диапазон LTE 5: 824–849 МГц	23±1 дБм
Диапазон LTE 7: 2500–2570 МГц	23±1 дБм
Диапазон LTE 8: 880–915 МГц	23±1 дБм
Диапазон LTE 20: 832–862 МГц	23±1 дБм
Диапазон LTE 28: 703–748 МГц	23±1 дБм
Диапазон LTE 38: 2570–2620 МГц	23±1 дБм
Диапазон LTE 40: 2300–2400 МГц	23±1 дБм
Диапазон LTE 41: 2555–2655 МГц	23±1 дБм

Примечание: Некоторые модели поддерживаются только при условии работы на конкретных каналах Wi-Fi. Подробные сведения см. в технических характеристиках.



Директива WEEE 2012/19/EU (по утилизации отходов электрического и электронного оборудования): изделия, отмеченные этим символом, запрещено утилизировать в Европейском союзе в качестве несортированных бытовых отходов. Для надлежащей переработки следует передать это изделие местному поставщику после приобретения аналогичного нового оборудования либо доставить изделие в надлежащий пункт сбора отходов. Для получения дополнительной информации см.: [www.recyclethis.info](http://www.recyclethis.info)



Директива 2006/66/ЕС и поправка к ней 2013/56/EU (сведения о батарее): это изделие содержит батарею, которую запрещено утилизировать в Европейском

союзе в качестве несортированных бытовых отходов. Для получения конкретной информации о батарее см. документацию к изделию.

Маркировка батареи может включать в себя символы, которые обозначают ее химический состав: кадмий (Cd), свинец (Pb) или ртуть (Hg).

Для надлежащей утилизации отправьте батарею местному поставщику или утилизируйте ее в специальных пунктах приема отходов. Для получения дополнительной информации см.: [www.recyclethis.info](http://www.recyclethis.info).

## Инструкция по технике безопасности



### Меры предосторожности

#### Законодательные акты и нормативные документы

При использовании этого устройства необходимо соблюдать местное законодательство, правила безопасной эксплуатации электрооборудования и правила противопожарной безопасности.

#### Электробезопасность

**ПРЕДОСТЕРЕЖЕНИЯ!** Для снижения риска возникновения пожара используйте для замены предохранители только соответствующего типа и номинала.

Данное устройство следует устанавливать вместе с источником бесперебойного питания (ИБП) для предотвращения перезапуска.

#### Батарея

Данное устройство не предназначено для использования в тех местах, где могут находиться дети.

**ПРЕДОСТЕРЕЖЕНИЯ!** При установке батареи недопустимого типа существует риск взрыва.

Установка батареи недопустимого типа может создать угрозу для безопасности (например, в случае некоторых типов литиевых батарей).

Не бросайте батарею в огонь или горячую печь, не сдавливайте и не разрезайте батарею, поскольку это может привести к взрыву.

Нахождение батареи в среде с чрезвычайно высокой температурой может привести к взрыву или к утечке горючей жидкости или газа.

Нахождение батареи в среде с чрезвычайно низким давлением воздуха может привести к взрыву или к утечке горючей жидкости или газа.

Утилизируйте использованные батареи в соответствии с инструкциями.



### Предостережения

#### Предотвращение пожара

Не ставьте на устройство источники открытого огня, например горящие свечи.

Последовательный порт оборудования предназначен только для отладки.

## Горячая поверхность



**ПРЕДОСТЕРЕЖЕНИЯ!** Горячие детали! Опасность ожога пальцев при обращении с деталями.

Эта наклейка указывает на то, что данный компонент может быть горячим, и его нельзя трогать, не предприняв соответствующих мер предосторожности. Перед прикосновением к деталям устройства подождите полчаса после его включения.

Устройство с этой наклейкой предназначено для установки в зонах с ограниченным доступом. Доступ в эти зоны могут иметь только специалисты по техобслуживанию или пользователи, осведомленные о причинах ограничения доступа в эти зоны и о необходимых мерах предосторожности.

#### Установка

Установите оборудование в соответствии с инструкциями, приведенными в настоящем руководстве.

Во избежание травм устройстве необходимо надежно закрепить на потолке или стене согласно инструкциям по установке.

Убедитесь в наличии достаточного места для установки устройства и аксессуаров.

Убедитесь, что стена достаточно прочная, чтобы выдерживать 8-кратный вес устройства и его крепления.

Прежде чем подключать кабели, устанавливая или разбирая устройство, убедитесь, что питание отключено.

#### Транспортировка

Используйте оригинальную или схожую упаковку для транспортировки устройства.

Не роняйте и не ударяйте устройство.

#### Электроснабжение

источник питания должен соответствовать требованиям к ограниченному напряжению питания или требованиям PS2 согласно стандарту IEC 60950-1 или IEC 62368-1.

Стандартные параметры источника питания указаны на этикетке устройства. Убедитесь, что параметры источника питания соответствуют параметрам вашего устройства.

Используйте адаптер питания, поставляемый сертифицированным изготовителем.

Рекомендуется использовать отдельные адаптеры питания для каждого устройства, так как перегрузка адаптера может привести к перегреву и/или возникновению пожара.

#### Безопасность системы

Помните, что вы несете ответственность за конфигурирование всех паролей и прочих параметров безопасности устройства, а также за сохранность своего имени пользователя и пароля.

#### Техническое обслуживание

Если изделие не работает должным образом, обратитесь к дилеру или к специалистам ближайшего сервисного центра.

Компания-изготовитель не несет ответственности за неисправности, возникшие в результате несанкционированного ремонта или технического

обслуговування.

Некоторые компоненты устройства (например, электролитические конденсаторы) требуют регулярной замены. Средний срок службы этих компонентов может различаться, поэтому советуем периодически их проверять. Подробности уточняйте у продавца.

#### **Очистка**

Для очистки внутренних и наружных поверхностей используйте мягкую и сухую ткань. Не используйте щелочные моющие средства.

#### **Требования к рабочей среде**

При использовании любого лазерного оборудования убедитесь, что в объектив устройства не попадает лазерный луч, иначе он может выгореть.

Не направляйте объектив устройства на солнце или другие яркие источники света.

Для обеспечения надлежащих условий эксплуатации и предотвращения перегрева требуется хорошая вентиляция.

**ЗАПРЕЩАЕТСЯ** устанавливать устройство в условиях воздействия экстремально высоких или низких температур, пыли, коррозионных, солевых и щелочных веществ, а также во влажной среде.

Для устройств для наружной установки рабочая температура должна быть в диапазоне от -30°C до 65°C, а влажность ниже 90%. Для устройств для помещений рабочая температура должна быть в диапазоне от -10°C до 50°C, а влажность ниже 90%.

**ЗАПРЕЩАЕТСЯ** устанавливать устройство в условиях воздействия сильного электромагнитного излучения.

#### **Освещение**

Убедитесь, что воле объектива нет отражающих поверхностей. Свет от устройства может отразиться в объектив, что приведет к засветке.

Луч света на расстоянии 200 мм относится к группе риска 1 (RG1). Минимальное безопасное расстояние от устройства составляет около 1350 мм.

Данное изделие может испускать опасное оптическое излучение. Данное изделие испускает инфракрасное излучение. **ЗАПРЕЩАЕТСЯ** смотреть на работающий источник света. Это может быть вредно для глаз.

Если соответствующая защита для глаз недоступна, включайте свет только на безопасном расстоянии или в области, которая непосредственно не подвергается воздействию света.

НЕ включайте свет или пользуйтесь средствами защиты глаз во время сборки, установки или обслуживания устройства.

#### **Кнопка подачи экстренного сигнала тревоги**

Если устройство испускает дым, неприятный запах или шум, немедленно отключите электропитание, извлеките шнур питания и обратитесь в сервисный центр.

#### **Синхронизация времени**

Если локальное время не было синхронизировано с сетевым временем, выполните ручную настройку времени устройства при первом доступе. Войдите в систему устройства через веб-браузер или клиентское ПО и перейдите в

интерфейс настроек времени.

**Українська**



Зовнішній вигляд виробу зображено лише для довідки; вигляд фактичного виробу може відрізнятися.

©2023 Hangzhou Hikvision Digital Technology Co., Ltd. Усі права застережено.

#### **Про цю Інструкцію**

Ця Інструкція містить вказівки з використання Виробу та керування ним. Рисунки, діаграми, зображення та вся інша інформація в цьому документі надається лише для опису та пояснення. Інформація, що міститься в Інструкції, може змінюватися без попередження внаслідок оновлення прошивки чи з інших причин. З останньою версією цієї інструкції можна ознайомитися на вебсайті Hikvision (<https://www.hikvision.com/>).

Використовуйте Інструкцію під наглядом фахівців, які навчені обслуговувати Виріб.

#### **Торгові марки**

**HIKVISION**

та інші торгові марки компанії Hikvision і логотипи є власністю компанії Hikvision у різних юрисдикціях.

Інші згадувані торгові марки й логотипи є власністю їх відповідних власників.

#### **ОБМЕЖЕННЯ ВІДПОВІДАЛЬНОСТІ**

В МАКСИМАЛЬНИХ МЕЖАХ, ДОЗВОЛЕНИХ ЗАСТОСОВУВАННЯМ ЗАКОНОМ, ЦЕ КЕРІВНИЦТВО ТА ОПИСАНИЙ ВИРІБ, З ЙОГО АПАРАТНИМ, ПРОГРАМНИМ ТА МІКРОПРОГРАМНИМ ЗАБЕЗПЕЧЕННЯМ, НАДАЮТЬСЯ «ЯК Є» ТА «ЗІ ВСІМА НЕДОЛІКАМИ ТА ПОМИЛКАМИ». HIKVISION НЕ НАДАЄ ЖОДНИХ ГАРАНТІЙ, ЯВНИХ АБО ОЧІКУВАНИХ, ВКЛЮЧАЮЧИ, БЕЗ ОБМЕЖЕНЬ, КОМЕРЦІЙНІ ЯКОСТІ, ЗАДОВІЛЬНУ ЯКІСТЬ АБО ПРИДАТНІСТЬ ДЛЯ ХАРАКТЕРНОЇ МЕТИ. ВИКОРИСТАННЯ ВИРОБУ ВІДБУВАЄТЬСЯ НА ВАШ ВЛАСНИЙ РИЗИК. КОМПАНІЯ HIKVISION НІ В ЯКОМУ РАЗІ НЕ НЕСЕ ВІДПОВІДАЛЬНОСТІ ПЕРЕД ВАМИ ЗА БУДЬ-ЯКІ СПЕЦІАЛЬНІ, ЛОГІЧНО ВИТКАЮЧІ, ВИПАДКОВІ АБО НЕПРЯМІ ЗБИТКИ, ВКЛЮЧАЮЧИ, КРІМ ІНШОГО, ПОШКОДЖЕННЯ, ЩО ВЕДУТЬ ДО ВТРАТИ КОМЕРЦІЙНОГО ПРИБУТКУ, ПЕРЕРИВАННЯ ДІЛОВОЇ АКТИВНОСТІ АБО ВТРАТИ ДАНИХ, ПСУВАННЯ СИСТЕМ АБО ВТРАТИ ДОКУМЕНТАЦІЇ, НЕВАЖЛИВО, ЧИ ВНАСЛІДОК ПОРУШЕННЯ КОНТРАКТУ, ЦИВІЛЬНОГО ПРАВОПОРУШЕННЯ (ВКЛЮЧАЮЧИ НЕДБАЛІСТЬ), ВІДПОВІДАЛЬНОСТІ ЗА ВИРІБ, АБО ІНШИМ ЧИНОМ, ПОВ'ЯЗАНИХ З ВИКОРИСТАННЯМ ВИРОБУ, НАВІТЬ ЯКЩО КОМПАНІЯ HIKVISION ПОВІДОМЛЯЛА ПРО МОЖЛИВІСТЬ ТАКИХ ЗБИТКІВ АБО ВТРАТ. ВИ УСВІДОМЛЮЄТЕ, ЩО ПРИРОДА ІНТЕРНЕТУ НЕСЕ ПРИТАМАННІ РИЗИКИ ДЛЯ БЕЗПЕКИ, І КОМПАНІЯ HIKVISION НЕ БЕРЕ НА СЕБЕ НІЯКОЇ ВІДПОВІДАЛЬНОСТІ ЗА НЕНОРМАЛЬНУ РОБОТУ, ВТРАТУ КОНФІДЕНЦІЙНОСТІ АБО ІНШІ ЗБИТКИ В РЕЗУЛЬТАТІ КІБЕР-АТАК, ХАКЕРСЬКИХ АТАК, ЗАРАЖЕНЬ ВІРУСАМИ АБО ІНШИХ РИЗИКІВ ДЛЯ БЕЗПЕКИ В ІНТЕРНЕТІ, ОДНАК, КОМПАНІЯ HIKVISION В РАЗІ НЕОБХІДНОСТІ НАДАСТЬ СВОЄЧАСНУ ТЕХНІЧНУ ПІДТРИМКУ.

ВИ ПОГОДЖУЄТЕСЬ ВИКОРИСТОВУВАТИ ЦЕЙ ВИРІБ У ВІДПОВІДНОСТІ ДО ВСІХ ЗАСТОСОВУВАНИХ ЗАКОНІВ, І ВИ НЕСЕТЕ ОДНООСІБНУ ВІДПОВІДАЛЬНІСТЬ ЗА ЗАБЕЗПЕЧЕННЯ ВИКОРИСТАННЯ ВИРОБУ ВІДПОВІДНО ДО ЗАСТОСОВУВАНОГО ЗАКОНУ. ЗОКРЕМА, ВИ НЕСЕТЕ ВІДПОВІДАЛЬНІСТЬ ЗА ВИКОРИСТАННЯ ЦЬОГО ВИРОБУ СПОСОБОМ, ЯКИЙ НЕ ПОРУШУЄ ПРАВА ТРЕТІХ СТОРІН, ВКЛЮЧАЮЧИ, БЕЗ ОБМЕЖЕНЬ, ПРАВА РОЗГОЛОШЕННЯ, ПРАВА ІНТЕЛЕКТУАЛЬНОЇ ВЛАСНОСТІ ТА ІНШІ ПРАВА ЩОДО КОНФІДЕНЦІЙНОСТІ. ВИ НЕ ПОВИННІ ВИКОРИСТОВУВАТИ ЦЕЙ ВИРІБ ДЛЯ БУДЬ-ЯКОГО ЗАБОРОНЕНОГО КІНЦЕВОГО ПРИЗНАЧЕННЯ, ВКЛЮЧАЮЧИ РОЗРОБКУ ЧИ ВИРОБНИЦТВО ЗБРОЇ МАСОВОГО ЗНИЩЕННЯ, РОЗРОБКУ ЧИ ВИРОБНИЦТВО ХІМІЧНОЇ АБО БІОЛОГІЧНОЇ ЗБРОЇ, БУДЬ-ЯКІ ДІЇ В КОНТЕКСТІ, ПОВ'ЯЗАНОМУ З ЯДЕРНОЮ ВИБУХОВОЮ РЕЧОВИНОЮ АБО НЕБЕЗПЕЧНИМ ЯДЕРНИМ ПАЛИВИМ ЦИКЛОМ, АБО НА ПІДТРИМКУ ПОРУШЕНЬ ПРАВ ЛЮДИНИ.

У РАЗІ БУДЬ-ЯКИХ ПРОТИРІЧ МІЖ ЦЬОЮ ІНСТРУКЦІЄЮ ТА ЗАСТОСОВУВАНИМ ЗАКОНОМ ОСТАННІЙ МАЄ ПЕРВАВГУ.

### Нормативна інформація

**Ці положення застосовуються лише до продуктів, які мають відповідний знак або інформацію.**

### Декларація відповідності нормативним вимогам ЄС



Цей виріб й аксесуари до нього (якщо є в комплекті) мають маркування «CE», а

тому відповідають чинним гармонізованим європейським стандартам, переліченим у Директиві з електромагнітної сумісності (EMCD) 2014/30/ЄС, Директиві з низьковольтного електрообладнання (LVD) 2014/35/ЄС і Директиві щодо обмеження використання шкідливих речовин (RoHS) 2011/65/ЄС.

Цим Hangzhou Hikvision Digital Technology Co., Ltd. заявляє, що цей пристрій (див. етикетку) відповідає вимогам Директиви 2014/53/ЄС. Повний текст декларації про відповідність нормативним вимогам ЄС можна знайти за адресою: <https://www.hikvision.com/europe/support/download/declaration-of-conformity/>.

Якщо пристрій постачається без блока живлення, використовуйте блок живлення сертифікованого виробника. Детальні вимоги щодо живлення див. у характеристиках виробу.

Якщо пристрій постачається без батарей, використовуйте батареї сертифікованого виробника. Детальні вимоги щодо батарей див. у характеристиках виробу.

### Смуги частот і потужність (для CE)

Смуги частот і номінальні обмеження переданої потужності (випромінюваної та/або прохідної), застосовні до цього радіопристрою, наведені нижче:

### КОНТАКТ ІЗ РАДІОЧАСТОТАМИ

Стосується таких моделей:

DS-2DE\*4G\*

Смуги частот, режими, а також номінальні ліміти переданої потужності (випромінюваної та/або прохідної), застосовні до цього радіопристрою, наведені нижче:

Wi-Fi 2,4 ГГц (2,4–2,4835 ГГц)	20 дБм
GSM850: 824–849 МГц	32,5±1 дБм
GSM900: 880–915 МГц	32,5±1 дБм
DCS1800: 1710–1785 МГц	29,5±1 дБм
WCDMA, смуга I: 1920–1980 МГц	23,5±1 дБм
WCDMA, смуга V: 824–849 МГц	23,5±1 дБм
WCDMA, смуга VIII: 880–915 МГц	23,5±1 дБм
LTE, смуга 1: 1920–1980 МГц	23±1 дБм
LTE, смуга 3: 1710–1785 МГц	23±1 дБм
LTE, смуга 5: 824–849 МГц	23±1 дБм
LTE, смуга 7: 2500–2570 МГц	23±1 дБм
LTE, смуга 8: 880–915 МГц	23±1 дБм
LTE, смуга 20: 832–862 МГц	23±1 дБм
LTE, смуга 28: 703–748 МГц	23±1 дБм
LTE, смуга 38: 2570–2620 МГц	23±1 дБм
LTE, смуга 40: 2300–2400 МГц	23±1 дБм
LTE, смуга 41: 2555–2655 МГц	23±1 дБм

Примітка: Окремі моделі працюють тільки на певних каналах Wi-Fi. Докладну інформацію див. у технічному паспорті.



2012/19/ЄС (Директива з утилізації електричного й електронного



обладнання, WEEE): Вироби, помічені цим символом, не можна утилізувати у Європейському Союзі як несортвані побутові відходи. Щоб забезпечити правильну переробку цього виробу, поверніть його місцевому постачальнику під час придбання аналогічного нового обладнання, або здайте його до спеціально призначеного пункту збирання відходів. Докладну інформацію дивіться на сайті [www.recyclethis.info](http://www.recyclethis.info)



2006/66/ЄС із поправками 2013/56/ЄС (Директива щодо акумуляторів): Цей виріб містить батарею, яку не можна

утилізувати в Європейському Союзі як несортвані побутові відходи. Інформацію щодо батареї див. у документації до виробу. Батарея помічена цим символом, який може включати букви, що вказують на наявність кадмію (Cd), свинцю (Pb) або ртуті (Hg). Щоб забезпечити правильну переробку батареї, поверніть її постачальнику або здайте до спеціалізованого пункту збирання відходів. Докладну інформацію дивіться на сайті [www.recyclethis.info](http://www.recyclethis.info).

### Указівки з техніки безпеки



**Увага!**

### Закони та норми

Пристрій слід використовувати з дотриманням місцевих законів, електротехнічних норм та



правил протипожежної безпеки.

## Електрична безпека

**ОБЕРЕЖНО:** Для зменшення ризику пожежі замінійте лише на запобіжник такого ж типу і з такими ж характеристиками.

Це обладнання має встановлюватися разом із джерелом безперебійного живлення (ДБЖ) задля запобігання ризику вимкнення й перевантаження.

## Батарея

Це обладнання не підходить для використання у місцях, де можуть перебувати діти.

**ОБЕРЕЖНО:** Встановлення батареї невідповідного типу може призвести до вибуху.

Встановлення батареї невідповідного типу може призвести до порушення системи захисту (зокрема, у разі використання літєвих батарей деяких типів).

Не кидайте батарею у вогонь або в гарячу піч, не розбивайте та не розривуйте її. Це може призвести до вибуху.

Не залишайте батарею в місцях із дуже високою температурою. Це може призвести до вибуху або витoku вогнебезпечної рідини або газу.

Не залишайте батарею в місцях із дуже низьким атмосферним тиском. Це може призвести до вибуху або витoku вогнебезпечної рідини або газу.

Утилізуйте використані батареї згідно з інструкціями.



## Обережно!

### Запобігання пожежі

Заборонається розміщувати на обладнанні джерела відкритого вогню, як-от свічки, які горять.

Послідовний порт обладнання використовується лише для налагодження.

### Гаряча поверхня



**ОБЕРЕЖНО:** Гарячі деталі! Будьте обережні, щоб не обпекти пальці о деталі.

Ця етикетка означає, що деталь може нагріватися, і тому її не слід торкатися, не вживши застережних заходів. Після вимкнення живлення зачекайте півгодини, перш ніж торкатися цих деталей.

Пристрій із цією наклейкою призначений для встановлення в місцях з обмеженим доступом. Доступ можуть отримати лише працівники сервісної служби або користувачі, яким роз'яснено причини таких обмежень і необхідні заходи безпеки.

### Установлення

Установлюйте обладнання відповідно до вказівок у цій інструкції.

Щоб уникнути травм, це обладнання слід надійно закріпити на стелі/стіні відповідно до вказівок щодо встановлення.

Забезпечте достатньо місця для встановлення пристрою та додаткового приладдя.

Переконайтеся, що стіна достатньо міцна, щоб витримувати вагу, у 8 разів більшу за вагу пристрою та кріплення.

Перш ніж під'єднувати, встановлювати або

розбирати пристрій, переконайтеся, що живлення від'єднано.

### Транспортування

Під час транспортування зберігайте пристрій в оригінальному або подібному пакуванні.

Не допускайте падіння виробу або впливу на нього механічних ударів.

### Живлення

Джерело живлення згідно зі стандартом IEC 60950-1 або IEC 62368-1 має відповідати вимогам щодо джерела обмеженої потужності або PS2.

Стандартне джерело живлення див. на етикетці пристрою. Переконайтеся, що джерело живлення відповідає вашому пристрою.

Використовуйте адаптер живлення сертифікованих виробників. Рекомендується забезпечити незалежний адаптер живлення для кожного пристрою, оскільки перевантаження адаптера може спричинити перегрівання або пожежу.

### Безпека системи

Усвідомте, що ви несете відповідальність за налаштування всіх паролів та інших параметрів безпеки пристрою, а також за збереження свого імені користувача та пароля.

### Технічне обслуговування

Якщо виріб не працює належним чином, зверніться до вашого дилера або найближчого сервісного центру. Ми не несемо жодної відповідальності за проблеми, які виникли внаслідок незатриманого ремонту чи догляду.

Пристрій містить декілька компонентів (наприклад, електrolітичний конденсатор), які необхідно регулярно замінювати. Середній термін служби різниться, тому рекомендується регулярно перевіряти ці компоненти. Для додаткової інформації звертайтеся до вашого дилера.

### Чищення

Для чищення внутрішніх і зовнішніх поверхонь використовуйте м'яку суху тканину. Не використовуйте лужні миючі засоби.

### Умови експлуатації

Під час використання будь-якого лазерного обладнання слідкуйте за тим, щоб лазерний промінь не потрапив на об'єкти пристрою, адже це може призвести до його перегрівання.

Не спрямовуйте об'єкти на сонце або інші джерела яскравого світла.

Щоб уникнути накопичення тепла, у належному робочому середовищі потрібна хороша вентиляція.

НЕ використовуйте пристрій у надзвичайно спекотному, холодному, запиленому, корозійному, сольово-лужному або вологому середовищі.

Для пристроїв, що встановлюються на дворі, робоча температура повинна становити від -30°C до 65°C (від -22°F до 149°F), робоча вологість повітря повинна бути меншою за 90%. Для пристроїв, що встановлюються всередині приміщень, робоча температура повинна становити від -10°C до 50°C (від -14°F до 122°F), робоча вологість повітря повинна бути меншою за 90%.

НЕ піддавайте пристрій впливу сильного

електромагнітного випромінювання.

## Джерело світла

Переконайтеся, що поблизу об'єктива пристрою немає поверхонь, що відбивають світло. Світло з пристрою може відбиватися в об'єктив та спричиняти відблиски.

Промінь світла на відстані 200 мм належить до групи ризику 1 (RG1). Мінімальна безпечна відстань до пристрою становить приблизно 1350 мм.

Цей виріб може генерувати небезпечне оптичне випромінювання. Цей виріб є джерелом інфрачервоного випромінювання. НЕ ДИВІТЬСЯ на вмикнене джерело світла. Це може завдати очам.

Якщо під час установа або обслуговування пристрою відсутнє належне екранування або захист органів зору, вмикайте світло, лише коли перебуваєте на безпечній відстані або в зоні, яка не піддається прямому впливу світла.

Під час збирання, встановлення або технічного обслуговування пристрою НЕ вмикайте світло або використовуйте засоби захисту органів зору.

## Аварійні ситуації

Якщо пристрій випускає дим, запах або видає шум, негайно вимкніть живлення, від'єднайте кабель живлення та зверніться в сервісний центр.

## Синхронізація часу

Під час першого використання встановіть час пристрою вручну, якщо він не синхронізувався за мережею. Відкрийте меню пристрою через веб-браузер / клієнтську програму та перейдіть до інтерфейсу налаштування часу.

## العربية

مظهر المنتج للمرجعية فقط وقد يختلف عن المنتج الفعلي.

## ©2023 Hangzhou Hikvision Digital Technology Co., Ltd. جميع الحقوق محفوظة.

### نبذة عن هذا الدليل

يتضمن الدليل تعليمات بشأن استخدام المنتج وإدارته. الصور والمخططات والرسومات وجميع المعلومات الأخرى الواردة فيما بعد مقدمة للموصف والتوضيح فقط. وتخضع المعلومات الواردة في الدليل للتغيير، من دون إخطار، بسبب تحديثات البرامج الثابتة أو أسباب أخرى. ويرجى الإطلاع على أحدث إصدار من هذا الدليل على موقع Hikvision الإلكتروني (<https://www.hikvision.com/>).

يرجى استخدام هذا الدليل الذي يتضمن التوجيه والدعم من جانب المحترفين المدربين على دعم المنتج.

### العلامات التجارية

## HIKVISION

وغيرها من علامات Hikvision التجارية وشعاراتها تملكها Hikvision في مختلف الولايات القضائية. أما العلامات التجارية والشعارات الأخرى المذكورة فيملكها أصحابها المعنيون.

### إخلاء المسؤولية

إلى الحد الأقصى الذي يسمح به القانون المعمول به، يتوافر هذا الدليل والمنتج الموصوف وما يتضمنه من أجهزة وبرامج وبرامج ثابتة "في" الحالة التي هو عليها" و"بكل العيوب والأخطاء التي يتضمنها". لا تقدم HIKVISION أي ضمانات، سواء كانت صريحة أو ضمنية، بما في ذلك، على سبيل المثال لا الحصر، قابلية التسويق، أو الجودة الفرضية، أو العلامة لغير معين. يقع استخدام المنتج من قبلك على مسؤوليتك الخاصة. إن تتحمل شركة HIKVISION -بأي حال من الأحوال- المسؤولية عن أي أضرار خاصة، أو لاحقة، أو عرضية، أو غير مباشرة -بما في ذلك، ومن بين أمور أخرى- أي أضرار ناجمة عن

فقدان الأرباح التجارية، أو توقف العمل، أو فقدان البيانات، أو فساد في الأنظمة، أو صياح الوثائق سواء أكان ذلك استناداً إلى خرق للعقد، أم خطأ (ومنه الإهمال). - أو مسؤولية المنتج أو غير ذلك، فيما يتعلق باستخدام المنتج، حتى إذا كان قد تم إبلاغ HIKVISION بإمكانية حدوث مثل هذه الأضرار أو فقدان.

أنت تقر بطبيعة الإنترنت التي تنطوي على المخاطر الأمنية الكامنة، ولا يقع على HIKVISION أي مسؤوليات عن التشغيل غير الطبيعي أو تسرب الخصوصية أو غيرهما من الأضرار الناجمة عن الهجوم الإلكتروني أو هجوم القرصنة أو الإصابة بالفيروسات والمخاطر الأمنية للإنترنت - ومع ذلك، سوف توفر HIKVISION الدعم الفني في الوقت المناسب، إذا لزم الأمر.

أنت توافق على استخدام المنتج تمامًا بما في ذلك القوانين المعمول بها، وتتحمّل وحدك المسؤولية عن ضمان أن استخدامك يتوافق مع القانون المعمول به. وتتحمّل وحدك بشكل خاص المسؤولية عن استخدام المنتج بطريقة لا تنتهك حقوق الأطراف الأخرى، بما في ذلك، على سبيل المثال لا الحصر، حقوق الدعاية، أو حقوق الملكية الفكرية، أو حقوق حماية البيانات وحقوق الخصوصية الأخرى. لا يجوز استخدام هذا المنتج لأي استخدامات نهائية محظورة، بما في ذلك تطوير أسلحة دمار شامل أو إنتاجها، أو تطوير أسلحة كيميائية أو بيولوجية أو إنتاجها، أو أي أنشطة في هذا السياق متعلقة بأي مواد قابلة للانفجار النووي أو دورة الوقود النووي غير الآمنة، أو لدعم انتهاكات حقوق الإنسان. ويسود القانون الساري في حال حدوث أي تضارب بينه وبين هذا الدليل.

### المعلومات التنظيمية

تتطابق هذه البنود على المنتجات التي تحمل المعلومات أو العلامة المماثلة فقط.

### بيان الامتثال لمعايير الاتحاد الأوروبي

يحمل هذا المنتج وكذلك ملحقاته الممنقة - إن وجدت - علامة "CE" ومن تمّ يمثل للمعايير الأوروبية المنسقة السارية والمدرجة ضمن توجيه التوافق الكهرومغناطيسي (EMC) 2014/30/EU، وتوجيه الجهد المنخفض 2014/35/EU (LVD)، وتوجيه الحد من المواد الخطرة (RoHS) 2011/65/EU.

بموجب هذا، تعلن شركة Hangzhou Hikvision Digital Technology Co., Ltd. مع توجيه 2014/53/EU، بتوفر النص الكامل لإعلان المطابقة للاتحاد الأوروبي على عنوان الإنترنت التالي:

<https://www.hikvision.com/europe/support/download/declaration-of-conformity/>

بالنسبة للجهاز الذي لا يحتوي على محول طاقة مزود، استخدم محول الطاقة الذي توفره جهة تصنيع مؤهلة. راجع مواصفات المنتج للحصول على متطلبات الطاقة التفصيلية.

بالنسبة للجهاز الذي لا يحتوي على بطارية مزودة، استخدم البطارية التي توفرها جهة تصنيع مؤهلة. راجع مواصفات المنتج للحصول على متطلبات البطارية التفصيلية.

### نطاقات التردد والطاقة (د-CE)

تطابق التردد وقدرته الإرسال (المشعة و/أو الموصلة) هي الحدود الاسمية المطبقة على معدات الراديو التالية على النحو التالي:

### التعرض للتردد اللاسلكي (RF)

ينطبق ذلك على طراز الجهاز التالي:

DS-2DE\*4G\*

يمكن نطاق التردد والوضع والحدود الاسمية لطاقة الإرسال (المشعة و/أو الموصلة) المطبقة على هذا الجهاز اللاسلكي فيما يلي:

20 ديسيبل ميلي وات	2.4 Wi-Fi جيجاهرتز (2.4 جيجاهرتز - 2.4835 جيجاهرتز):
±32.5 ديسيبل ميلي وات	GSM900: 824 - 849 ميجاهرتز
±32.5 ديسيبل ميلي وات	GSM900: 880 - 915 ميجاهرتز
±29.5 ديسيبل ميلي وات	DCS1800: 1710 - 1785 ميجاهرتز



23.5±1 ديسيبيل مللي وات	:WCDMA Band 1 مجاهرتز 1980 – 1920
23.5±1 ديسيبيل مللي وات	:WCDMA Band 5 مجاهرتز 849 – 824
23.5±1 ديسيبيل مللي وات	:WCDMA Band VIII مجاهرتز 915 – 880
23±1 ديسيبيل مللي وات	LTE Band 1 :1980 – 1920 مجاهرتز
23±1 ديسيبيل مللي وات	LTE Band 3 :1785 – 1710 مجاهرتز
23±1 ديسيبيل مللي وات	LTE Band 5 :849 – 824 مجاهرتز
23±1 ديسيبيل مللي وات	LTE Band 7 :2570 – 2500 مجاهرتز
23±1 ديسيبيل مللي وات	LTE Band 8 :915 – 880 مجاهرتز
23±1 ديسيبيل مللي وات	LTE Band 20 :862 – 832 مجاهرتز
23±1 ديسيبيل مللي وات	LTE Band 28 :748 – 703 مجاهرتز
23±1 ديسيبيل مللي وات	LTE Band 38 :2620 – 2570 مجاهرتز
23±1 ديسيبيل مللي وات	LTE Band 40 :2400 – 2300 مجاهرتز
23±1 ديسيبيل مللي وات	LTE Band 41 :2655 – 2555 مجاهرتز

ملاحظة: بعض الطرز مدعومة فقط للعمل على قنوات Wi-Fi محددة. راجع ورقة البيانات للحصول على التفاصيل.

2012/19/EU (توجيه نفايات الاجهزة الكهربائية)



الإلكترونية: (WEEE) لا يمكن التخلص من المنتجات التي تحمل هذا الرمز بوصفها نفايات بلدية غير مصنفة في الاتحاد الأوروبي. ولتحقيق إعادة التدوير بطريقة سليمة، أعد هذا المنتج إلى المورد المحلي الذي تتعامل معه عند شراء جهاز جديد مماثل أو تخلص منه في نقاط التجميع المحددة للحصول على مزيد من المعلومات، راجع: [www.recyclethis.info](http://www.recyclethis.info)

2006/66/EC وتعديله 2013/56/EU (توجيه



البطارية): يحوي هذا المنتج على بطارية لا يمكن التخلص منها بوصفها نفايات محلية غير مصنفة في الاتحاد الأوروبي. راجع وثائق المنتج للاطلاع على معلومات محددة بشأن البطارية. تحمل البطارية هذا الرمز، الذي يتضمن حروفاً تدل على الكاديوم (Cd) أو الرصاص (Pb) أو الزئبق (Hg). لتحقيق إعادة التدوير بطريقة سليمة، أعد البطارية إلى المورد الذي تتعامل معه أو إلى نقطة تجميع محددة للحصول على مزيد من المعلومات، راجع: [www.recyclethis.info](http://www.recyclethis.info)

تعليمات السلامة



التحذيرات

القوانين واللوائح

يجب استخدام الجهاز وفقاً للقوانين المحلية ولوائح السلامة الكهربائية ولوائح الوقاية من الحريق.

السلامة الكهربائية

تنبيه: لتقليل خطر نشوب حريق، استبدل المصهر بأخر يكون فقط من نفس النوع وفترة التصنيف.

يجب تركيب هذا الجهاز مع وحدة UPS لتجنب خطر إعادة التشغيل.

البطارية

هذا الجهاز غير مناسب للاستخدام في الأماكن التي يُحتمل وجود أطفال فيها.

تنبيه: ثمة خطر انفجار إذا تم استبدال البطارية بنوع غير صحيح. قد يؤدي الاستبدال غير الصحيح للبطارية بنوع غير صحيح إلى إبطال الحماية (على سبيل المثال، في حالة بعض أنواع بطاريات الليثيوم).

لا تتخلص من البطارية بإلقائها في النار أو في فرن ساخن، أو تمق بسحق البطارية أو تقطيعها ميكانيكياً، مما قد يؤدي إلى حدوث انفجار. لا تترك البطارية في بيئة محيطية ذات درجة حرارة عالية للغاية، مما قد يؤدي إلى حدوث انفجار أو تسرب سائل أو غاز قابل للاشتعال. لا تُعرض البطارية لضغط هواء منخفض للغاية، مما قد يؤدي إلى حدوث انفجار أو تسرب سائل أو غاز قابل للاشتعال. تخلص من البطاريات المستعملة حسب التعليمات.



التنبيهات

الوقاية من الحريق

يجب عدم وضع مصادر لهب مكشوفة، مثل الشموع المضاءة، على الجهاز.

يُستخدم المنفذ التسلسلي للجهاز لتصحيح الأخطاء فقط.

سخونة السطح



تنبيه: الأجزاء الساخنة قد تتعرض أصابعك للاحتراق عند مسك الأجزاء الساخنة.

هذا المصنق يشير إلى أن العنصر المحدد يمكن أن يكون ساخناً ولا يجب لمسه دون توخي الحذر. انتظر نصف ساعة بعد إيقاف تشغيل الجهاز قبل مسك الأجزاء.

الجهاز الذي يحتوي على هذا المصنق مخصص للتركيب في موقع وصول مقيد. ولا يمكن الوصول إليه إلا من قبل أشخاص الخدمة أو المستخدمين الذين تم إطلاعهم على أسباب القيود المطبقة على الموقع وحول أي احتياطات يجب اتخاذها.

التركيب

ثبّت الجهاز وفقاً للتعليمات الواردة في هذا الدليل.

لمنع الإصابة، يجب تثبيت هذا الجهاز بإحكام في السقف/الحائط وفقاً لتعليمات التثبيت.

تأكد من وجود مساحة كافية لتثبيت الجهاز وملحقاته.

تأكد من أن الحائط قوي بما يكفي لتحمل 8 أضعاف وزن الكاميرا والحامل على الأقل.

تأكد من فصل الطاقة قبل توصيل أسلاك الجهاز، أو تركيبه أو فكه.

النقل

احتفظ بالجهاز في عبوته الأصلية أو عبوة مماثلة في أثناء نقله.

لا تسقط المنتج أو تعرضه لصدمة فعلية.

مصدر الطاقة

يجب أن يفي مصدر الطاقة بمتطلبات مصدر طاقة محدود أو متطلبات PS2 وفقاً لمعيار IEC 60950-1 و IEC 62368-1.

ارجع إلى مصنق الجهاز الخاص بمصدر الإمداد بالطاقة القياسي. يُرجى التأكد من توافق مصدر الإمداد بالطاقة مع الجهاز.

استخدم محول الطاقة المقدم من قبل الشركات المصنعة المؤهلة. يوصى بتوفير محول طاقة مستقل لكل جهاز لأن التحميل الزائد على المحول قد يتسبب في ارتفاع درجة الحرارة أو التعرض لحظر نشوب حريق.

أمان النظام

يُرجى تفهم أنك تتحمل مسؤولية تكوين جميع كلمات المرور وإعدادات الأمان الأخرى الخاصة بالجهاز، ويُرجى الاحتفاظ باسم المستخدم الخاص بك وكلمة المرور.

الصيانة

إذا لم يعمل المنتج بشكل سليم، فيرجى الاتصال بالوكيل أو أقرب مركز خدمة. لن تتحمل أي مسؤولية عن المشاكل التي يتسبب في حدوثها الإصلاح أو الصيانة من جهة غير معتمدة.

تتطلب بعض مكونات الجهاز (مثل المكثف الكهربائي) الاستبدال بصورة منتظمة. يختلف متوسط فترة الاستخدام، لذا يوصى بإجراء فحص دوري. اتصل بالموزع للحصول على التفاصيل.

التنظيف

يُرجى استخدام قطعة قماش ناعمة وجافة لتنظيف الأسطح الداخلية والخارجية. لا تستخدم المنظفات القوية.

بيئة الاستخدام

عند استخدام أي أجهزة ليزر، تأكد من عدم تعرض عدسة الجهاز لشعاع الليزر، واللافت تحترق.

لا توجه العدسة نحو الشمس أو أي أضواء ساطعة أخرى.  
لتجنب تراكم الحرارة، يلزم وجود تهوية جيدة لتوفير بيئة تشغيل مناسبة.

لا تعرض الجهاز للبيئات شديدة السخونة أو البرودة أو الملوحة بالغبار أو المسببة للتآكل أو ذات الملوحة العالية أو الرطوبة.

بالنسبة للأجهزة الخارجية، يجب أن تتراوح درجة حرارة العمل من 30- درجة مئوية إلى 65 درجة مئوية (من 22- درجة فهرنهايت إلى 149 درجة فهرنهايت) ويجب أن تكون رطوبة العمل أقل من 90%. بالنسبة للأجهزة الداخلية، يجب أن تتراوح درجة حرارة العمل من 10- درجات مئوية إلى 50 درجة مئوية (من 14- درجة فهرنهايت إلى 122 درجة فهرنهايت) ويجب أن تكون رطوبة العمل أقل من 9%. لا تعرض الجهاز للإشعاع الكهرومغناطيسي العالي.

#### مصباح الإضاءة

تأكد من عدم وجود سطح عاكس قريب جدًا من عدسة الكاميرا. فقد ينعكس الضوء المنبعث من الجهاز مرة أخرى إلى العدسة مؤديًا إلى الانعكاس.

يُصنّف شعاع الضوء على مسافة 200 مم على أنه ينتمي إلى مجموعة المخاطر (RG1). I. يبلغ الحد الأدنى للمسافة للامنة حوالي 1350 مم من الجهاز.

ومن المحتمل أن يكون الإشعاع البصري المنبعث من هذا المنتج خطيرًا. تتبعت أشعة تحت حمراء من هذا المنتج. لا تحقق في مصدر ضوء التشغيل. قد يتسبب في حدوث ضرر لعينيك.

في حالة عدم توفر الحماية المناسبة أو وافي العين، قم بتشغيل الضوء فقط على مسافة آمنة أو في المنطقة التي لا تتعرض مباشرة للضوء.

عند تجميع الجهاز أو تثبيته أو صيانته، لا تقم بتشغيل الضوء أو ارتداء وافي العين.

#### الطوارئ

إذا انبعت دخان أو رائحة غريبة أو ضوضاء من الجهاز، فأوقف تشغيل الطاقة على الفور وافصل كابلات الطاقة، ثم اتصل بمركز الخدمة.

#### مزامنة الوقت

قم بإعداد وقت الجهاز يدويًا لأول مرة للوصول إذا لم يكن الوقت المحلي متزامنًا مع الوقت الخاص بالشبكة. تفضل بزيارة الجهاز عبر متصفح الويب/برنامج العميل وانتقل إلى واجهة إعدادات الوقت.

