



# IPY-Z45830S-Pro

8 MP 30X PTZ IR Network Camera  
Built-in Mic Human Detection



## ■ Features

- 1/2.8" Sony IMX415 CMOS sensor
- 8MP 4K UHD resolution 3840 x 2160 output
- Ultra low illumination 0.01Lux
- Day/Night, AWB, 2D/3D-DNR, IR-CUT,WDR/HDR
- Multiply Style OSD Overlay, Motion Detection, Privacy Mask
- RTSP and Onvif 17.06 compatible with many third-party NVR
- H.264/H.265 three-stream RTSP media server
- Easy-to-use P2P Cloud service
- Alarm snapshot to FTP and Email
- Storage to NAS via NFS protocol
- Youtube Live via RTMP Protocol
- Support user authentication, video data encryption, HTTPS security access
- Multiply WEB browser compatible, PC Client, Mobile APP remote access
- RJ45 100mbps network port, IEEE802.3at PoE+
- Lightning protection 4000V, Strong water-proof housing, IP66
- 8pcs Hi-power Array IR Led, IR distance 80-100 meters
- 360-degree endless rotating true 30x zoom lens
- A-B scan Preset cruise Power on recovery
- Hi-power PoE +





## ■ Specification

### Camera

Image Sensor	1/2.8" 8MP IMX415 CMOS
Effective Pixels	3840(H)×2160 (V)
Electronic Shutter	AUTO, 1/25s ~ 1/100000s, Manual
Min. Illumination	0.01Lux@F1.2(AGC ON), 0Lux IR on
Day/Night	Auto/Color/(B/W)/Timing
WDR	WDR/HDR
White Balance	Auto/Manual
AGC/BLC/HLC	Support
DNR	2D/3D DNR
Other	Multi-lines OSD, Motion Detection, Privacy Mask, Mirror, shutter

### Encode

Video Standard	H.264/H.265/H.265+
Video Resolution	MainStream:20fps@8MP(3840x2160),30fps@6MP(3072x2048)/5MP(2592x1944)/4MP/3MP,60fps@1080P/720PSub stream: 720x480/VGA(640x480)/360P/QVGA@30fps,etc. Third stream:10fps@1080P/720P/CIF
Video Bitrates	64Kbps - 12Mbps, VBR/CBR
Audio Standard	G.711-u/G.711-a/AAC
Built-in Mic	Yes
Built-in SD-slot	Yes Max 256GB
OSD Overlay	Title and Time overlay

### Event Alarm

Human Detection	Yes
Motion Detection	Yes
Alarm Trigger Action	Snapshot/recording/APP alert/Email/FTP/Onvif

### IR Led

IR Led	8 pcs Array IR Led (2 near + 4 far + 2 farther)
IR Distance	80-100 M

### Lens

Focal length	5-150mmAF lens
Zoom	True 30x optical zoom
IRIS	F1.5-F22
View angle	68 – 2.5degree

### PTZ

Pan/Tilt Range	Pan: 0° ~ 360°; Tilt: 0° ~ 90°
Preset Point	128
Control Speed	Pan: 0.5° ~40° /s; Tilt: 0.5° ~40° /s
A-B Scanning	Yes
Auto Cruising	Yes
IdleAction	Yes
Power on Action	Preset/Scan/Cruise
Power-off Recovery	Yes

### Network Services

Protocol	HTTP/HTTPS/RTSP/FTP/SMTP/DHCP/NTP/DST/NFS/RTMP
P2P	Yes
Web	IE Chrome Firefox Edge Safari
Media	LMS, Android, IOS
ONVIF	17.06 compatible

### General

Language	English/Chinese/Russian/German/Italian/Korean/Turkish/Pakistan
Network Port	1-RJ45, 100Mbps, PoE+ 48V in
Power Supply	12 VDC ± 10% 2A
Power Consumption	< 22 W
Operating Temp.	-20°C-(+60)°C, 10%-90%RH
Housing Material	Aluminum Metal 2.4Kg

\* Product specifications may change without prior notice.





## IPY-Z45830S-Pro

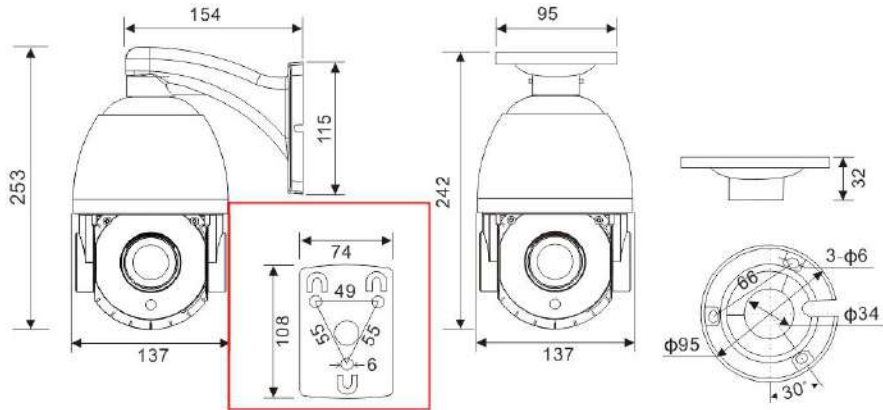
8 MP 30X PTZ IR Network Camera

### Available Model

IPY-Z45520S (Zoom 20X)

IPY-Z45830S (Zoom 30X)

### Dimension



### Accessory

### Optional



Uin Technology Co., Ltd.

+86-871 63586112

[www.uin-tech.com](http://www.uin-tech.com)

4F,Block 7 Lijincheng High Tech Garden,Longhua District,Shenzhen China

