



HDB-B615VUS

5 MP 4-IN-1 Coaxial ColorVu Fixed Bullet Camera



■ Features

- 5MP TVI / CVI / AHD / CVBS 4 in 1 Solution
- 3.6mm Fixed Lens(2.8mm Optional)
- 1/2.8" CMOS Sensor
- Support 2D NR/ 3D NR/Sense-up Functions etc.
- 24H night vision full color
- 2pcs Warm Light , 15m Distance
- Water-proof: IP 66
- Built in mic
- Support UTC Control Function





HDB-B615VUS

5 MP 4-IN-1 Coaxial ColorVu Fixed Bullet Camera

■ Specification

Image Sensor:	1/2.8" CMOS Sensor
Built-in Lens:	3.6mm F1.6 Fixed Lens (2.8mm Optional)
Signal System:	PAL/NTSC
Horizontal Resolution	PAL: 2592*1944@20F/S NTSC: 2592*1944@20F/S
Sync. System:	Internal Sync.
IR LED	2pcs warm light
Light Distance	15-20m
Color temperature	5000k
Minimum Illumination:	0Lux (The warm light Turn on)
Video Output:	TVI / CVI / AHD / CVBS 4in1 Switching Signal Output/1.0Vp~p75Ω
OSD Function	Yes (2D NR/ 3D NR/Sense-up/WDR etc.)
S/N Ratio:	More than 50dB (AGC OFF)
DNR	2DNR
WDR	D-WDR
White Balance:	Auto Tracking White Balance
Shutter Speed:	1/25~1/50,000Sec.
Weather-proof:	IP66
Working Temperature:	-10°C~50°C
Storage Temperature:	-20°C~60°C
Power Requirement:	DC12V, Max Power Consumption Less Than 10W (When the infrared lamps turn on)
Weight:	0.52kg

* Product specifications may change without prior notice.





HDB-B615VUS

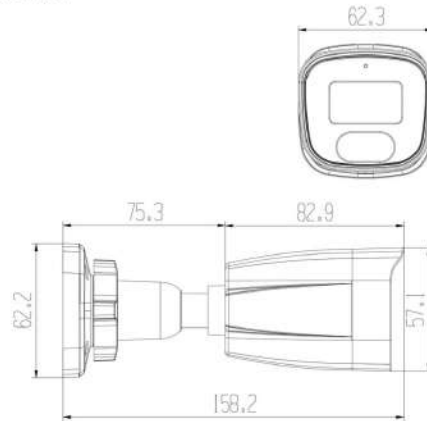
5 MP 4-IN-1 Coaxial ColorVu Fixed Bullet Camera

■ Available Model

HDB-B612VUS HDB-B615VUS (2.8mm/3.6mm)

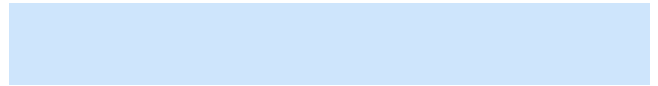
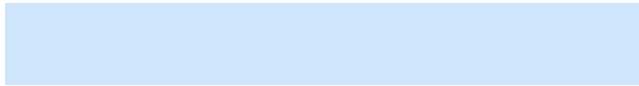
■ Dimension

SIZE:mm



■ Accessory

■ Optional



Uin Technology Co., Ltd.

+86-871 63586112

www.uin-tech.com

4F,Block 7 Lijincheng High Tech Garden,Longhua District,Shenzhen China

