



IPY-D255S

5 MP Built-in Mic Fixed Dome Network Camera



■ Features

- 1/2.8" Sony IMX335 CMOS sensor
- 5MP HD resolution 2592 x 1944 output
- Ultra low illumination 0.01Lux
- Day/Night, AWB, 2D/3D-DNR, IR-CUT, WDR/HDR
- Multiply Style OSD Overlay, Motion Detection, Privacy Mask
- RTSP and Onvif 17.06 compatible with many third-party NVR
- H.264/H.265 dual-stream RTSP media server
- Easy-to-use P2P Cloud service
- Alarm snapshot to FTP and Email
- Storage to NAS via NFS protocol
- Youtube Live via RTMP Protocol
- Support user authentication, video data encryption, HTTPS security access
- Multiply WEB browser compatible, PC Client, Mobile APP remote access
- RJ45 100mbps network port, IEEE802.3af PoE
- Lightning protection 4000V
- Strong vandal-proof water-proof housing, IP66
- 18pcs SMD IR Led, IR distance 20-30 meters
- Wide-angle 2.8 mm fixed lens
- Built-in Mic





■ Specification

Camera

Image Sensor	1/2.8" 5MP IMX335CMOS
Effective Pixels	2592(H)×1944(V)
Electronic Shutter	AUTO, 1/25s ~ 1/100000s
Min. Illumination	0.01Lux@F1.2(AGC ON), 0Lux IR on
Day/Night	Auto/Color/(B/W)/Timing
WDR	Digital WDR
White Balance	Auto/Manual
AGC/BLC/HLC	Support
DNR	2D/3DDNR
Other	Multi-lines OSD, MotionDetection,Privacy Mask, Mirror

Encode

Video Standard	H.264/H.265/h.265+
Video Resolution	Main Stream: 15fps@5MP(2592x1944), 20fps@4MP/3MP, 30fps@1080P/720P Sub Stream: D1/VGA(640x480)/360P/QVGA@30fps
Video Bitrates	64Kbps - 8Mbps, VBR/CBR
Audio Standard	G.711-u/G.711-a/AAC
OSD Overlay	Title and Time overlay

Event Alarm

Motion Detection	Yes
Alarm Trigger Action	Snapshot/recording/APP alert/Email/FTP/Onvif

IR Led

IR Led	18 pcs SMD IR Led
IR Distance	20-30M

Lens

Focal length	2.8 mm fixed lens
--------------	-------------------

Network Services

Protocol	HTTP/HTTPS/RTSP/FTP/SMTP/DHCP/NTP/DST/NFS/RTMP
P2P	Yes
Web	IE/Chrome/Firefox/Edge/Safari
Media	LMS, Android, IOS
ONVIF	17.06 compatible

General

language	English/Chinese/Russian/German/Italian/Korean/Turkish/Pakistan
Network Port	1-RJ45, 100Mbps, PoE48V in
Power Supply	12 VDC ± 10%
Power Consumption	<8W
Operating Temp.	-30°C-(+60)°C, 10%-90%RH
Housing Material	Aluminum Metal





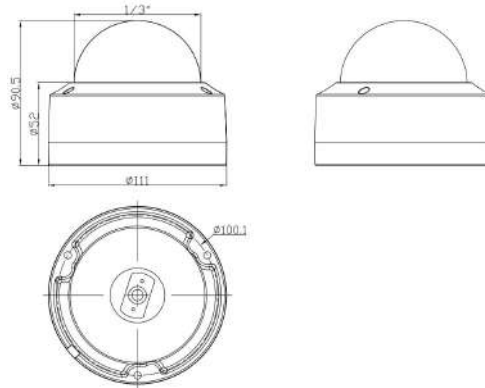
IPY-D255S

5 MP Built-in Mic Fixed Dome Network Camera

■ Available Model

IIPY-D255S IPY-D258S (2.8/3.6mm)

■ Dimension



■ Accessory

■ Optional

JZ-03



JB-07



Uin Technology Co., Ltd.

+86-871 63586112

www.uin-tech.com

4F,Block 7 Lijincheng High Tech Garden,Longhua District,Shenzhen China

