



IPJ-B105VUS

5 MP Built-in Mic Fixed Bullet Network Camera



■ Features

- 1/2.7 Light-sensitive chip
- 5MP HD resolution 2592 x 1944 output
- Ultra low illumination 0.01Lux
- Day/Night, AWB, 2D/3D-DNR, IR-CUT, WDR/HDR
- Multiply Style OSD Overlay, Motion Detection, Privacy Mask
- RTSP and Onvif 17.06 compatible with many third-party NVR
- H.264/H.265 dual-stream RTSP media server :
- Easy-to-use P2P Cloud service
- Alarm snapshot to FTP and Email
- Storage to NAS via NFS protocol
- Youtube Live via RTMP Protocol
- Support user authentication, video data encryption, HTTPS security access
- Multiply WEB browser compatible, PC Client, Mobile APP remote access
- RJ45 100mbps network port, IEEE802.3af PoE
- Lightning protection 4000V
- Strong water-proof housing, IP66
- 2pcs Array IR Led, IR distance 20-30 meters
- 4 mm fixed lens
- Built-in Mic





IPJ-B105VUS

5 MP Built-in Mic Fixed Bullet Network Camera

■ Specification

Camera	Material	60-Aluminum alloy
	Waterproof grade	IP66
	Processor	H581A
	Light-sensitive chip	1/2.7-inch
Camera	Minimum Illumination	1/2.7" CMOS 0.1Lux/F1.2(Daytime); 0.02Lux/F1.2(Night)
	Shutter	1/25--1/10000S
	Lens	4mm
	Day and night conversion	Sensor Automatic brightness switching and manual mode, ICR infrared filter type
Camera	Infrared light irradiation distance	30M (Varies by environment)
	Digital Noise Reduction	Support 2D/3D digital noise reduction
	Digital Wide Dynamic	Support
	Video Compression	Smart H.265 -PROFILE-MAIN
Audio and Video	Video bitrate	32 Kbps~ 8Mbps
	Audio compression	G.711
	Audio bit rate	Audio compression bit rate adaptive
	Listening	Support pickup function
Images	Image size support	2880x1620(5M), 2560x1440(4M), 2304*1296(3M) 1920*1080(1080P) , 1280*960(960P) , 1280*720(720P) , 704*576(D1) , 640*480(VGA), 352*288(CIF) , 176*144(QVGA)
	Pixel size	2.2um(H)*2.2um(V)
	Frame Rate	5MP 20 fps(day)/10 fps(night)
	AD sampling accuracy	32 bit
	Area of interest	Supports setting up to 8 ROI zones
	Mirroring	Supports horizontal, vertical and diagonal mirroring
	Privacy masking	Supports 4 groups of masking block settings
Image Settings	Adjustable brightness, contrast, saturation, gain, shutter, white balance, etc.	
Network Functions	Smart Alarm	Motion detection, blocking alarm, video loss, network cable disconnection, IP address conflict
	Interface Protocols	PrivateAgreement/ONVIFV/TCP/IP,DHCP,HTTP,HTTPS,NTP, DNS,RTP,RTSP
	General Functions	One-click recovery, dual stream, heartbeat, mirroring, video masking, anonymous access, etc.
Connector	Power connector	Φ5.5 round head power connector, RJ-45 connector interface-48V POE power supply
	Network Interface	RJ45 network port (10/100M Adaptive Ethernet port)
Cloud Services	Cloud Platform	Alibaba Cloud
	APP	AVIEW
	Cloud Storage	Alibaba Cloud
	PC Client	AMS
General Specifications	Temperature and humidity	-30°C~50°C, 10%~90 (No condensation)
	Power input	DC12V±10%
	Power consumption	12W MAX , Night vision not included
Computer requirements	Operating System	Microsoft Windows XP/WIN7
	Browser	Microsoft Internet Explorer 6.0above
	Hardware Requirements	CPU: Intel Core 2 Duo E4600 / 2.4 GHz or aboveMemory: 1GB or aboveVideo Cards: Nvidia GeForce 8600 GT or aboveNetwork Card: 10/100MbpsNetwork Card
Default Settings	Language	Chinese/ English
	IP Address	192.168.1.217
	User Name	admin
	Password	admin
	Computer save path	D:\IPCamera
	Automatic reboot	Close
	Device side authentication	Disable
	Clock Settings	Keeps synchronization with PC off, automatically synchronizes with internet clock server off
	Code stream open state	Main stream: 8M Sub stream: VGA
	Main stream Frame rate	18
	Main code stream Code rate	4096
	Main stream 1 frame interval	80
	Sub-stream Frame rate	15
Sub-code stream Code rate	512	
From stream I Frame interval	45	
From Code Stream Code Rate Control	Variable code rate / fixed code rate	

* Product specifications may change without prior notice.





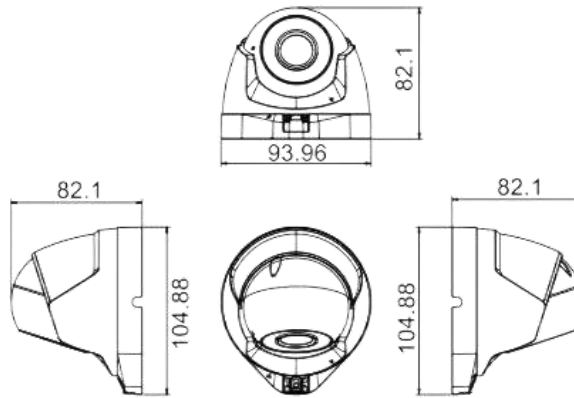
IPJ-B105VUS

5 MP Built-in Mic Fixed Bullet Network Camera

■ Available Model

IPJ-B103VUS IPJ-B105VUS IPJ-B108VUS (4mm)

■ Dimension



■ Accessory

■ Optional

JB-08



Uin Technology Co., Ltd.

+86-871 63586112

www.uin-tech.com

4F,Block 7 Lijincheng High Tech Garden,Longhua District,Shenzhen China

