



IPB-Z35512S

5 MP 12X IR Network Speed Dome



■ Features

- H.265+/H.265/H.264 5MP IP/Network Mini IR Outdoor PTZ Camera
- Up to 5 megapixel high resolution
- Max. 2592*1944@15fps(50HZ/60HZ)/2560*1440@20fps(50HZ/60HZ)
- Support RTSP&Onvif(2.4+Media2 Version)
- Compatible with many third-party NVRs and CMS
- Support multiply Web Browsers: IE/Firefox/Chrome/Safari etc.
- P2P Cloud service
- Free PC Client Software and Smartphone APP(P2P)
- Support Alarm Snapshot to Email and FTP
- Day/Night, AWB/MWB,BLC, 3D-DNR,Shutter, IR-CUT
- D-WDR,Mirror, Image Flip etc. Functions
- Audio in/out Optional (RCA Cable Interface)
- 12V DC (PoE Optional)
- 5~60mm 12X motor lens
- IR range: up to 35m
- Water-proof: IP66
- Pan:0~355°(45°/s)/Tilt:0~90°(25°/s)/Zoom 12X





■ Specification

Camera

Image Sensor:	1/2.7" 5MP Progressive Scan CMOS
Signal System:	PAL/NTSC
Min. Illumination:	Color: 0.05lux @(F1.2, AGC ON), 0 lux with IR
Shutter Time:	1/25 s to 1/100,000 s
Lens:	5~60mm 12X motor lens
Day&Night:	IR cut filter with auto switch
Image Enhancement:	BLC/3D DNR/D-WDR
Motion Detection	Support
Privacy Protection	Support(4 Self-customized Areas)
Water-Proof:	IP66
Illumination for Infrared Switching:	1~3Lux
Infrared Wavelength:	850nm
Minimum Illumination:	0 Lux(IR ON)
IR Range:	2pcs Strong LED, up to 30m

Compression Standard

Video Compression:	H.265+/H.265/H.264/MJPEG
Video Bit Rate:	500Kbps~6144Kbps(CBR/VBR Selectable)
Audio Compression:	G711U/G711A
Dual Streams:	Yes
Triple Streams:	/

Image

Max. Image Resolution:	2592×1944(5MP)@15fps
Frame Rate:	50/60Hz: Max.: 5MP(2592*1944)@15fps; 4MP/3MP/2MP/720P(2560*1440/2048*1520/2304*1296/1920*1080/1280*720)@25fps
Sub Stream:	50Hz/60Hz: Max. (D1/VGA/640*360/480*360/CIF)@25fps/30fps
Third Stream(Mobile Stream):	/
Image Settings:	3D NR, D-WDR, Image Flip, Saturation, Brightness, Contrast, Sharpness adjustable via client software, web browser or Smartphone App
Day/Night Switch:	Auto/Timing/External/Manual

Network

Network Protocols:	HTTP, TCP/IP, IPv4, UPNP, RTSP, RTMP, SMTP, NTP, DHCP, DNS, IP Filter, PPPOE, DDNS etc.
General Function:	Anti-Flicker, heartbeat, mirror, password protection, privacy mask, Watermark
System Compatibility:	ONVIF(2.4+ Media2)/Private
On-line Viewing	Max. Support 6 Users Simultaneously

Interface

Communication Interface:	1 RJ45 10M / 100M Ethernet Interface
RCA Audio Interface:	RCA Audio input/output Interface (Optional)
DC Power Plug:	DC Power Female Interface

General

Operating Conditions:	-10 °C ~ 60 °C
Power Supply:	Humidity 95% or less (non-condensing) 12 V DC ± 10%/PoE(Optional)
Power Consumption:	12 VDC ± 10%, Max Power Consumption Less than 10W(When the infrared lamps turn on)
Weight:	0.98KG





IPB-Z35505S

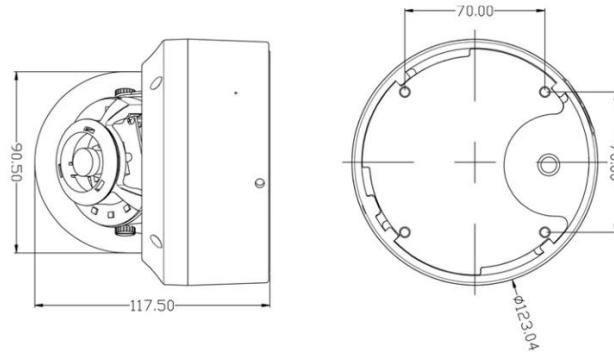
5 MP 12X IR Network Speed Dome

■ Available Model

IPB-Z35505S (5X) IPB-Z35512S (12X)

■ Dimension

SIZE:mm



■ Accessory

■ Optional

ZJ-05



Uin Technology Co., Ltd.

+86-871 63586112

www.uin-tech.com

4F,Block 7 Lijincheng High Tech Garden,Longhua District,Shenzhen China

