



IPY-D365LDS2

5 MP Dual LED (IR & Color Vu) Fixed Turret Network Camera



■ Features

- 1/2.8" Sony CMOS sensor
- 5MP HD resolution 2592 x 1944
- Low illumination 0.01Lux
- Day/Night, AWB/MWB, BLC, HLC, 2D/3D-DNR, Shutter, IR-CUT
- D-WDR, Mirror, rotate, Defogging
- Multiply Style OSD Overlay, Motion Detection, Privacy Mask
- RTSP and Onvif 17.06 compatible with many third-party NVR
- H.264/H.265 dual-stream media server
- Easy-to-use P2P Cloud service
- Support user authentication, video data encryption
- Support Alarm Snapshot to Email and FTP
- Multiply WEB browser IE, Firefox 32bit ESR, PC Client, Mobile APP remote access
- RJ45 100mbps network port, IEEE802.3af PoE
- Lightning protection 4000V
- Strong water-proof housing, IP66
- 2 pcs warm lights, distance 20-30 meters
- F1.0 2.8 mm fixed lens
- Built-in Mic and speaker two-way audio





IPY-D365LDS2

5 MP Dual LED (IR & Color Vu) Fixed Turret Network Camera

■ Specification

Camera

Image Sensor	1/2.8" Sony CMOS
Effective Pixels	5 megapixels
Electronic Shutter	AUTO, 1/25s ~ 1/100000s
Min. Illumination	0.01Lux@F1.2(AGC ON), 0Lux IR on
Day/Night	Auto/Color/(B/W)/Timing
WDR	Digital WDR
White Balance	Auto/Manual
BLC /HLC	Support
DNR	2D/3D DNR
Other	AGC,Motion Detection,Privacy Mask,Flip ,OSD overlay

Encode

Video Standard	H.264/H.265
Video Resolution	Main Stream: 25fps@5MP(2592*1944)/4MP/3MP/1080P/720P,etc. Sub stream: 720x480/VGA(640x480)/360P/QVGA@30fps,etc.
Video Bitrates	512Kbps - 12Mbps, VBR/CBR
Audio Standard	G.711-u/G.711-a
Built-in Mic	Yes
Built-in Speaker	Yes Two-way audio
Smart Detection	Human and Vehicle Detection

Led

Led	2pcs warm light Led
Distance	20-30M

Lens

Focal length	F1.0 2.8mm/3.6mm fixed lens
--------------	-----------------------------

Optional Function

PoE

Network Services

Protocol	HTTP/RTSP/FTP/SMTP/DHCP/NTP/NFS, etc.
P2P	Yes
Web	IE , Firefox (32bit esr), etc.
Media	CMS, Android, IOS
ONVIF	17.06 compatible

General

Network Port	1-RJ45, 100Mbps,POE optional
Power Supply	12 VDC ± 10%
Power Consumption	<8 W
Operating Temp.	-30°C-(+60)°C, 10%-90%RH

* Product specifications may change without prior notice.





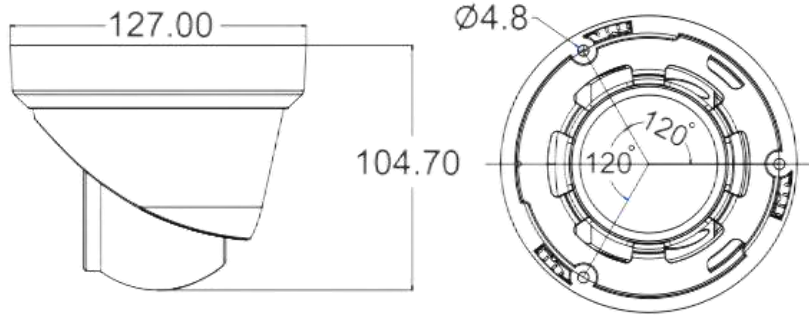
IPY-D365LDS2

5 MP Dual LED (IR & Color Vu) Fixed Turret Network Camera

■ Available Model

IPY-D365LDS2 (2.8/3.6mm)

■ Dimension



■ Accessory

■ Optional

ZJ-02



JB-04



Uin Technology Co., Ltd.

+86-871 63586112

www.uin-tech.com

4F,Block 7 Lijincheng High Tech Garden,Longhua District,Shenzhen China

